



SUZUKI

PARTS CATALOGUE

UZ125

UZ125NEM0 (MB8DP12DLK)
UZ125NHM0 (MB8DP12DLK)
UZ125NDM0 (MB8DP12DLK)
UZ125NEYM0 (MB8DP12DLK)
UZ125NDYM0 (MB8DP12DLK)

Access125
**COMBINED
BRAKE**

NOV-2019

1ST EDITION

UZ125NEM0



COLOR CODE	DESCRIPTION
PGZ	SUZUKI ACCESS-125 (GREY)



COLOR CODE	DESCRIPTION
YBA	SUZUKI ACCESS-125 (BLUE)



COLOR CODE	DESCRIPTION
YVB	SUZUKI ACCESS-125 (BLACK)



COLOR CODE	DESCRIPTION
YPA	SUZUKI ACCESS-125 (WHITE)



COLOR CODE	DESCRIPTION
SAB	SUZUKI ACCESS-125 (SILVER)

UZ125NHM0



COLOR CODE	DESCRIPTION
YBA	SUZUKI ACCESS-125 (BLUE)



COLOR CODE	DESCRIPTION
YVB	SUZUKI ACCESS-125 (BLACK)



COLOR CODE	DESCRIPTION
YPA	SUZUKI ACCESS-125 (WHITE)



COLOR CODE	DESCRIPTION
SAB	SUZUKI ACCESS-125 (SILVER)

UZ125NDM0



COLOR CODE	DESCRIPTION
YBA	SUZUKI ACCESS-125 (BLUE)



COLOR CODE	DESCRIPTION
YVB	SUZUKI ACCESS-125 (BLACK)



COLOR CODE	DESCRIPTION
YPA	SUZUKI ACCESS-125 (WHITE)



COLOR CODE	DESCRIPTION
SAB	SUZUKI ACCESS-125 (SILVER)

UZ125NEYM0



COLOR CODE	DESCRIPTION
QTZ	SUZUKI ACCESS-125 (GREENISH BLUE)



COLOR CODE	DESCRIPTION
QMV	SUZUKI ACCESS-125 (RED)



COLOR CODE	DESCRIPTION
YPA	SUZUKI ACCESS-125 (WHITE)



COLOR CODE	DESCRIPTION
YKV	SUZUKI ACCESS-125 (MAT. BLACK)

UZ125NDYM0



COLOR CODE	DESCRIPTION
QTZ	SUZUKI ACCESS-125 (GREENISH BLUE)



COLOR CODE	DESCRIPTION
QMV	SUZUKI ACCESS-125 (RED)



COLOR CODE	DESCRIPTION
YPA	SUZUKI ACCESS-125 (WHITE)



COLOR CODE	DESCRIPTION
YKV	SUZUKI ACCESS-125 (MAT. BLACK)

INFORMATION
ILLUSTRATION INDEX

1

ENGINE
TRANSMISSION

2

ELECTRICAL

3

BODY

4

PARTS NUMBER INDEX

5

ACCESSORIES

6

FIG. NO.	TITLE	ADDRESS NO.
102A	CYLINDER HEAD COVER	1-B-2
103A	CYLINDER HEAD	1-B-3
107A	CYLINDER	1-B-4
108A	CRANKCASE	1-B-5
112A	CRANKCASE COVER	1-B-6
120A	CRANKSHAFT	1-B-7
126A	CAMSHAFT/VALVE	1-B-8
127A	CAM CHAIN	1-B-9
140A	THROTTLE BODY	1-B-10
155A	AIR CLEANER	1-B-11
163A	MUFFLER	1-B-12
170A	OIL PUMP	1-B-13
172A	FUEL PUMP	1-B-14
181A	COOLING FAN	1-B-15
210A	TRANSMISSION (1)	1-B-16
211A	TRANSMISSION (2)	1-C-2
240A	KICK STARTER	1-C-3
301A	STARTING MOTOR	1-C-4
303A	MAGNETO	1-C-5
310A	BATTERY	1-C-6
312A	ELECTRICAL	1-C-7
330A	SPEEDOMETER (UZ125NE,UZ125NEY,UZ125ND, UZ125NDY)	1-C-8
330B	SPEEDOMETER (UZ125NH)	1-C-9
333A	HEADLAMP	1-C-10
335A	FRONT TURNSIGNAL LAMP	1-C-11
339A	REAR COMBINATION LAMP	1-C-12
350A	WIRING HARNESS (UZ125ND,UZ125NE)	1-C-13
350B	WIRING HARNESS (UZ125NDY,UZ125NEY)	1-C-14
352A	LOCK SET	1-C-15
401A	FRAME	1-C-16
405A	BATTERY HOLDER (UZ125NE,UZ125NEY)	1-D-2
405B	BATTERY HOLDER (UZ125NH,UZ125ND,UZ125NDY)	1-D-3
407A	STAND	1-D-4
415A	FOOTREST	1-D-5
420A	FUEL TANK	1-D-6
427A	EVAP SYSTEM	1-D-7
435A	FRONT LEG SHIELD (UZ125NE)	1-D-8
435B	FRONT LEG SHIELD (UZ125NH,UZ125ND)	1-D-9
435C	FRONT LEG SHIELD (UZ125NDY,UZ125NEY)	1-D-10
438A	SIDE LEG SHIELD (UZ125NE)	1-D-11

FIG. NO.	TITLE	ADDRESS NO.
438B	SIDE LEG SHIELD (UZ125NH,UZ125ND)	1-D-12
438C	SIDE LEG SHIELD (UZ125NDY,UZ125NEY)	1-D-13
440A	REAR LEG SHIELD (UZ125NE)	1-D-14
440B	REAR LEG SHIELD (UZ125NH,UZ125ND)	1-D-15
440C	REAR LEG SHIELD (UZ125NDY)	1-D-16
440D	REAR LEG SHIELD (UZ125NEY)	1-E-2
445A	FRAME COVER (UZ125NE)	1-E-3
445A	FRAME COVER (UZ125NE)	1-E-4
445B	FRAME COVER (UZ125NH,UZ125ND)	1-E-5
445B	FRAME COVER (UZ125NH,UZ125ND)	1-E-6
445C	FRAME COVER (UZ125NDY,UZ125NEY)	1-E-7
445C	FRAME COVER (UZ125NDY,UZ125NEY)	1-E-8
456A	HELMET BOX	1-E-9
460A	FRONT FENDER (UZ125NE)	1-E-10
460B	FRONT FENDER (UZ125NH,UZ125ND)	1-E-11
460C	FRONT FENDER (UZ125NDY,UZ125NEY)	1-E-12
462A	HANDLEBAR (UZ125NE)	1-E-13
462B	HANDLEBAR (UZ125NEY)	1-E-14
462C	HANDLEBAR (UZ125NH,UZ125ND)	1-E-15
462D	HANDLEBAR (UZ125NDY)	1-E-16
463A	HANDLE COVER (UZ125NE)	1-F-2
463B	HANDLE COVER (UZ125NH,UZ125ND)	1-F-3
463C	HANDLE COVER (UZ125NDY,UZ125NEY)	1-F-4
467A	HANDLE LEVER (UZ125NE,UZ125NEY)	1-F-5
467B	HANDLE LEVER (UZ125NH,UZ125ND,UZ125NDY)	1-F-6
474A	REAR FENDER	1-F-7
496A	LABEL (UZ125NE,UZ125NEY)	1-F-8
496B	LABEL (UZ125NH,UZ125ND,UZ125NDY)	1-F-9
505A	SEAT (UZ125NE,UZ125NH,UZ125ND)	1-F-10
505B	SEAT (UZ125NDY,UZ125NEY)	1-F-11
521A	FRONT FORK DAMPER (UZ125NE)	1-F-12
521B	FRONT FORK DAMPER (UZ125NH,UZ125ND)	1-F-13
521C	FRONT FORK DAMPER (UZ125NEY)	1-F-14
521D	FRONT FORK DAMPER (UZ125NDY)	1-F-15
521D	FRONT FORK DAMPER (UZ125NDY)	1-F-16
524A	STEERING STEM (UZ125NH,UZ125ND,UZ125NDY)	1-G-2
524B	STEERING STEM (UZ125NE,UZ125NEY)	1-G-3
530A	FRONT WHEEL (UZ125NH)	1-G-4
530B	FRONT WHEEL (UZ125ND)	1-G-5
530C	FRONT WHEEL (UZ125NE)	1-G-6
530D	FRONT WHEEL (UZ125NDY)	1-G-7

FIG. NO.	TITLE	ADDRESS NO.
530E	FRONT WHEEL (UZ125NEY)	1-G-8
531A	FRONT WHEEL BRAKE (UZ125NH,UZ125ND, UZ125NDY)	1-G-9
535A	FRONT CALIPER (UZ125NE,UZ125NEY)	1-G-10
537A	FRONT MASTER CYLINDER (UZ125NE,UZ125NEY)	1-G-11
545A	REAR SHOCK ABSORBER (UZ125NH,UZ125ND, UZ125NDY)	1-G-12
545B	REAR SHOCK ABSORBER (UZ125NE,UZ125NEY)	1-G-13
550A	REAR WHEEL (UZ125NH)	1-G-14
550B	REAR WHEEL (UZ125NE)	1-G-15
550C	REAR WHEEL (UZ125ND)	1-G-16
550D	REAR WHEEL (UZ125NEY)	1-H-2
550E	REAR WHEEL (UZ125NDY)	1-H-3
970A	(FRONT LICENSE PLATE)	1-H-4
970B	OPTIONAL(REAR FOOTREST SIDE TUBE SET)	1-H-5
970C	OPTIONAL (METER VISOR)	1-H-6
970D	OPTIONAL (UZ125NE,UZ125NH,UZ125ND) (SOCKET SET, USB)	1-H-7

PREFACE

When it becomes necessary to replace parts on SUZUKI MOTORCYCLES, always use SUZUKI GENUINE PARTS which have passed a strict inspection which guarantees quality and performance.

This parts catalogue covers the list of all service parts for SUZUKI UZ125NEM0, UZ125NHM0, UZ125NDM0, UZ125NDYM0, UZ125NEYM0.

INSTRUCTIONS FOR QUOTING THE CATALOGUE

1. DIMENSIONS

Dimensions of the parts in this catalogue are indicated in unit millimeters.

2. ABBREVIATIONS

Abbreviations used in this catalogue are as follows:

AR	: As required	NT	: Number of teeth
ASSY	: Assembly	OPT	: Optional
E.NO.	: Engine number	OS	: Over size
F.NO.	: Frame number	STD	: Standard
D	: Diameter of material	T	: Thickness
ID	: Inside diameter	US	: Under size
OD	: Outside diameter	W	: Width
L	: Length		
LH	: Left hand side		
RH	: Right hand side		
~ 100045	: Up to F.NO.A100-100045		
100046~	: From F.NO.A100-100046		

12 x 34 x 5.6..... Figures in the description column
| | | show the dimensions of parts.

ID OD T(or,W,L)

→ 12345-56781 (Parts No.) : indicates that the parts number was changed to 12345-56781 and the new parts are interchangeable with the former ones but the former ones are not interchangeable with new ones.

← 12345-56781 (Parts No.) : indicates that the former and new parts are interchangeable with each other and both are usable.

3) INNER PARTS OF ASSEMBLY

Part name with a dot (.) in front as shown in the description column indicates the component of the assembly also available individually.

4) MODIFICATION NOTICE

A parts bulletin will be sent to you on all occasions when changes in parts occur, including interchangeable modifications between new parts and old ones.

5. NOTE

5-1. There are some different parts from those of production models among spare parts for the administrative reasons and common use of them with other models.

5-2. In respect of rubber hoses and vinyl tubes, please be sure to use them by cutting off according to the length mentioned on parts catalogue or what is actually required on the vehicle.

5-3. Note that the drawings on the illustration page are for ready reference of spare parts number, not to be used as an assembly manual.

When assembling, use "SUZUKI SERVICE MANUAL".

6. SPECIFICATION CODE

This catalogue contains the parts for the model designed for the following spec.; spec. code : P74.

7. SERIAL FRAME NUMBER

UZ125NEM0 :MB8DP12DLK8100163~
UZ125NHM0 :MB8DP12DLK8100133~
UZ125NDM0 :MB8DP12DLK8100198~
UZ125NDYM0 :MB8DP12DLK8100228~
UZ125NEYM0 :MB8DP12DLK8100248~

*Note

1) 9th Digit of frame number signifies month of production

MONTH	CODE
January	A
February	B
March	C
April	D
May	E
June	F
July	G
August	H
September	J
October	K
November	L
December	M

2) 10th digit of frame no signifies year of production

YEAR	CODE
2010	A
2011	B
2012	C
2013	D
2014	E
2015	F
2016	G
2017	H
2018	J
2019	K

1

**COLOUR CHART
TABLEAU COULEURS**

COLOR NO. NO DE COULEUR	COLOUR DESCRIPTION DESCRIPTION DE COULEUR	COLOR NO. NO DE COULEUR	COLOUR DESCRIPTION DESCRIPTION DE COULEUR
019	SLD.BLACK		
13L	STITCHI WHITE		
17U	MET.URBAN GRAY		
291	SLD.BLACK 50% GLOSS		
AVT	P79,PUM		
B0D	YD8,QMV		
BEZ	QJD,QJG		
CTY	YD8,YKV		
FJA	YMD,YKV		
P79	LTHR.SUNTAN BROWN		
PUM	STITCHI WHITE		
QJD	LTHR.DARK RED		
QJF	APNACOLOR INSTRUCTION2		
QJG	STITCH BLACK		
QMV	MET.MAT BORDEAUX RED		
U1G	06 MAROON		
YD8	MET.SONIC SILVER		
YHF	MET.PHANTOM GRAY		
YKV	MET.MAT BLACK NO.2		
YMD	MET.MYSTIC SILVER		
YPA	PRL.MIRAGE WHITE		
YVB	GL.SPARKLE BLACK		

MILLIMETER → INCH CONVERSION CHART

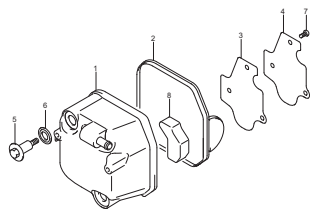
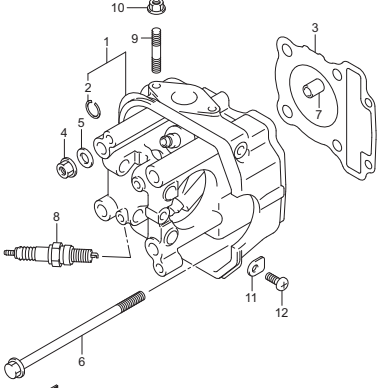
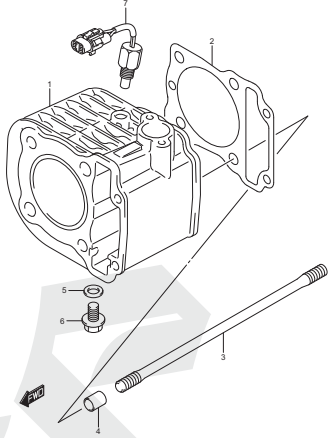
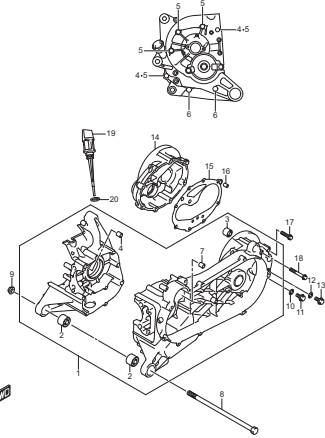
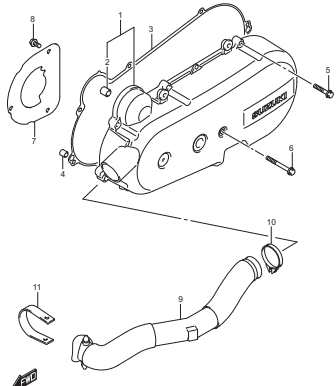
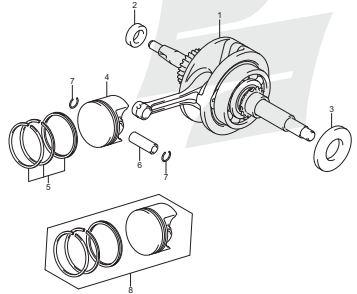
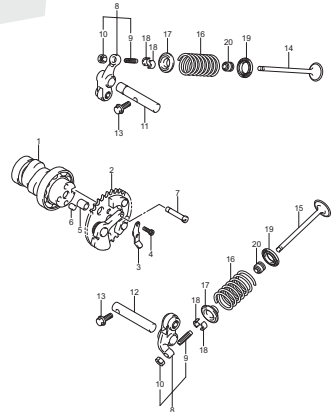
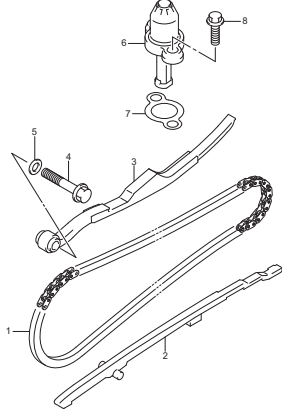
	0	1	2	3	4	5	6	7	8	9
00	.000	.039	.079	.118	.157	.197	.236	.276	.315	.354
10	.394	.433	.472	.512	.551	.591	.630	.669	.709	.748
20	.787	.827	.866	.906	.945	.984	1.024	1.063	1.102	1.142
30	1.181	1.220	1.260	1.299	1.339	1.378	1.417	1.457	1.496	1.535
40	1.575	1.614	1.654	1.693	1.732	1.772	1.811	1.850	1.890	1.929
50	1.969	2.008	2.047	2.087	2.126	2.165	2.205	2.214	2.283	2.323
60	2.362	2.402	2.441	2.480	2.520	2.559	2.598	2.638	2.677	2.717
70	2.756	2.795	2.835	2.874	2.913	2.953	2.992	3.031	3.071	3.110
80	3.150	3.189	3.228	3.268	3.307	3.346	3.386	3.426	3.465	3.504
90	3.543	3.583	3.622	3.622	3.701	3.740	3.780	3.819	3.858	3.896

How to read

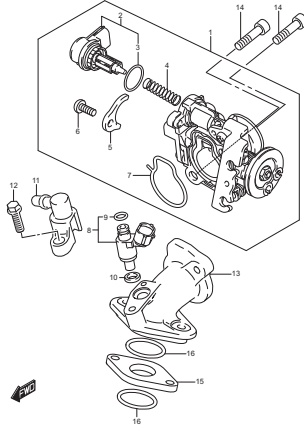
	0	1	2	3	4
00	---	---	---	---	---
10	---	---	---	---	---
20	---	---	---	0.906	---
30	---	---	---	---	---

23 millimeters equal 0.906 inch

Contents are subject to change without notice or obligation.

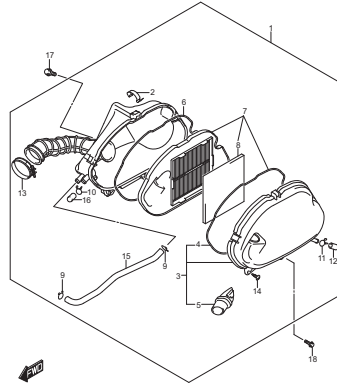
<p>102A CYLINDER HEAD COVER (B-2)</p>  <p>UZ125NEM0_P74_102A CYLINDER HEAD COVER</p>	<p>103A CYLINDER HEAD (B-3)</p>  <p>UZ125NEM0_P74_103A CYLINDER HEAD</p>	<p>107A CYLINDER (B-4)</p>  <p>UZ125NEM0_P74_107A CYLINDER</p>	<p>108A CRANKCASE (B-5)</p>  <p>UZ125NEM0_P74_108A CRANKCASE</p>
<p>112A CRANKCASE COVER (B-6)</p>  <p>UZ125NEM0_P74_112A CRANKCASE COVER</p>	<p>120A CRANKSHAFT (B-7)</p>  <p>UZ125NEM0_P74_120A CRANKSHAFT</p>	<p>126A CAMSHAFT/VALVE (B-8)</p>  <p>UZ125NEM0_P74_126A CAMSHAFT/VALVE</p>	<p>127A CAM CHAIN (B-9)</p>  <p>UZ125NEM0_P74_127A CAM CHAIN</p>

140A THROTTLE BODY (B-10)



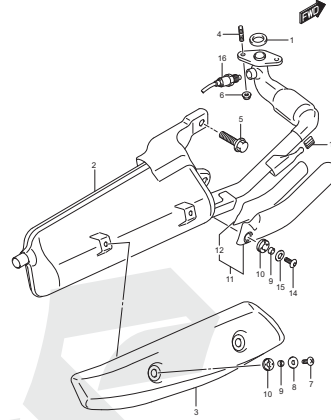
UZ125NEM0_P74_140A
THROTTLE BODY

155A AIR CLEANER (B-11)



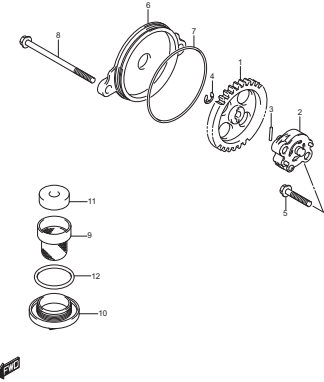
UZ125NEM0_P74_155A
AIR CLEANER

163A MUFFLER (B-12)



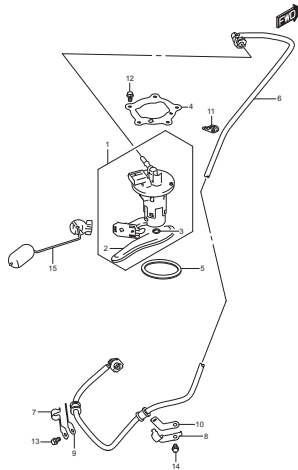
UZ125NEM0_P74_163A
MUFFLER

170A OIL PUMP (B-13)



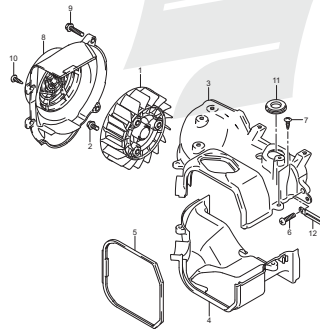
UZ125NEM0_P74_170A
OIL PUMP

172A FUEL PUMP (B-14)



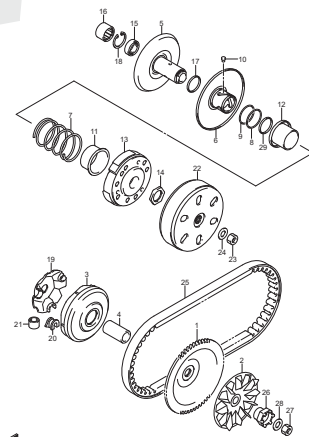
UZ125NEM0_P74_172A
FUEL PUMP

181A COOLING FAN (B-15)



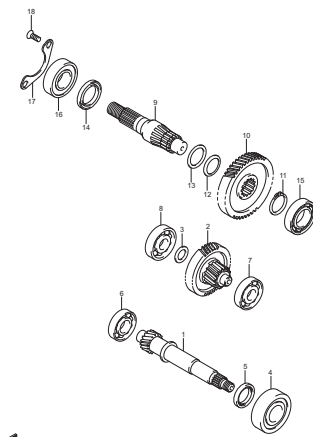
UZ125NEM0_P74_181A
COOLING FAN

210A TRANSMISSION (1) (B-16)

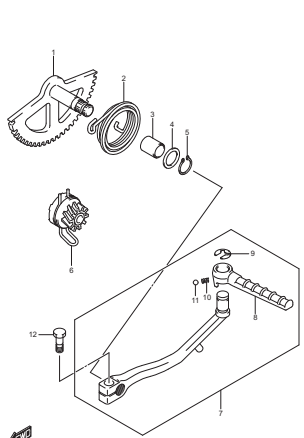
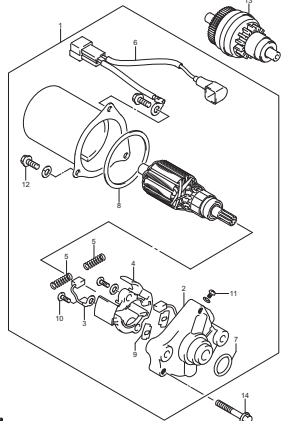
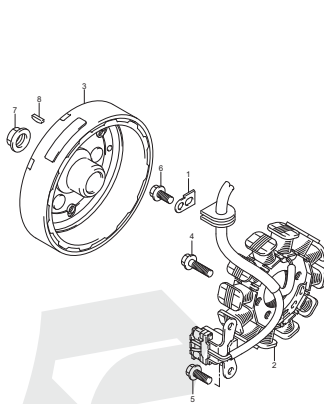
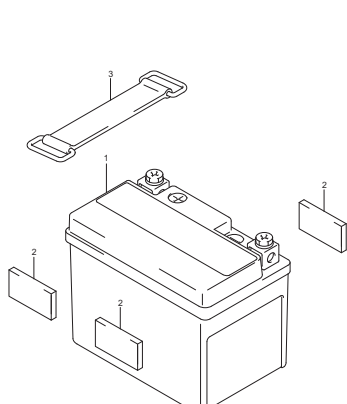
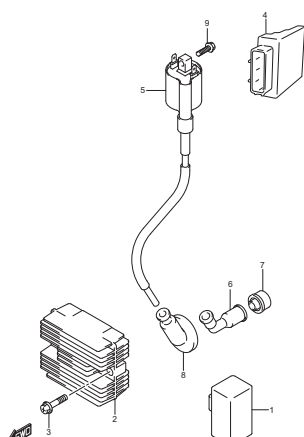
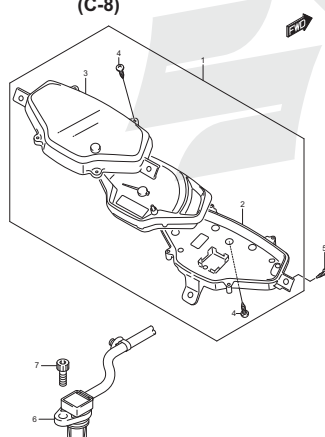
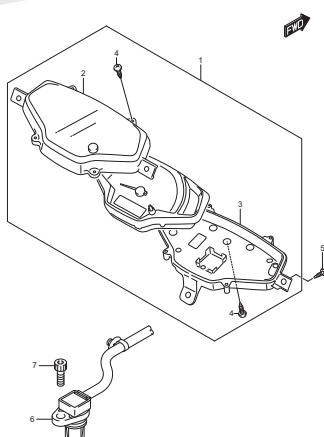
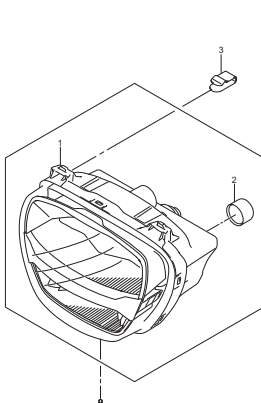


UZ125NEM0_P74_210A
TRANSMISSION (1)

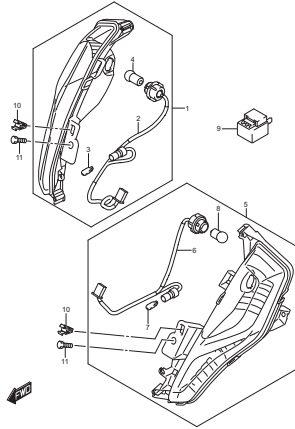
211A TRANSMISSION (2) (C-2)



UZ125NEM0_P74_211A
TRANSMISSION (2)

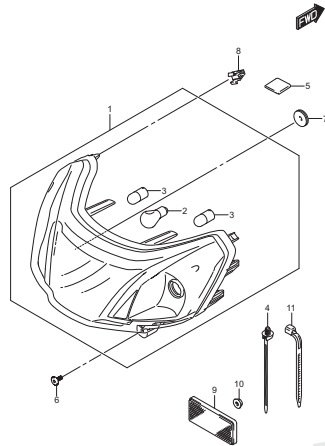
<p>240A KICK STARTER (C-3)</p>  <p>UZ125NEM0_P74_240A KICK STARTER</p>	<p>301A STARTING MOTOR (C-4)</p>  <p>UZ125NEM0_P74_301A STARTING MOTOR</p>	<p>303A MAGNETO (C-5)</p>  <p>UZ125NEM0_P74_303A MAGNETO</p>	<p>310A BATTERY (C-6)</p>  <p>UZ125NEM0_P74_310A BATTERY</p>
<p>312A ELECTRICAL (C-7)</p>  <p>UZ125NEM0_P74_312A ELECTRICAL</p>	<p>330A SPEEDOMETER (UZ125NE, UZ125NEY,UZ125ND,UZ125NDY) (C-8)</p>  <p>UZ125NEM0_P74_330A SPEEDOMETER (UZ125NE, UZ125NEY,UZ125ND,UZ125NDY)</p>	<p>330B SPEEDOMETER (UZ125NH) (C-9)</p>  <p>UZ125NEM0_P74_330B SPEEDOMETER (UZ125NH)</p>	<p>333A HEADLAMP (C-10)</p>  <p>UZ125NEM0_P74_333A HEADLAMP</p>

335A FRONT TURN SIGNAL LAMP (C-11)



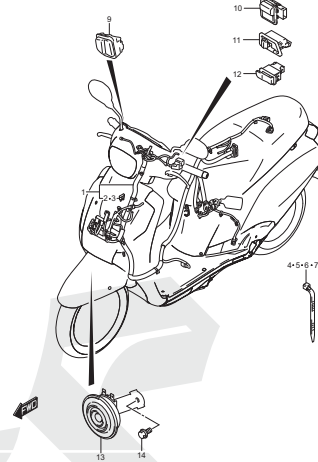
UZ125NEM0_P74_335A
FRONT TURN SIGNAL LAMP

339A REAR COMBINATION LAMP (C-12)



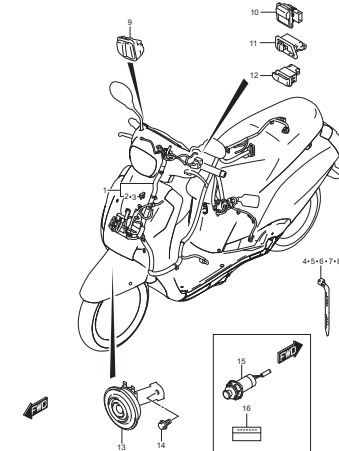
UZ125NEM0_P74_339A
REAR COMBINATION LAMP

350A WIRING HARNESS (UZ125ND,UZ125NE) (C-13)



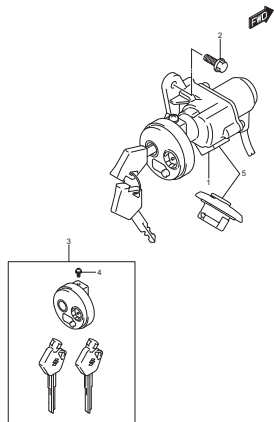
UZ125NEM0_P74_350A
WIRING HARNESS (UZ125ND,UZ125NE)

350B WIRING HARNESS (UZ125NDY,UZ125NEY) (C-14)



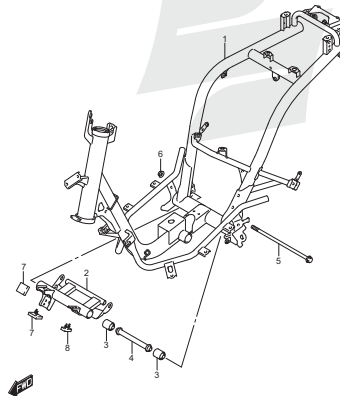
UZ125NEM0_P74_350B
WIRING HARNESS (UZ125NDY,UZ125NEY)

352A LOCK SET (C-15)



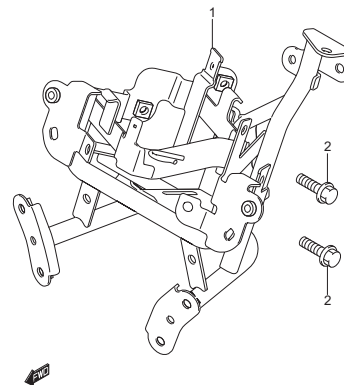
UZ125NEM0_P74_352A
LOCK SET

401A FRAME (C-16)



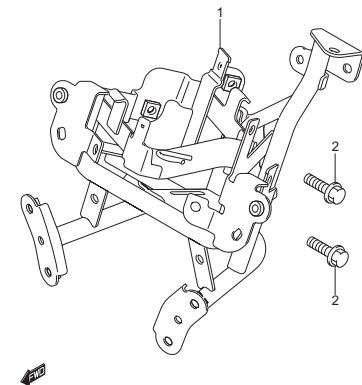
UZ125NEM0_P74_401A
FRAME

405A BATTERY HOLDER (UZ125NE,UZ125NEY) (D-2)



UZ125NEM0_P74_405A
BATTERY HOLDER (UZ125NE,UZ125NEY)

405B BATTERY HOLDER (UZ125NH,UZ125ND,UZ125NDY) (D-3)



UZ125NEM0_P74_405B
BATTERY HOLDER (UZ125NH,UZ125ND,UZ125NDY)

407A STAND (D-4)

**UZ125NEM0_P74_407A
STAND**

415A FOOTREST (D-5)

**UZ125NEM0_P74_415A
FOOTREST**

420A FUEL TANK (D-6)

**UZ125NEM0_P74_420A
FUEL TANK**

427A EVAP SYSTEM (D-7)

**UZ125NEM0_P74_427A
EVAP SYSTEM**

435A FRONT LEG SHIELD (UZ125NE) (D-8)

**UZ125NEM0_P74_435A
FRONT LEG SHIELD (UZ125NE)**

435B FRONT LEG SHIELD (UZ125NH,UZ125ND) (D-9)

**UZ125NEM0_P74_435B
FRONT LEG SHIELD (UZ125NH,UZ125ND)**

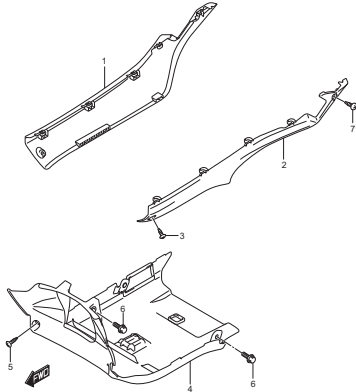
435C FRONT LEG SHIELD (UZ125NDY,UZ125NEY) (D-10)

**UZ125NEM0_P74_435C
FRONT LEG SHIELD (UZ125NDY,UZ125NEY)**

438A SIDE LEG SHIELD (UZ125NE) (D-11)

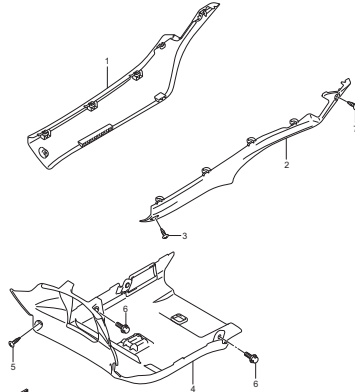
**UZ125NEM0_P74_438A
SIDE LEG SHIELD (UZ125NE)**

438B SIDE LEG SHIELD (UZ125NH,UZ125ND) (D-12)



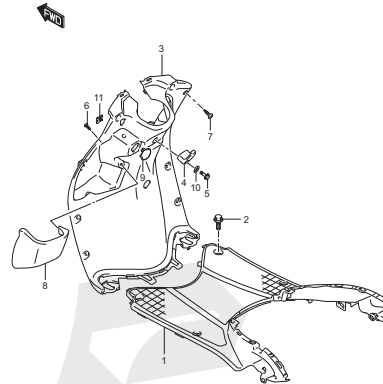
UZ125NEM0_P74_438B
SIDE LEG SHIELD (UZ125NH,UZ125ND)

438C SIDE LEG SHIELD (UZ125NDY,UZ125NEY) (D-13)



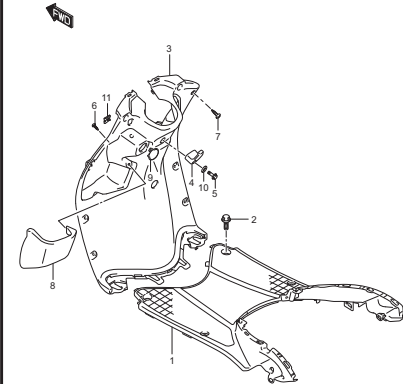
UZ125NEM0_P74_438C
SIDE LEG SHIELD (UZ125NDY,UZ125NEY)

440A REAR LEG SHIELD (UZ125NE) (D-14)



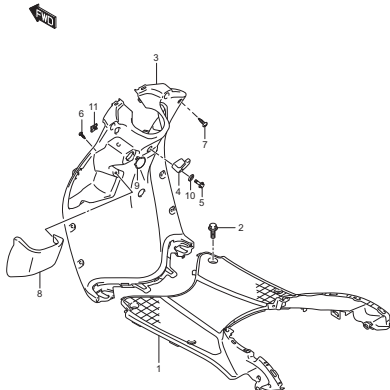
UZ125NEM0_P74_440A
REAR LEG SHIELD (UZ125NE)

440B REAR LEG SHIELD (UZ125NH,UZ125ND) (D-15)



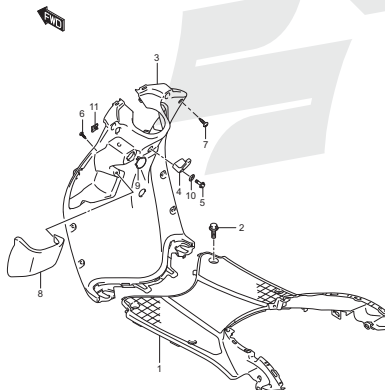
UZ125NEM0_P74_440B
REAR LEG SHIELD (UZ125NH,UZ125ND)

440C REAR LEG SHIELD (UZ125NDY) (D-16)



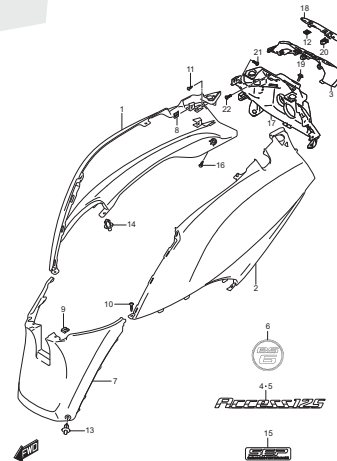
UZ125NEM0_P74_440C
REAR LEG SHIELD (UZ125NDY)

440D REAR LEG SHIELD (UZ125NEY) (E-2)



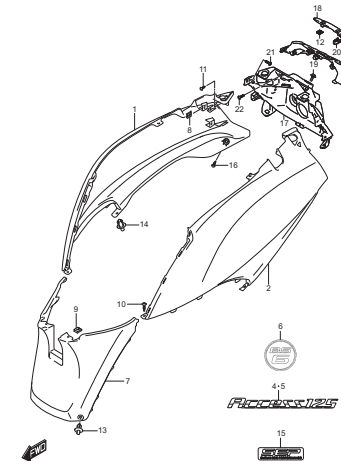
UZ125NEM0_P74_440D
REAR LEG SHIELD (UZ125NEY)

445A FRAME COVER (UZ125NE) (E-3)



UZ125NEM0_P74_445A
FFRAME COVER (UZ125NE)

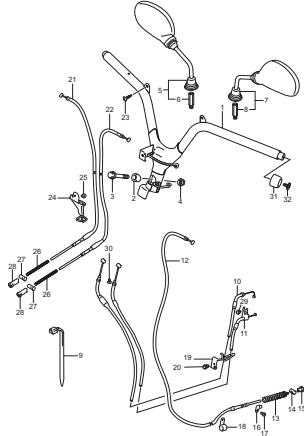
445A FRAME COVER (UZ125NE) (E-4)



UZ125NEM0_P74_445A
FRAME COVER (UZ125NE)

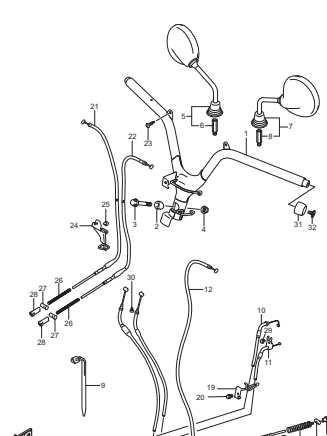
<p>445B FRAME COVER (UZ125NH,UZ125ND) (E-5)</p> <p>UZ125NEM0_P74_445B FRAME COVER (UZ125NH,UZ125ND)</p>	<p>445B FRAME COVER (UZ125NH,UZ125ND) (E-6)</p> <p>UZ125NEM0_P74_445B FRAME COVER (UZ125NH,UZ125ND)</p>	<p>445C FRAME COVER (UZ125NDY, UZ125NEY) (E-7)</p> <p>UZ125NEM0_P74_445C FRAME COVER (UZ125NDY,UZ125NEY)</p>	<p>445C FRAME COVER (UZ125NDY, UZ125NEY) (E-8)</p> <p>UZ125NEM0_P74_445C FRAME COVER (UZ125NDY,UZ125NEY)</p>
<p>456A HELMET BOX (E-9)</p> <p>UZ125NEM0_P74_456A HELMET BOX</p>	<p>460A FRONT FENDER (UZ125NE) (E-10)</p> <p>UZ125NEM0_P74_460A FRONT FENDER (UZ125NE)</p>	<p>460B FRONT FENDER (UZ125NH,UZ125ND) (E-11)</p> <p>UZ125NEM0_P74_460B FRONT FENDER (UZ125NH,UZ125ND)</p>	<p>460C FRONT FENDER (UZ125NDY,UZ125NEY) (E-12)</p> <p>UZ125NEM0_P74_460C FRONT FENDER (UZ125NDY,UZ125NEY)</p>

462A HANDLEBAR (UZ125NE) (E-13)



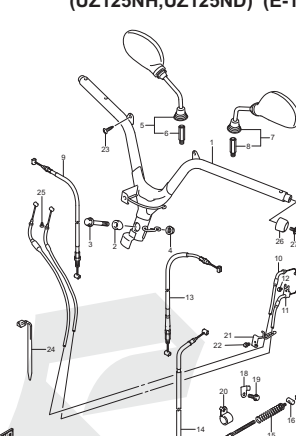
UZ125NEM0_P74_462A
HANDLEBAR (UZ125NE)

462B HANDLEBAR (UZ125NEY) (E-14)



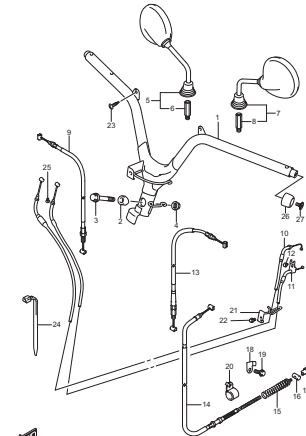
UZ125NEM0_P74_462B
HANDLEBAR (UZ125NEY)

462C HANDLEBAR (UZ125NH,UZ125ND) (E-15)



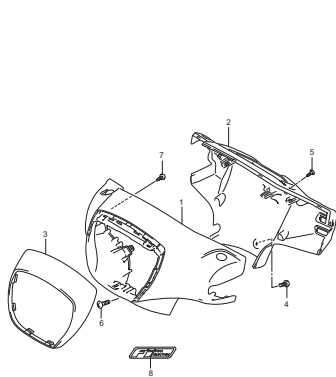
UZ125NEM0_P74_462C
HANDLEBAR (UZ125NH,UZ125ND)

462D HANDLEBAR (UZ125NDY) (E-16)



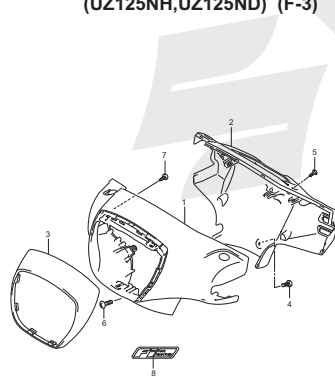
UZ125NEM0_P74_462D
HANDLEBAR (UZ125NDY)

463A HANDLE COVER (UZ125NE) (F-2)



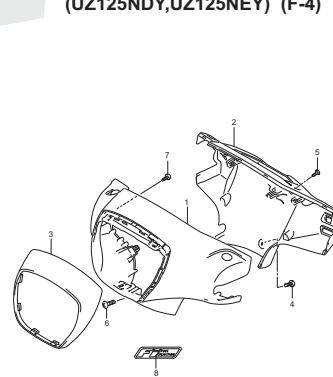
UZ125NEM0_P74_463A
HANDLE COVER (UZ125NE)

463B HANDLE COVER (UZ125NH,UZ125ND) (F-3)



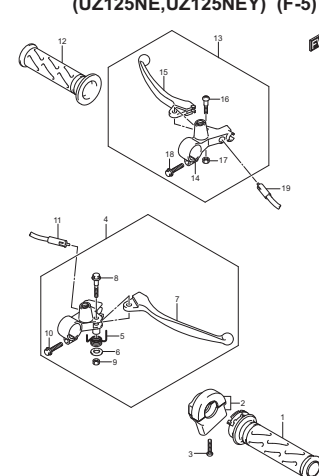
UZ125NEM0_P74_463B
HANDLE COVER (UZ125NH,UZ125ND)

463C HANDLE COVER (UZ125NDY,UZ125NEY) (F-4)

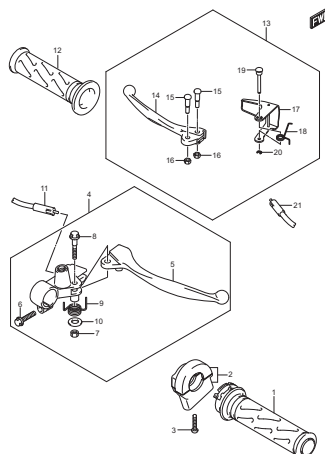
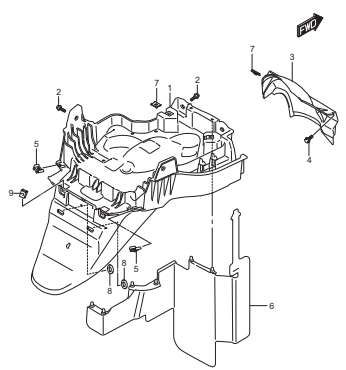
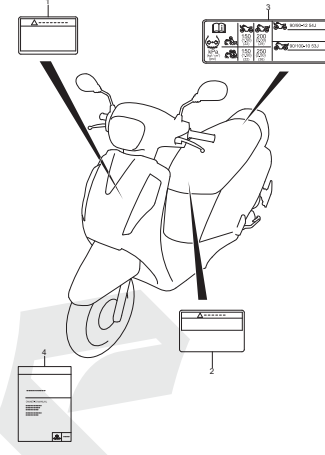
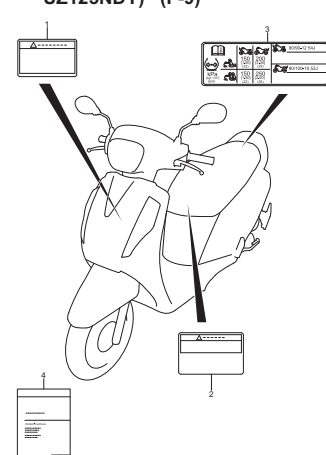
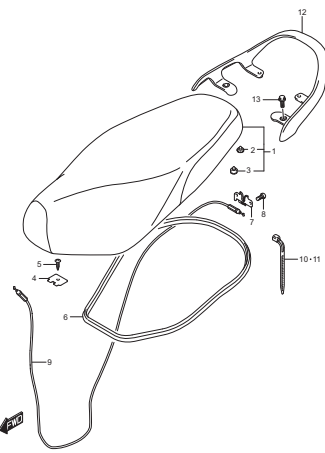
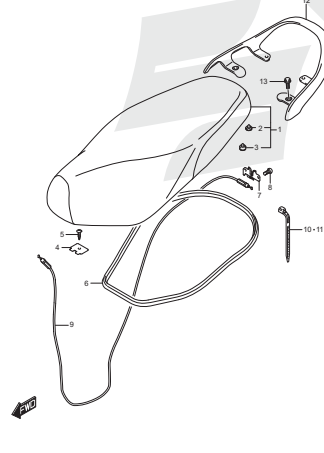
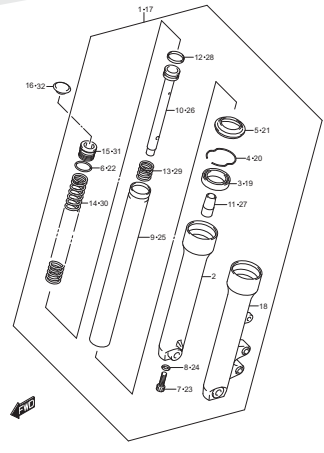
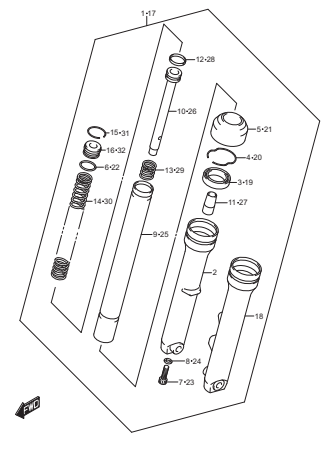


UZ125NEM0_P74_463C
HANDLE COVER (UZ125NDY,UZ125NEY)

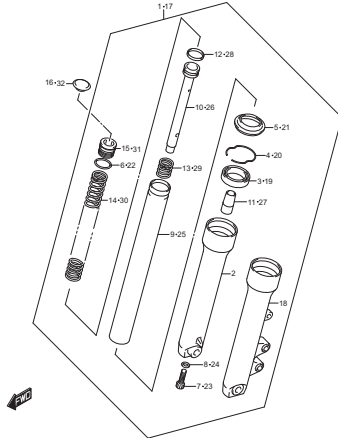
467A HANDLE LEVER (UZ125NE,UZ125NEY) (F-5)



UZ125NEM0_P74_467A
HANDLE LEVER (UZ125NE,UZ125NEY)

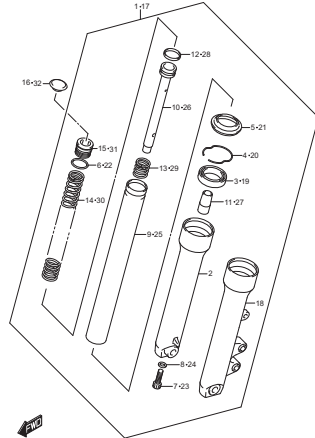
<p>467B HANDLE LEVER (UZ125NH, UZ125ND,UZ125NDY) (F-6)</p>  <p>UZ125NEM0_P74_467B HANDLE LEVER (UZ125NH,UZ125ND,UZ125NDY)</p>	<p>474A REAR FENDER (F-7)</p>  <p>UZ125NEM0_P74_474A REAR FENDER</p>	<p>496A LABEL (UZ125NE,UZ125NEY) (F-8)</p>  <p>UZ125NEM0_P74_496A LABEL (UZ125NE,UZ125NEY)</p>	<p>496B LABEL (UZ125NH,UZ125ND, UZ125NDY) (F-9)</p>  <p>UZ125NEM0_P74_496B LABEL (UZ125NH,UZ125ND,UZ125NDY)</p>
<p>505A SEAT (UZ125NE,UZ125NH, UZ125ND) (F-10)</p>  <p>UZ125NEM0_P74_505A SEAT (UZ125NE,UZ125NH,UZ125ND)</p>	<p>505B SEAT (UZ125NDY,UZ125NEY) (F-11)</p>  <p>UZ125NEM0_P74_505B SEAT (UZ125NDY,UZ125NEY)</p>	<p>521A FRONT FORK DAMPER (UZ125NE) (F-12)</p>  <p>UZ125NEM0_P74_521A FRONT FORK DAMPER (UZ125NE)</p>	<p>521B FRONT FORK DAMPER (UZ125NH,UZ125ND) (F-13)</p>  <p>UZ125NEM0_P74_352A FRONT FORK DAMPER (UZ125NH,UZ125ND)</p>

521C FRONT FORK DAMPER (UZ125NEY) (F-14)



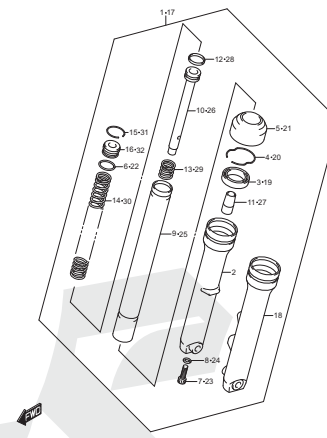
UZ125NEM0_P74_521C
FRONT FORK DAMPER (UZ125NEY)

521C FRONT FORK DAMPER (UZ125NEY) (F-14)



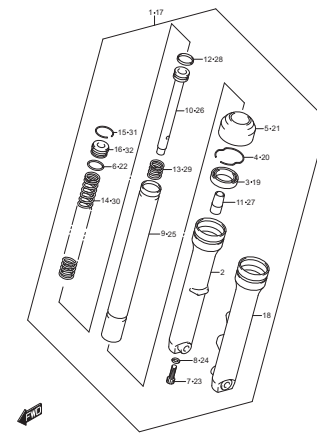
UZ125NEM0_P74_521C
FRONT FORK DAMPER (UZ125NEY)

521D FRONT FORK DAMPER (UZ125NDY) (F-15)



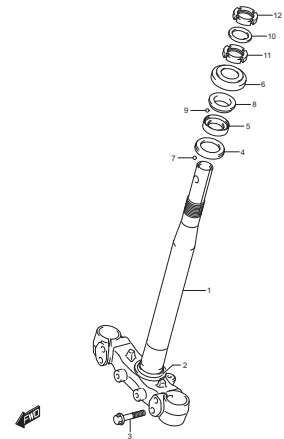
UZ125NEM0_P74_521D
FRONT FORK DAMPER (UZ125NDY)

521D FRONT FORK DAMPER (UZ125NDY) (F-16)



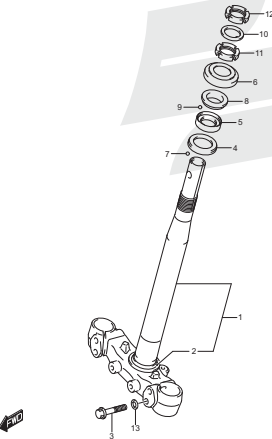
UZ125NEM0_P74_521D
FRONT FORK DAMPER (UZ125NDY)

524A STEERING STEM (UZ125NH,UZ125ND,UZ125NDY) (G-2)



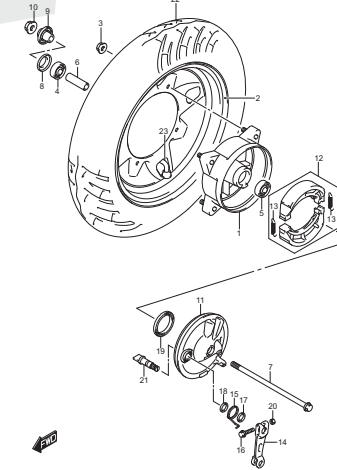
UZ125NEM0_P74_524A
STEERING STEM (UZ125NH,UZ125ND,UZ125NDY)

524B STEERING STEM (UZ125NE,UZ125NEY) (G-3)



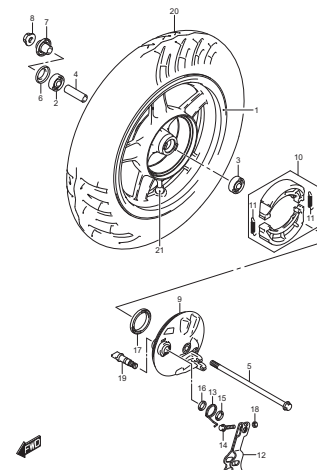
UZ125NEM0_P74_524B
STEERING STEM (UZ125NE,UZ125NEY)

530A FRONT WHEEL (UZ125NH) (G-4)

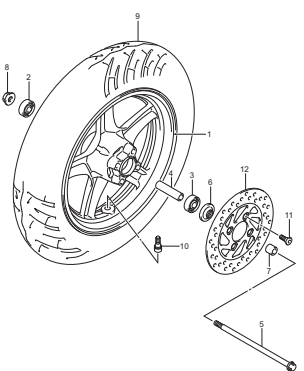
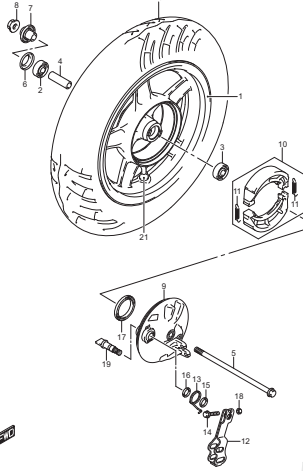
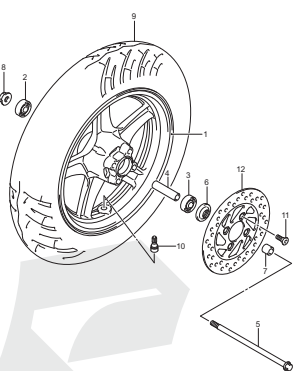
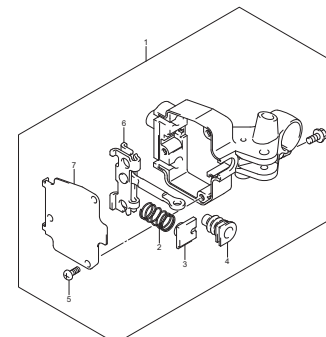
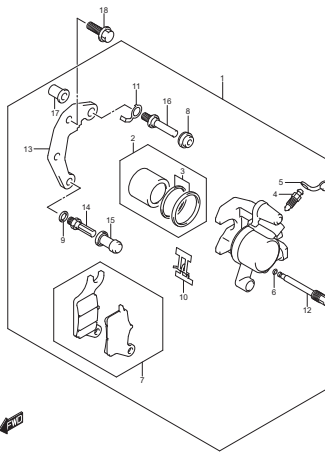
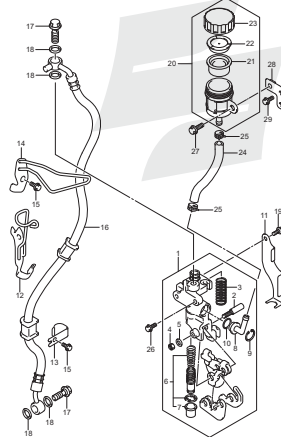
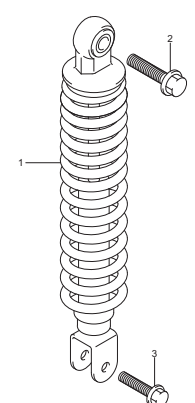
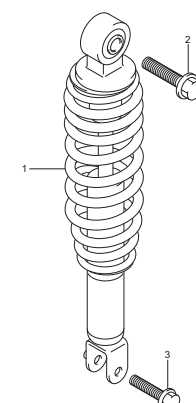


UZ125NEM0_P74_530A
FRONT WHEEL (UZ125NH)

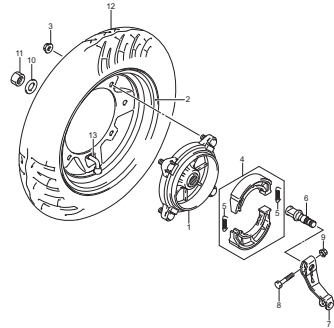
530B FRONT WHEEL (UZ125ND) (G-5)



UZ125NEM0_P74_530B
FRONT WHEEL (UZ125ND)

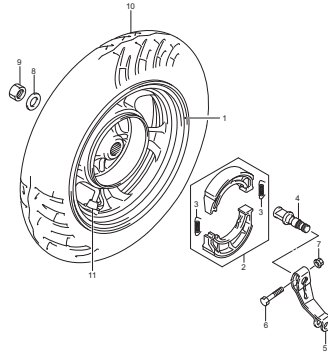
<p>530C FRONT WHEEL (UZ125NE) (G-6)</p>  <p>UZ125NEM0_P74_530C FRONT WHEEL (UZ125NE)</p>	<p>530D FRONT WHEEL (UZ125NDY) (G-7)</p>  <p>UZ125NEM0_P74_530D FRONT WHEEL (UZ125NDY)</p>	<p>530E FRONT WHEEL (UZ125NEY) (G-8)</p>  <p>UZ125NEM0_P74_530E FRONT WHEEL (UZ125NEY)</p>	<p>531A FRONT WHEEL BRAKE (UZ125NH,UZ125ND,UZ125NDY) (G-9)</p>  <p>UZ125NEM0_P74_531A FRONT WHEEL BRAKE (UZ125NH,UZ125ND,UZ125NDY)</p>
<p>535A FRONT CALIPER (UZ125NE,UZ125NEY) (G-10)</p>  <p>UZ125NEM0_P74_535A FRONT CALIPER (UZ125NE,UZ125NEY)</p>	<p>537A FRONT MASTER CYLINDER (UZ125NE,UZ125NEY) (G-11)</p>  <p>UZ125NEM0_P74_537A FRONT MASTER CYLINDER (UZ125NE,UZ125NEY)</p>	<p>545A REAR SHOCK ABSORBER (UZ125NH,UZ125ND,UZ125NDY)(G-12)</p>  <p>UZ125NEM0_P74_545A REAR SHOCK ABSORBER (UZ125NH,UZ125ND, UZ125NDY)</p>	<p>545B REAR SHOCK ABSORBER (UZ125NE,UZ125NEY) (G-13)</p>  <p>UZ125NEM0_P74_545B REAR SHOCK ABSORBER (UZ125NE,UZ125NEY)</p>

550A REAR WHEEL (UZ125NH) (G-14)



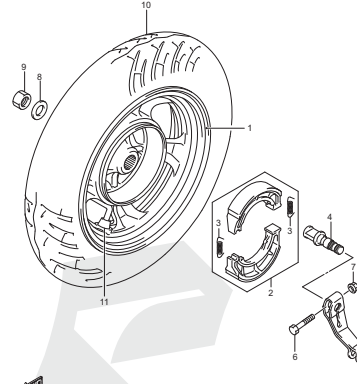
UZ125NEM0_P74_550A
REAR WHEEL (UZ125NH)

550B REAR WHEEL (UZ125NE) (G-15)



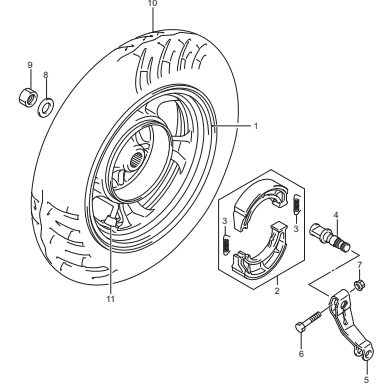
UZ125NEM0_P74_550B
REAR WHEEL (UZ125NE)

550C REAR WHEEL (UZ125ND) (G-16)



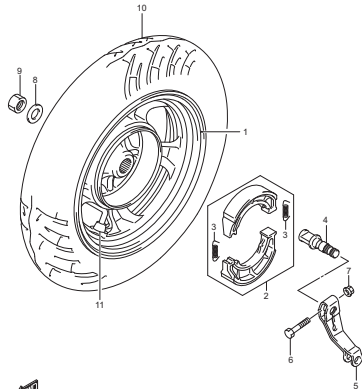
UZ125NEM0_P74_550C
REAR WHEEL (UZ125ND)

550D REAR WHEEL (UZ125NEY) (H-2)



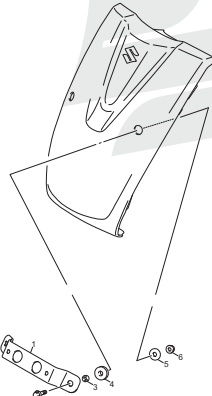
UZ125NEM0_P74_550D
REAR WHEEL (UZ125NEY)

550E REAR WHEEL (UZ125NDY) (H-3)



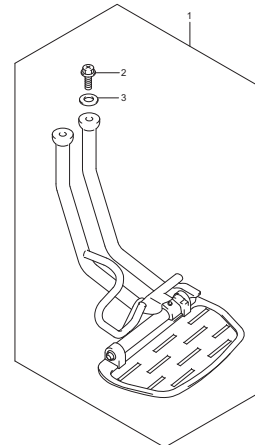
UZ125NEM0_P74_550E
REAR WHEEL (UZ125NDY)

970A FRONT LICENSE PLATE (H-4)



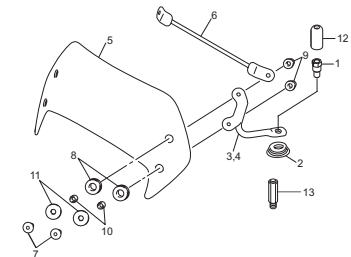
UZ125NEM0_P74_970A
FRONT LICENSE PLATE

970B OPTIONAL (REAR FOOTREST SIDE TUBE SET) (H-5)



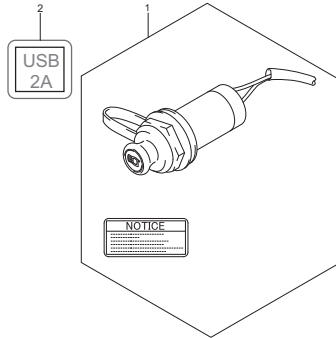
UZ125NEM0_P74_970B
OPTIONAL (REAR FOOTREST SIDE TUBE SET)

970C OPTIONAL (METER VISOR) (H-6)



UZ125NEM0_P74_970C
OPTIONAL (METER VISOR)

970D OPTIONAL (UZ125NE/NH/ND)
(SOCKET SET, USB) (H-7)



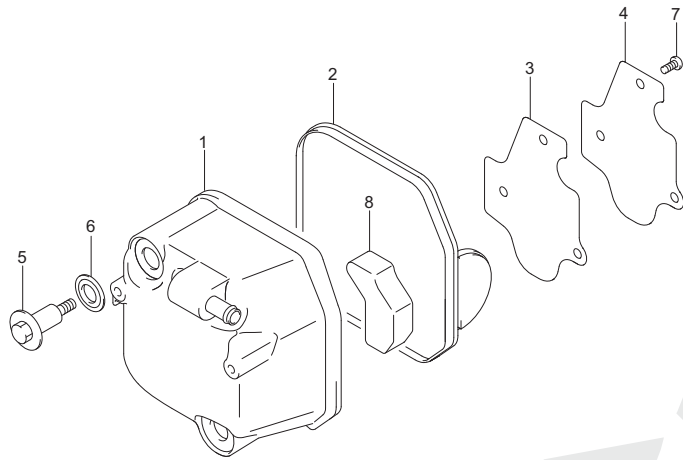
UZ125NEM0_P74_970D
OPTIONAL (UZ125NE/NH/ND)
(SOCKET SET, USB)



102A

102A (B-2) CYLINDER HEAD COVER

2

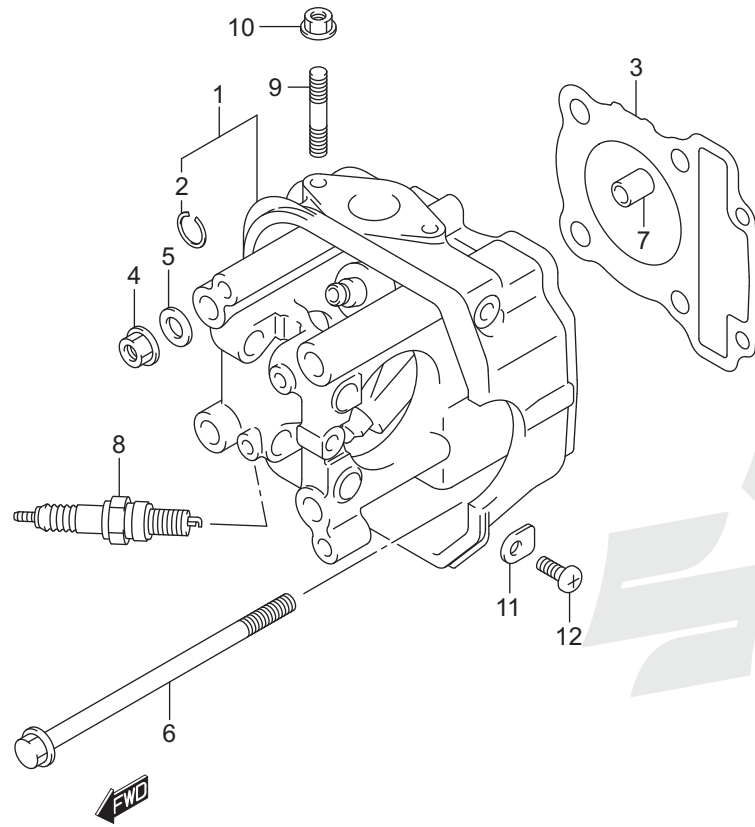


REF NO.	PART NO.	DESCRIPTION	QTY	REMARKS
1	11170-02L00-000	COVER,CYLINDER HEAD	1	
2	11173-02L00-000	GASKET,CYL HEAD COVER	1	
3	11176-08K00-000	PLATE, BREATHER	1	
4	11177-08K00-000	GASKET,BREATHER PLATE	1	
5	09119-06120-000	BOLT,CYL HEAD COVER (L14.5)	2	
6	11191-27E70-000	WASHER (10.6X25.5X1.6)	2	
7	02112-0510A-000	SCREW	3	
8	11186-02L00-000	SEPARATOR,OIL BREATHER	1	



103A

103A (B-3) CYLINDER HEAD

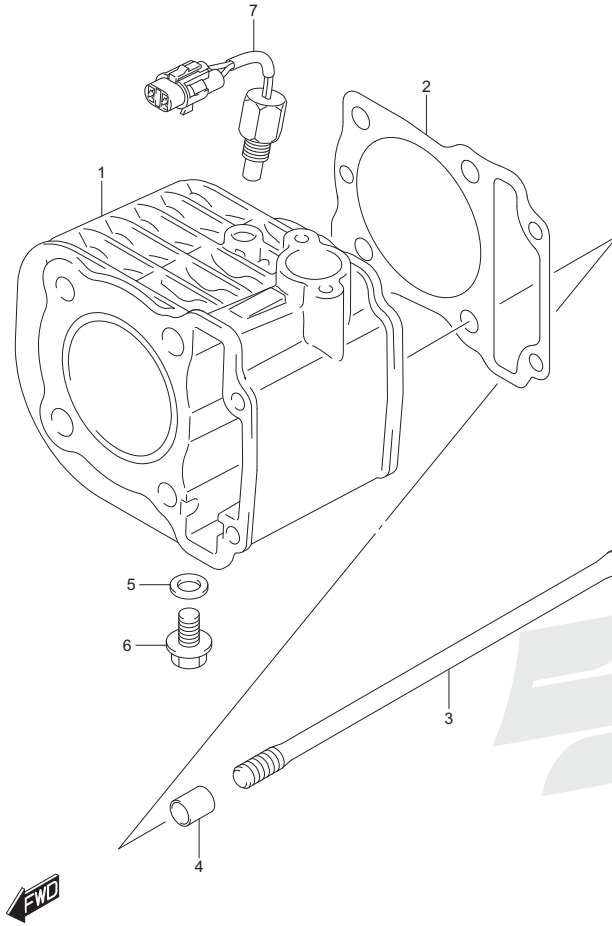


REF NO.	PART NO.	DESCRIPTION	QTY	REMARKS
1	11110-02L00-000	HEAD,CYLINDER	1	
2	09381-10004-000	.SNAP RING	2	
3	11141-35J00-000	GASKET,CYLINDER HEAD	1	
4	08316-1008A-000	NUT	4	
5	09160-08164-000	WASHER (8.5X18X2.3)	4	
6	09103-06501-000	BOLT (6X100)	2	
7	09206-10016-000	PIN (8.2X10X13)	2	
8	09482-00645-000	SPARK PLUG (MR7E-9)	1	
9	01421-0625A-000	BOLT,STUD	2	
10	08316-1006A-000	NUT	2	
11	24741-20A10-000	RETAINER,SHIFT CAM R BEARING	1	
12	02112-0612A-000	SCREW	1	

2

107A

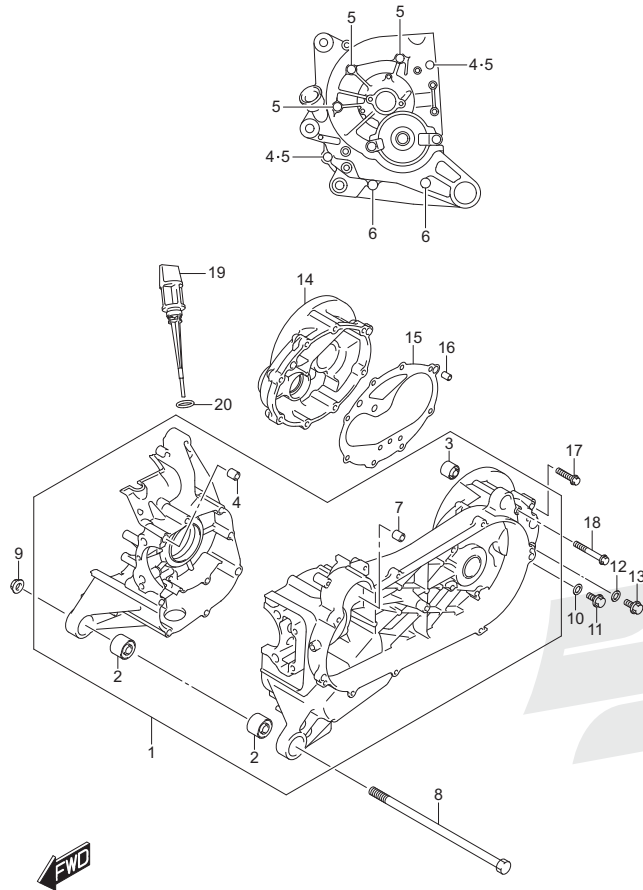
2



107A (B-4) CYLINDER

REF NO.	PART NO.	DESCRIPTION	QTY	REMARKS
1	11210-02L00-0F0	CYLINDER	1	
2	11241-08K00-000	GASKET,CYLINDER	1	
3	09108-08302-000	STUD BOLT (L:192)	4	
4	09206-10016-000	PIN (8.2X10X13)	2	
5	09168-08008-000	GASKET (8.2X14X1)	1	
6	01550-0812A-000	BOLT	1	
7	13640-02L00-000	SENSOR,ENGINE TEMP	1	

108A



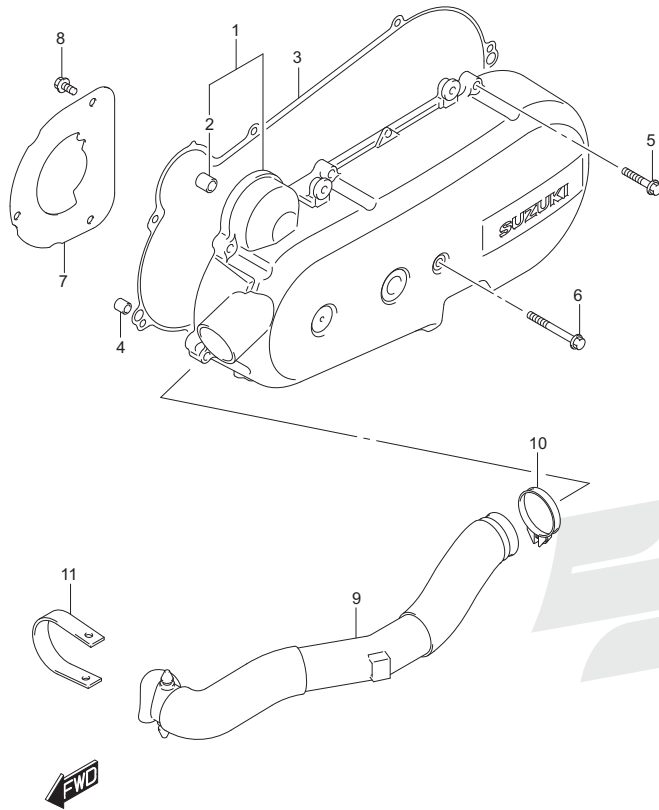
108A (B-5) CRANKCASE

REF NO.	PART NO.	DESCRIPTION	QTY	REMARKS
1	11301-08840-000	CRANKCASE SET	1	
2	11315-39J00-000	.BUSH,ENGINE MTG	2	
3	11316-39J00-000	.BUSH,REAR SHOCK ABS	1	
4	09206-10014-000	.PIN (6.4X10X20)	2	
5	01547-0655A-000	.BOLT	5	
6	01547-0695A-000	.BOLT	2	
7	11325-09J00-000	.BUSH	1	
8	11611-39J00-000	BOLT,ENG MTG (L:240)	1	
9	08316-1010A-000	NUT	1	
10	09168-08008-000	GASKET (8.2X14X1)	1	
11	01550-0812A-000	BOLT	1	
12	09168-08008-000	GASKET (8.2X14X1)	1	
13	01550-0812A-000	BOLT	1	
14	11430-39840-000	COVER SET, GEAR BOX	1	
15	11484-39J30-000	GASKET,GEAR BOX COVER	1	
16	09206-08008-000	PIN (6.3X8X12)	2	
17	01547-0630A-000	BOLT	7	
18	01547-0655A-000	BOLT	1	
19	11971-09J00-000	GAUGE,OIL LEVEL	1	
20	09280-17003-000	O RING (D:3.1,ID:16.8)	1	

2

112A

2



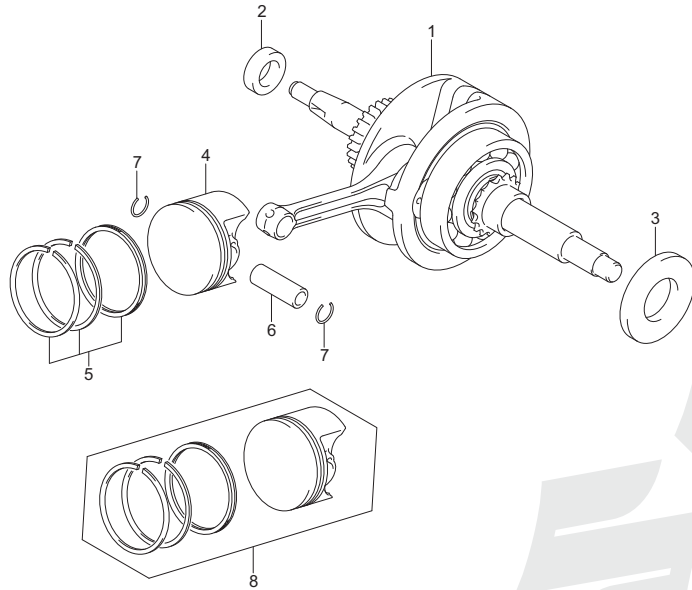
112A (B-6) CRANKCASE COVER

REF NO.	PART NO.	DESCRIPTION	QTY	REMARKS
1	11340-08K10-000	COVER,CLUTCH	1	
2	11325-09J00-000	.BUSH	1	
3	11482-08K00-000	GASKET,CLUTCH COVER	1	
4	09206-08008-000	PIN (6.3X8X12)	2	
5	01547-0625A-000	BOLT	8	
6	01547-0690A-000	BOLT	1	
7	11346-08K00-000	PLATE,CLUTCH COVER AIR INTAKE	1	
8	01547-0612A-000	BOLT	3	
9	11383-39J00-000	DUCT, BELT COOLING INLET	1	
10	09402-46209-000	CLAMP,BELT COOLING DUCT	1	
11	11386-39J00-000	BAND, BELT COOLING DUCT	1	

120A

120A (B-7) CRANKSHAFT

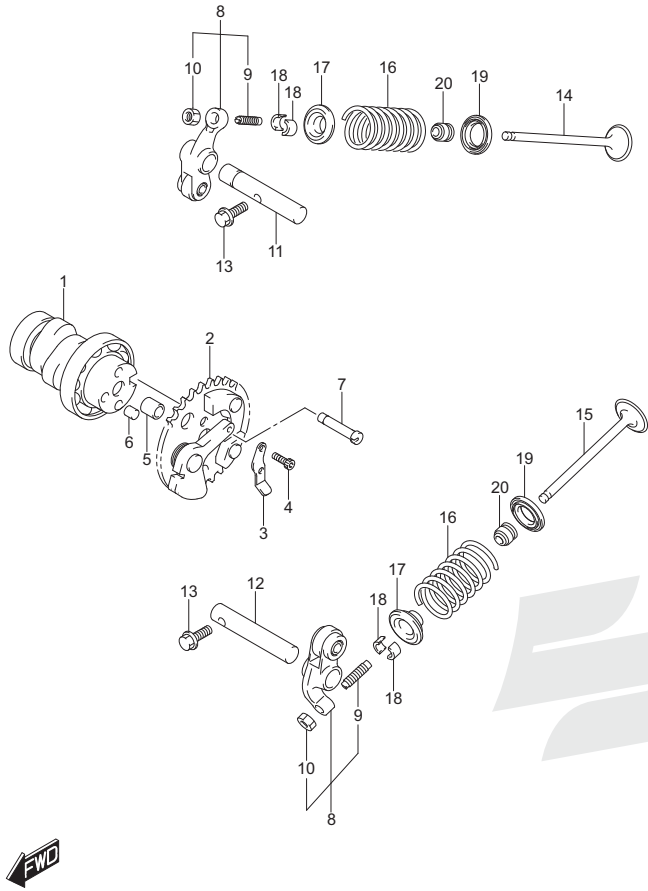
REF NO.	PART NO.	DESCRIPTION	QTY	REMARKS
1	12200-08K50-000	CRANKSHAFT ASSY	1	
2	09283-16L03-000	SEAL,CRANKSHAFT OIL RH (20.5X32X5)	1	
3	12227-08K00-000	SEAL,CRANKSHAFT OIL LH	1	
4	12111-08K00-0F0	PISTON	1	
5	12140-08K50-000	RING SET,PISTON	1	
6	12151-43J00-000	PIN, PISTON	1	
7	09381-12001-000	SNAP RING	2	
8	12100-08K50-050	PISTON SET,OS 0.5	1	



UZ125NEM0_P74_120A
CRANKSHAFT

126A

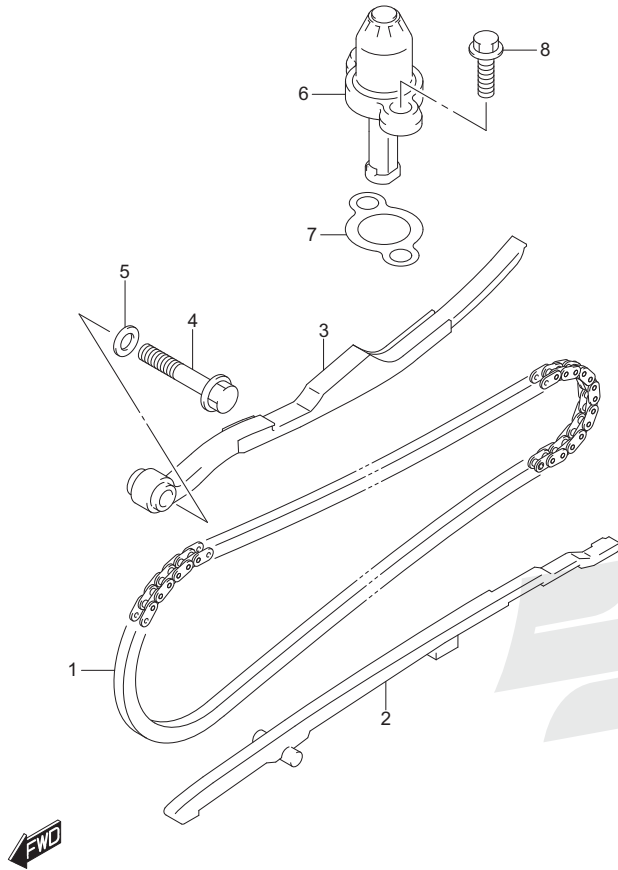
2



126A (B-8) CAMSHAFT/VALVE

REF NO.	PART NO.	DESCRIPTION	QTY	REMARKS
1	12710-02L00-000	CAMSHAFT	1	
2	12740-08K00-000	SPROCKET,CAMSHAFT (NT:34)	1	
3	12714-34J10-000	WASHER,SPROCKET	1	
4	09106-05028-000	BOLT (5X15)	2	
5	09206-08008-000	PIN (6.3X8X12)	1	
6	09261-05005-000	PIN (5X8)	1	
7	12951-08K00-000	CAM,DECOMPRESSION	1	
8	12840-43J00-000	ARM ASSY, VALVE ROCKER	2	
9	12842-34J00-000	.SCREW,TAPPET ADJUSTING	2	
10	12843-27A70-000	.NUT,TAPPET ADJUSTING	2	
11	12861-35J00-000	SHAFT, VALVE ROCKER ARM IN	1	INTAKE
12	12871-35J00-000	SHAFT, VALVE ROCKER ARM	1	EXHAUST
13	01550-0512A-000	BOLT	2	
14	12911-43J00-000	VALVE, INTAKE	1	
15	12912-02L00-000	VALVE,EXHAUST	1	
16	12921-43J00-000	SPRING, VALVE	2	
17	12931-09G20-000	RETAINER,VALVE SPRING	2	
18	12932-09G10-000	COTTER,VALVE	4	
19	12933-09G00-000	SEAT,VALVE SPRING	2	
20	09289-05019-000	SEAL (4X10X8)	2	

127A



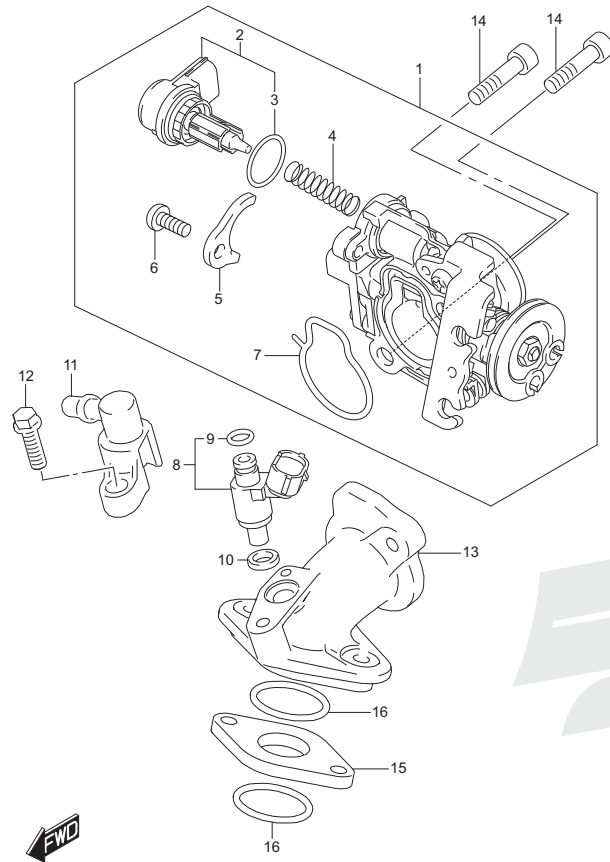
127A (B-9) CAM CHAIN

REF NO.	PART NO.	DESCRIPTION	QTY	REMARKS
1	12760-08K10-000	CHAIN,CAMSHAFT DRIVE	1	
2	12771-08K00-000	GUIDE, CAM CHAIN	1	
3	12811-08K10-000	TENSIONER, CAM CHAIN	1	
4	09103-06247-000	BOLT (6X32)	1	
5	09168-06004-000	GASKET (6.2X11X1.2)	1	
6	12830-42K00-000	ADJUSTER ASSY,TENSIONER	1	
7	12837-39J20-000	GASKET, TENSIONER ADJUSTER	1	
8	01547-0620A-000	BOLT	2	

2

140A

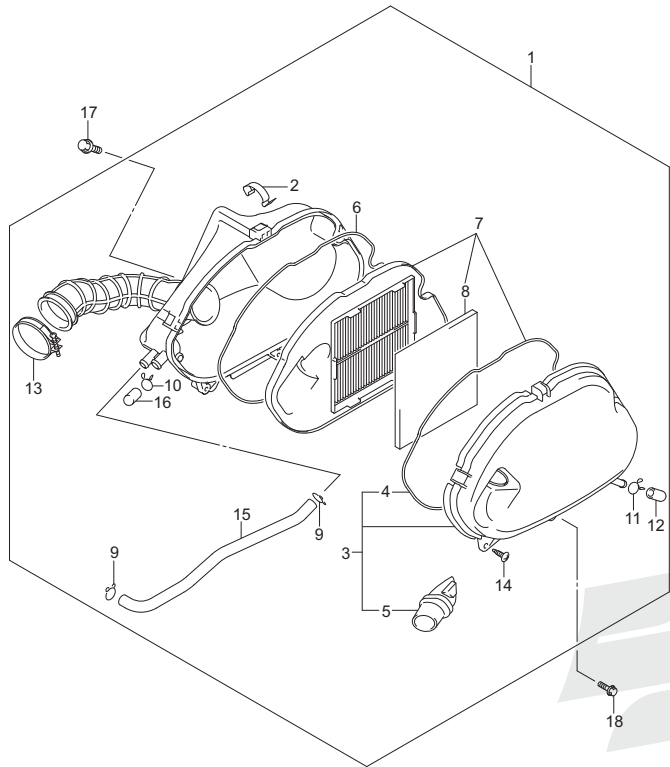
2



140A (B-10) THROTTLE BODY

REF NO.	PART NO.	DESCRIPTION	QTY	REMARKS
1	13400-02L00-000	BODY ASSY,THROTTLE	1	
2	18117-10K00-000	.STEPPING MOTOR	1	
3	13438-09JA0-000	..O-RING	1	
4	13417-02L00-000	.SPRING	1	
5	13421-02L00-000	.PLATE	1	
6	13602-02L00-000	.SCREW	2	
7	13295-02L00-000	.O RING	2	
8	15710-02L00-000	INJECTOR ASSY,FUEL	1	
9	15716-42J00-000	.O-RING	1	
10	15722-02L00-000	SEAL	1	
11	15830-02L00-000	JOINT,FUEL HOSE	1	
12	01547-0620A-000	BOLT	1	
13	13111-02L00-000	PIPE,INTAKE	1	
14	07130-0625A-000	BOLT	2	
15	13128-08K00-000	INSULATOR,INTAKE PIPE	1	
16	09280-26013-000	O RING (D:2.4,ID:25.7)	2	

155A



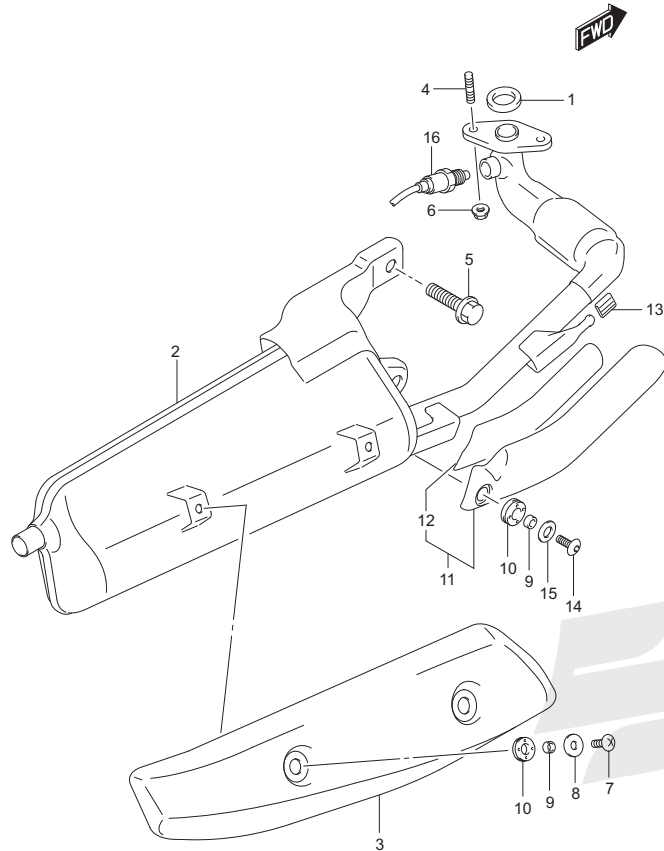
155A (B-11) AIR CLEANER

REF NO.	PART NO.	DESCRIPTION	QTY	REMARKS
1	13700-02L00-000	CLEANER, AIR	1	
2	13755-54G00-000	.CLIP,AIR CLEANER	2	
3	13740-08K00-000	.CAP,AIR CLEANER	1	
4	13746-08K00-000	.GASKET	1	
5	13891-08K00-000	..TUBE,INLET	1	
6	13746-08K00-000	.GASKET	1	
7	13700-08810-000	AIR FILTER KIT	1	
8	13786-08K00-000	.PREFILTER	1	
9	09401-12418-000	.CLIP	2	
10	09401-14101-000	.CLIP (ID:14.5)	1	
11	13825-08K00-000	.CLIP	2	
12	13871-41H00-000	.PLUG,DRAIN	2	
13	09402-44208-000	.CLAMP	1	
14	03541-0520B-000	.SCREW	4	
15	13850-02L00-000	.TUBE,BRETHER	1	
16	13859-41B10-000	.PLUG	1	
17	63114-08K00-000	BOLT,REAR FENDER LOWER	1	
18	09116-06103-000	BOLT (6X30)	2	

2

163A

2

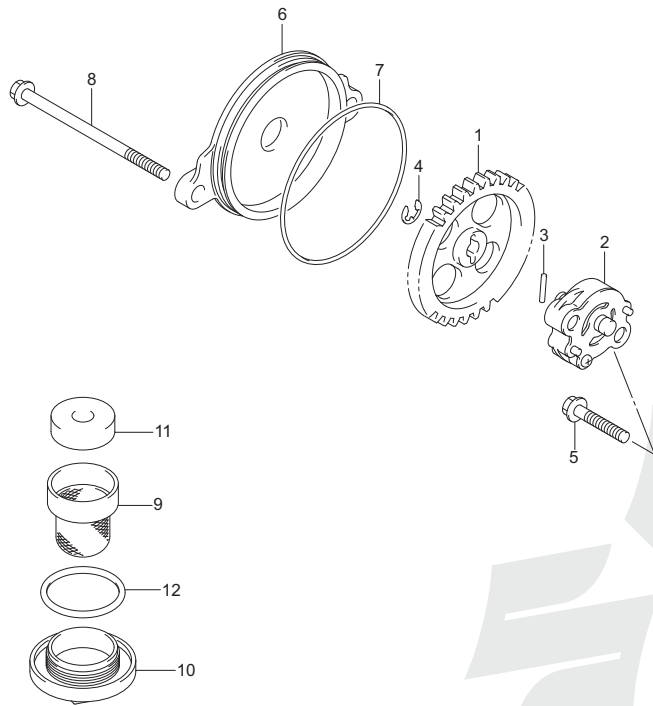


163A (B-12) MUFFLER

REF NO.	PART NO.	DESCRIPTION	QTY	REMARKS
1	14181-30A30-000	GASKET,EXH PIPE	1	
2	14310-02L00-000	BODY,MUFFLER	1	
3	14781-08K00-000	COVER,MUF	1	
4	01421-0616A-000	BOLT,STUD	2	
5	01550-1040A-000	BOLT	2	
6	08316-1006A-000	NUT	2	
7	09139-06198-000	SCREW,MUF COVER (6X16)	2	
8	09160-06028-000	WASHER (6.5X18X1.0)	2	
9	09180-06343-000	SPACER	3	
10	09320-08082-000	CUSHION	3	
11	14180-44K00-000	COVER,EXH PIPE	1	
12	14182-44K00-000	.SHIELD,EXH PIPE COVER	1	
13	14795-10FA0-000	GROMMET	1	
14	09139-06217-000	SCREW,MUF COVER (6X16)	1	
15	09160-06151-000	WASHER (6.5X18X1)	1	
16	18213-12K10-000	SENSOR,OXYGEN	1	

170A

170A (B-13) OIL PUMP



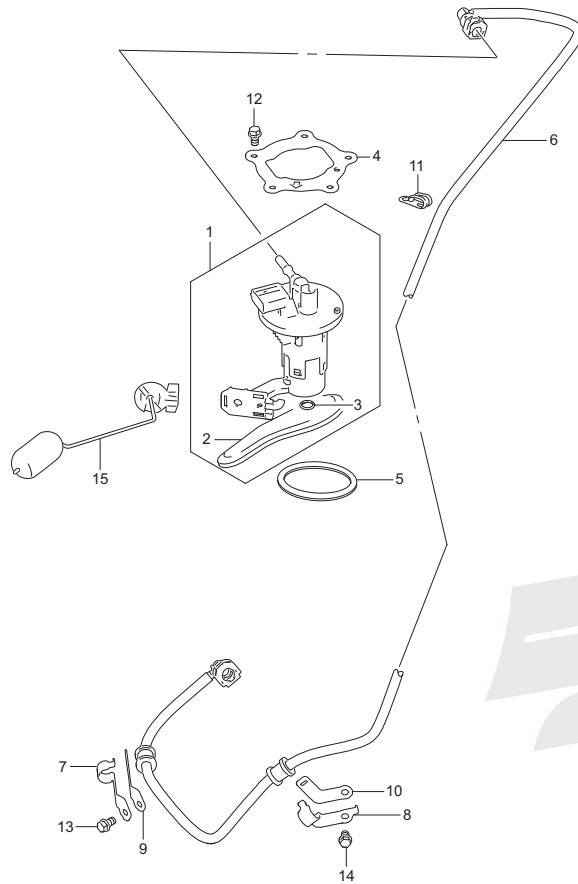
REF NO.	PART NO.	DESCRIPTION	QTY	REMARKS
1	16331-08K00-000	GEAR,OIL PUMP DRIVEN (NT:43)	1	
2	16400-08K00-000	PUMP ASSY,ENG OIL	1	
3	16421-20E00-000	PIN	1	
4	08332-11059-000	E RING	1	
5	01547-0625A-000	BOLT	2	
6	16422-09J00-000	COVER,OIL PUMP	1	
7	16423-09J00-000	O-RING,OIL PUMP COVER	1	
8	01547-0680A-000	BOLT	2	
9	16520-09J00-000	STRAINER,ENG OIL	1	
10	16523-09J00-000	CAP,OIL STRAINER	1	
11	16526-09J00-000	PLUG, OIL STRAINER	1	
12	16525-09J00-000	O-RING	1	

2



172A

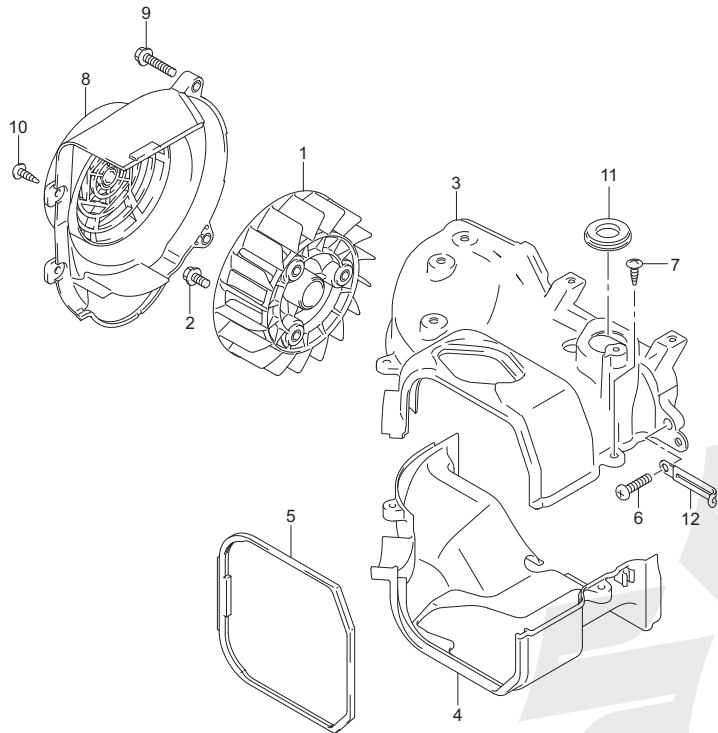
2



172A (B-14) FUEL PUMP

REF NO.	PART NO.	DESCRIPTION	QTY	REMARKS
1	15100-02L00-000	PUMP ASSY, FUEL	1	
2	15420-02L00-000	.FILTER	1	
3	15424-09JB0-000	.O-RING	1	
4	15121-02L00-000	PLATE,FUEL PUMP	1	
5	15201-02L00-000	O-RING,FUEL PUMP	1	
6	15810-02L00-000	HOSE,FUEL	1	
7	15891-02L00-000	CLAMP,FUEL HOSE FR	1	
8	15892-02L00-000	CLAMP,FUEL HOSE RR	1	
9	15893-02L00-000	CLAMP,FUEL HOSE RR NO.2	1	
10	15894-02L00-000	CLAMP,FUEL HOSE RR NO.2	1	
11	09404-06429-000	CLAMP (L:45)	1	
12	01547-0610A-000	BOLT	5	
13	01547-0610A-000	BOLT	1	
14	01547-0610A-000	BOLT	1	
15	34810-02L00-000	GAUGE ASSY,FUEL LEVEL SENDER	1	

181A

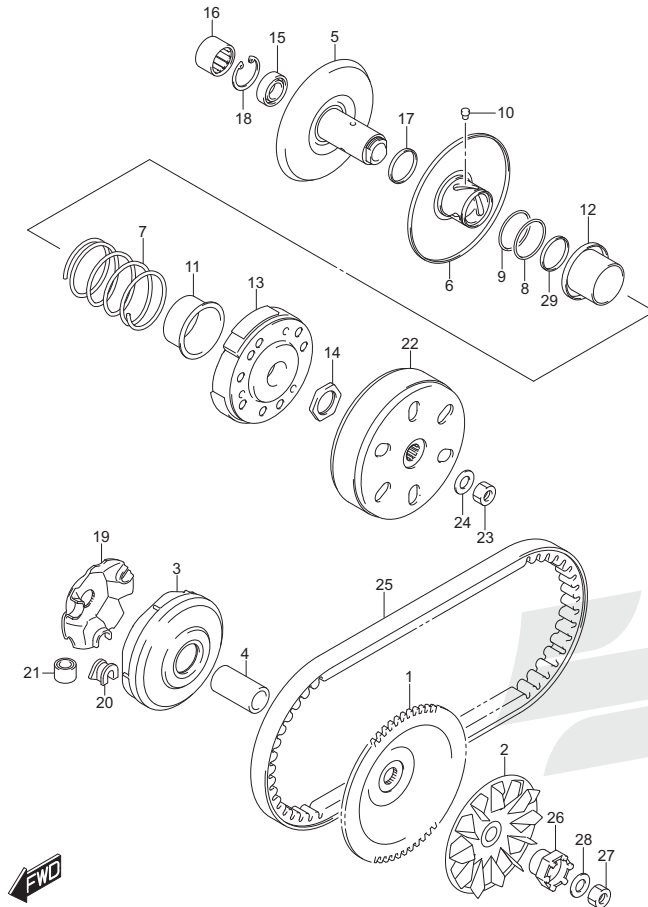


181A (B-15) COOLING FAN

REF NO.	PART NO.	DESCRIPTION	QTY	REMARKS
1	17110-09J50-000	FAN,COOLING	1	
2	01550-0612A-000	BOLT	3	
3	17120-02L00-000	COWLING,CYLINDER UPPER	1	
4	17122-02L00-000	COWLING,CYLINDER LOWER	1	
5	17123-08K00-000	MOLD, CYLINDER COWLING	1	
6	01547-0625A-000	BOLT	1	
7	03541-0516A-000	SCREW	2	
8	17130-02L00-000	COWLING,FAN	1	
9	01547-0625A-000	BOLT	2	
10	03541-0516A-000	SCREW	2	
11	17124-02L00-000	MOLD,TENSIONER ADJUSTER	1	
12	09404-06429-000	CLAMP (L:45)	1	

210A

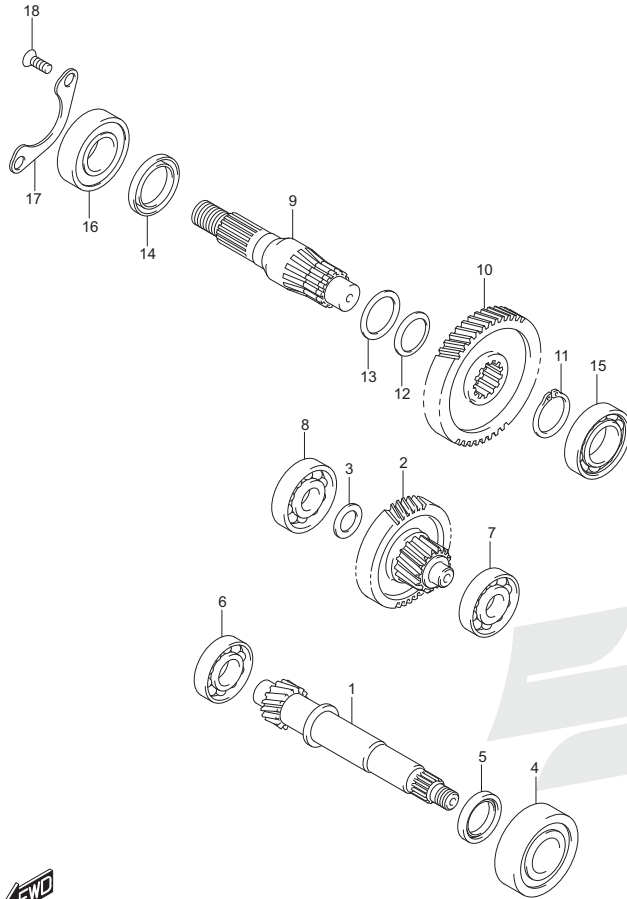
2



210A (B-16) TRANSMISSION (1)

REF NO.	PART NO.	DESCRIPTION	QTY	REMARKS
1	21111-08K00-000	FACE, FIXED DRIVE	1	
2	21113-39J10-000	FAN, FIXED DRIVE	1	
3	21120-33G60-000	FACE, MOVABLE DRIVE	1	
4	21125-33G00-000	SPACER, MOVABLE DRIVE	1	
5	21210-08K00-000	FACE, FIXED DRIVEN	1	
6	21240-08K01-000	FACE, MOVABLE DRIVEN	1	
7	21243-08K00-000	SPRING, MOVABLE DRIVEN	1	
8	21245-09J00-000	O-RING, MOVABLE DRIVEN	1	
9	21246-08K00-000	O-RING, MOVABLE DRIVEN	1	
10	21248-08K00-000	PIN, MOVABLE DRIVEN	3	
11	21472-08K10-000	SHEET, CLUTCH DRIVE PLATE	1	
12	21471-08K00-000	SHEET, MOVABLE DRIVEN	1	
13	21501-08K00-000	CLUTCH ASSY, SHOE	1	
14	09140-28004-000	NUT	1	
15	21215-08K10-000	BEARING, FIXED DRIVEN, L	1	
16	21214-08K00-000	BEARING, FIXED DRIVEN, R	1	
17	21247-08K00-000	SEAL, MOVABLE DRIVEN OIL	1	
18	21216-08K00-000	CIRCLIP, FIXED DRIVEN	1	
19	21431-33G00-000	PLATE, MOVABLE DRIVE	1	
20	21481-08K00-000	DAMPER, MOVABLE DRIVE PLATE	3	
21	21650-08K10-000	ROLLER, MOVABLE DRIVE	6	
22	21220-08K00-000	HOUSING, CLUTCH	1	
23	09140-12055-000	NUT, CLUTCH HOUSING	1	
24	08211-12223-000	WASHER	1	
25	27601-08K10-000	V-BELT, DRIVE	1	
26	26231-08K00-000	STARTER, KICK, RH	1	
27	09140-12055-000	NUT, CLUTCH HOUSING	1	
28	08211-12223-000	WASHER	1	
29	21247-08K00-000	SEAL, MOVABLE DRIVEN OIL	1	

211A



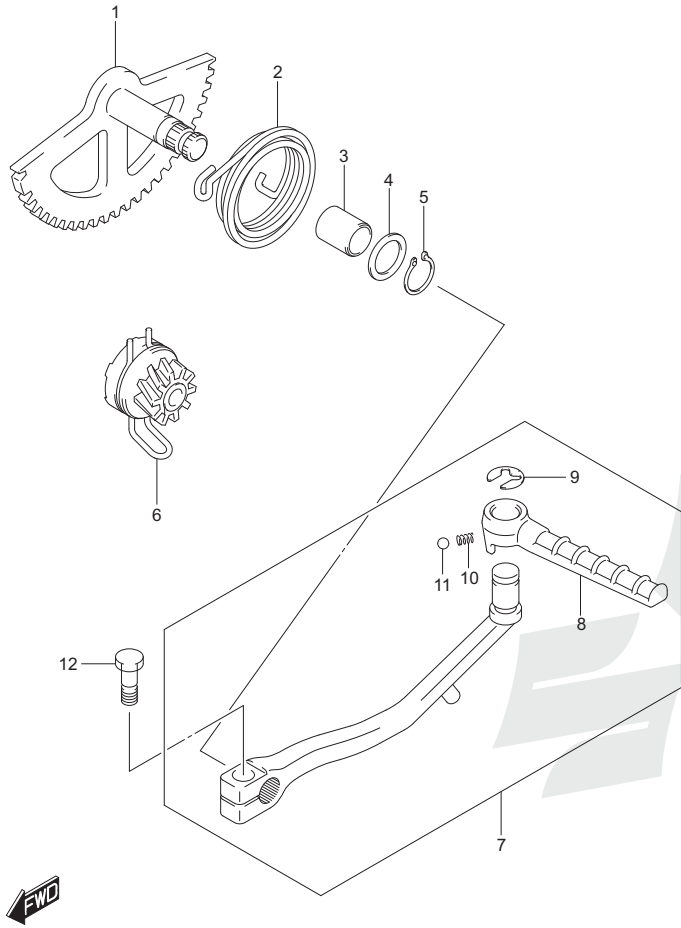
211A (C-2) TRANSMISSION (2)

REF NO.	PART NO.	DESCRIPTION	QTY	REMARKS
1	24131-33G80-000	SHAFT,DRIVE	1	
2	24150-39J20-000	SHAFT,IDLE (NT:13/42)	1	
3	09181-12167-000	SHIM (12X20X1)	1	
4	09262-20171-000	BEARING,DRIVE SHAFT LH (20X47X14)	1	
5	09283-20069-000	SEAL,DRIVE SHAFT OIL (19X28X5)	1	
6	08110-62020-000	BEARING	1	
7	09262-12034-000	BEARING,IDLE SHAFT LH (12X32X10)	1	
8	09262-12035-000	BEARING,IDLE SHAFT RH (12X28X8)	1	
9	24141-08K10-000	SHAFT,REAR AXLE	1	
10	24371-39J10-000	GEAR,FINAL DRIVEN (NT:46)	1	
11	08331-31249-000	CIRCLIP	1	
12	24142-08K00-000	WASHER,FINAL DRIVEN GEAR	1	
13	09181-25051-000	SHIM (T:0.60)	1	
14	09283-29007-000	SEAL,AXLE SHAFT OIL	1	
15	08110-62030-000	BEARING	1	
16	09262-22041-000	BEARING,AXLE SHAFT RH (22X50X14)	1	
17	24751-09J00-000	RETAINER, AXLE SHAFT BEARING	1	
18	02122-0616A-000	SCREW	2	



240A

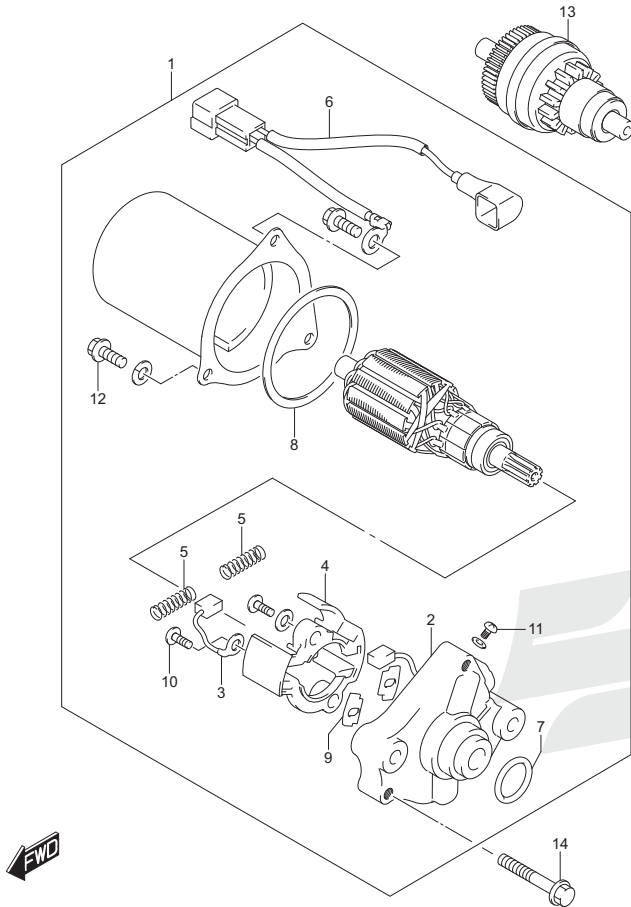
2



240A (C-3) KICK STARTER

REF NO.	PART NO.	DESCRIPTION	QTY	REMARKS
1	26210-08K00-000	SHAFT,KICK STARTER (NT:56)	1	
2	26212-46G00-000	SPRING,KICK STARTER SHAFT	1	
3	26213-39J00-000	BUSH,KICK SHAFT	1	
4	09160-14053-000	WASHER (14.5X22X0.8)	1	
5	08331-31149-000	CIRCLIP	1	
6	26200-39J00-000	GEAR ASSY,KICK STARTER DRIVEN (NT:10)	1	
7	26300-08K00-000	LEVER ASSY,KICK STARTER	1	
8	26351-08K00-000	.PEDAL,KICK STARTER	1	
9	09383-08002-000	.E RING	1	
10	09440-05005-000	.SPRING	1	
11	06112-07004-000	.BALL	1	
12	26314-33G30-000	BOLT,KICK STARTER LEVER	1	

301A



301A (C-4) STARTING MOTOR

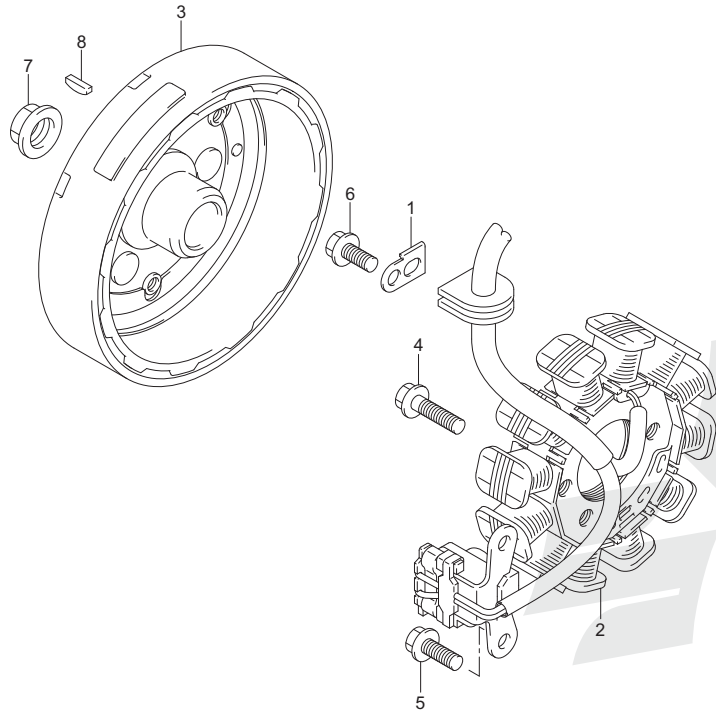
REF NO.	PART NO.	DESCRIPTION	QTY	REMARKS
1	31100-08K20-000	MOTOR ASSY,STARTING	1	
2	31130-08K20-000	.HOLDER ASSY,STARTING	1	
3	31131-08K20-000	.BRUSH,UNIT	2	
4	31132-08K20-000	.HOLDER,BRUSH	1	
5	31135-08K20-000	.SPRING	2	
6	31142-08K10-000	.WIRE,STARTER MOTOR	1	
7	31156-32G00-000	.O RING	1	
8	31157-08K20-000	.GASKET	1	
9	31173-08K20-000	.INSULATOR,BRUSH	1	
10	02112-34063-000	.SCREW	2	
11	02112-34088-000	.SCREW	1	
12	02112-3512A-000	.SCREW	3	
13	31370-32G00-000	PINION ASSY,STARTING MOTOR	1	
14	01547-0630A-000	BOLT	2	

2

303A

303A (C-5) MAGNETO

2

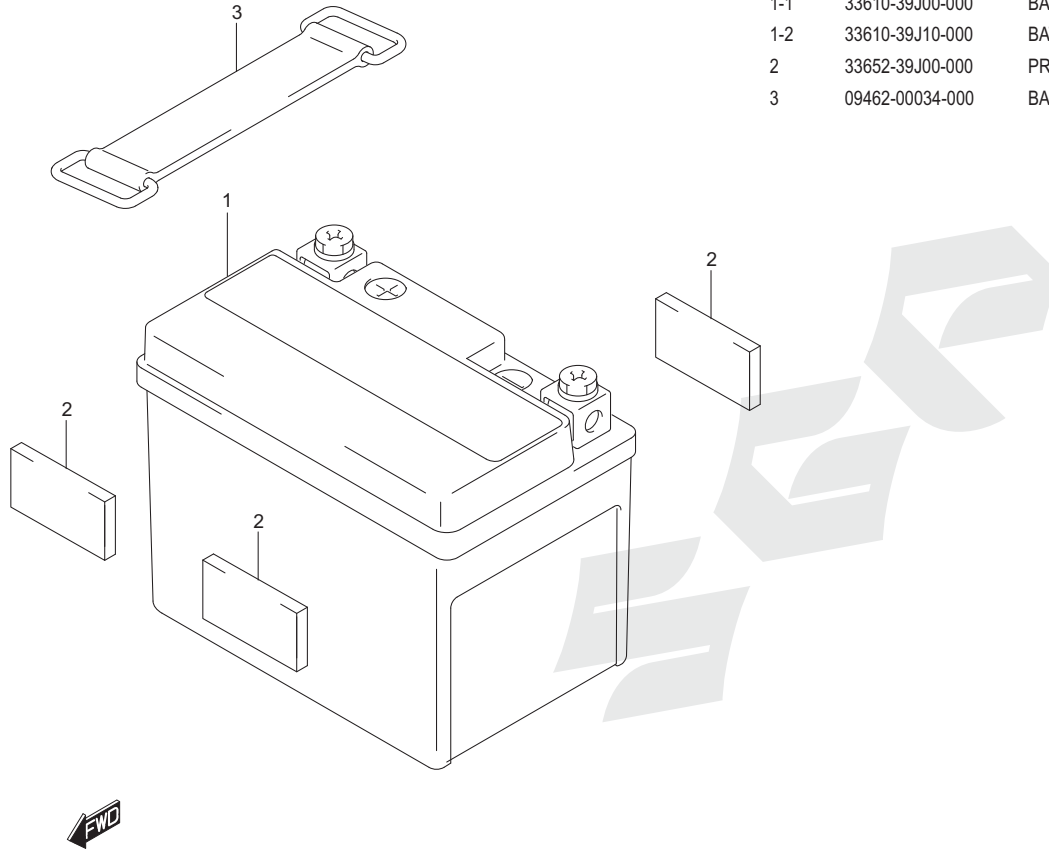


REF NO.	PART NO.	DESCRIPTION	QTY	REMARKS
1	31497-39J00-000	CLAMP,MAGNETO LEAD	1	
2	32101-02L00-000	STATOR ASSY	1	
3	32102-02L00-000	ROTOR ASSY	1	
4	07130-0625A-000	BOLT	2	
5	07130-0612A-000	BOLT	2	
6	07130-0612A-000	BOLT	1	
7	08316-1010A-000	NUT	1	
8	08341-31039-000	KEY	1	



310A

310A (C-6) BATTERY



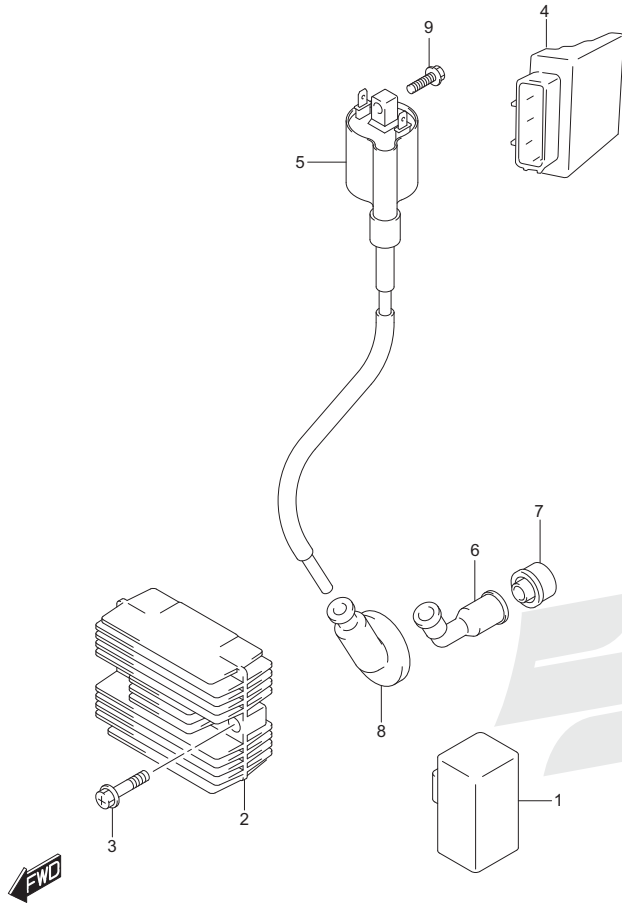
REF NO.	PART NO.	DESCRIPTION	QTY	REMARKS
1-1	33610-39J00-000	BATTERY ASSY (ETZ-4,12V3AH)	1	(NON-SERVICEABLE)
1-2	33610-39J10-000	BATTERY ASSY (ATZ4L,12V3AH)	1	(NON-SERVICEABLE)
2	33652-39J00-000	PROTECTOR,BATTERY	3	
3	09462-00034-000	BAND	1	



312A

312A (C-7) ELECTRICAL

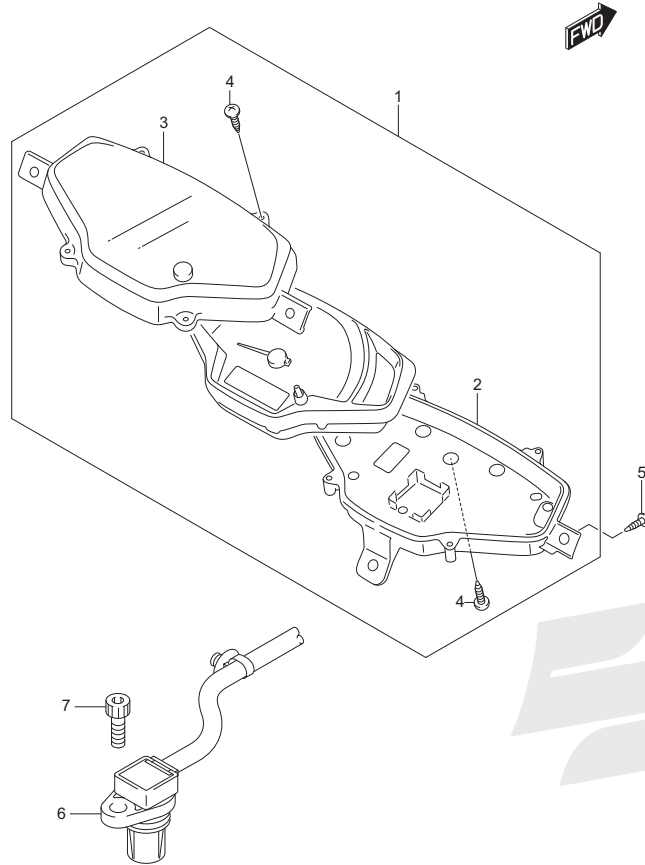
3



REF NO.	PART NO.	DESCRIPTION	QTY	REMARKS
1	31800-23J20-000	RELAY ASSY, STARTING MOTOR	1	
2	32800-02L00-000	RECTIFIER ASSY	1	
3	02162-0625A-000	SCREW	2	
4	32920-02L00-000	CONTROL UNIT,FI	1	
5	33410-02L00-000	COIL ASSY,IGNITION	1	
6	33510-08K00-000	CAP,SPARK PLUG	1	
7	33541-08K00-000	SEAL,SPARK PLUG	1	
8	33542-08K00-000	SEAL,HIGH TENSION CORD	1	
9	01547-0620A-000	BOLT	2	

330A

330A (C-8) SPEEDOMETER (UZ125NE,UZ125NEY,UZ125ND,UZ125NDY)



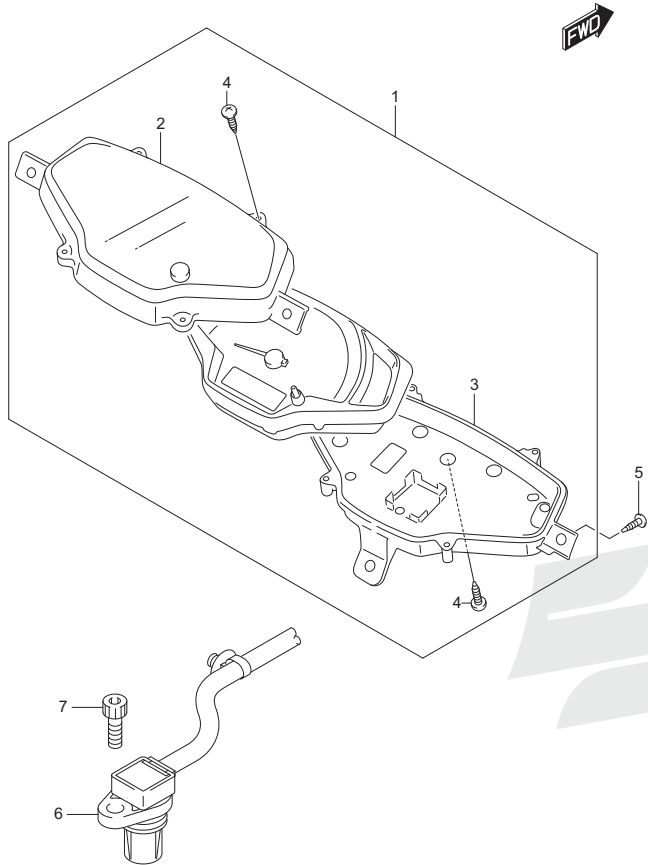
REF NO.	PART NO.	DESCRIPTION	QTY	REMARKS
1	34100-02L00-000	SPEEDOMETER ASSY	1	
2	34152-02L00-000	.LOWER CASE ASSY	1	
3	34154-02L00-000	.GLASS ASSY	1	
4	34383-10B00-000	.SCREW (3X16)	9	
5	03541-0516A-000	SCREW	3	
6	34990-44K00-000	SENSOR,SPEED	1	
7	07130-0616A-000	BOLT	1	

330B

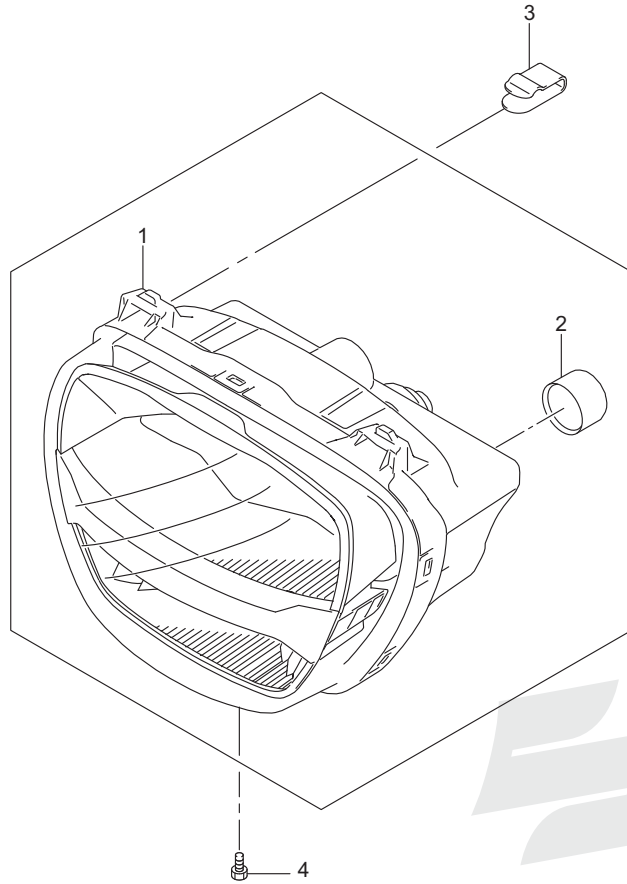
330B (C-9) SPEEDOMETER (UZ125NH)

REF NO.	PART NO.	DESCRIPTION	QTY	REMARKS
1	34100-02LA0-000	SPEEDOMETER ASSY	1	
2	34154-02L00-000	.GLASS ASSY	1	
3	34152-02L00-000	.LOWER CASE ASSY	1	
4	34383-10B00-000	.SCREW (3X16)	9	
5	03541-0516A-000	SCREW	3	
6	34990-44K00-000	SENSOR,SPEED	1	
7	07130-0616A-000	BOLT	1	

3



333A



333A (C-10) HEADLAMP

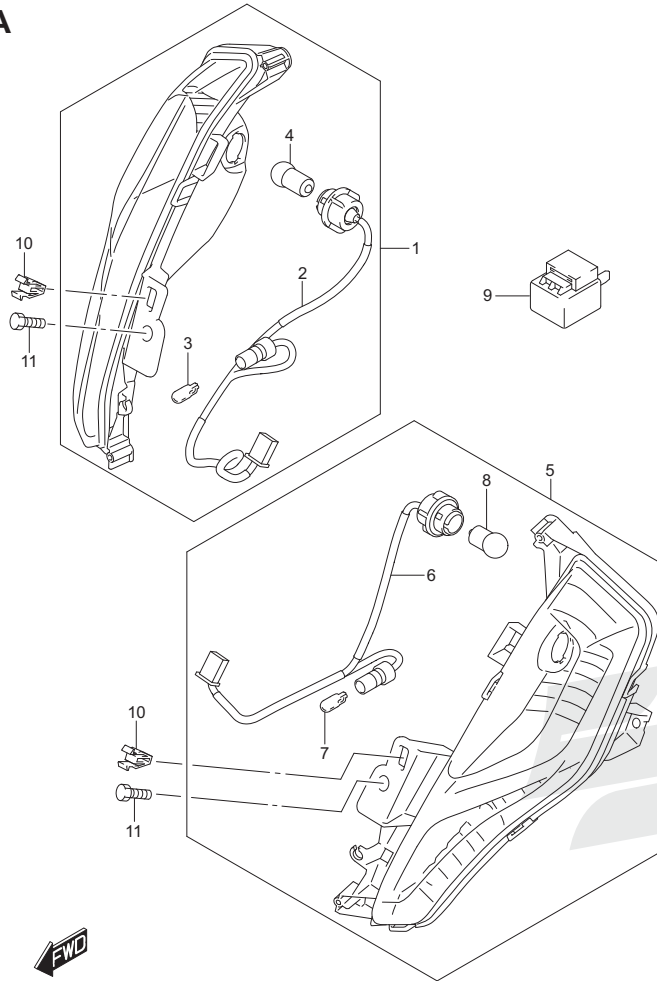
REF NO.	PART NO.	DESCRIPTION	QTY	REMARKS
1	35100-02L00-000	HEADLAMP ASSY	1	
2	35529-02L00-000	.CAP	2	
3	35194-23F00-000	CLIP,HEADLAMP	2	
4	09136-05051-000	SCREW (5X12)	1	



UZ125NEM0_P74_333A
HEADLAMP

335A

3

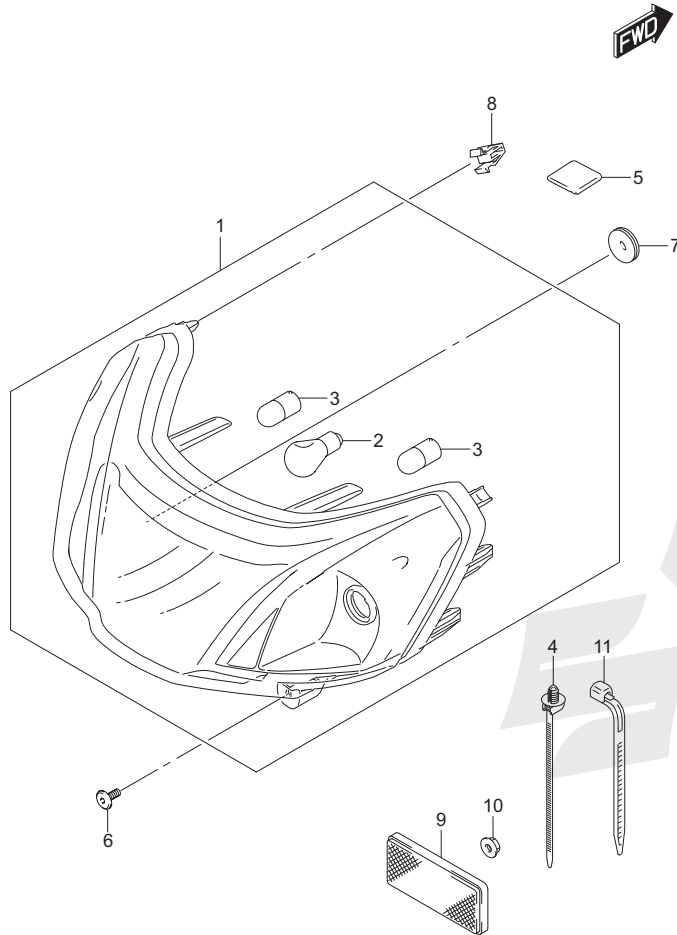


335A (C-11) FRONT TURNSIGNAL LAMP

REF NO.	PART NO.	DESCRIPTION	QTY	REMARKS
1	35601-08K00-000	LAMP ASSY,FRONT TURNSIGNAL RH	1	
2	35618-08K00-000	.CORD ASSY RH	1	
3	09471-12216-000	.BULB (12V5W)	1	
4	09471-12226-000	.BULB (12V10W)	1	
5	35602-08K00-000	LAMP ASSY,FRONT TURNSIGNAL LH	1	
6	35638-08K00-000	.CORD ASSY LH	1	
7	09471-12216-000	.BULB (12V5W)	1	
8	09471-12226-000	.BULB (12V10W)	1	
9	38610-27K00-000	RELAY ASSY,TURNSIGNAL	1	
10	09409-08L09-000	CLIP	2	
11	01550-0612A-000	BOLT	2	

339A

339A (C-12) REAR COMBINATION LAMP

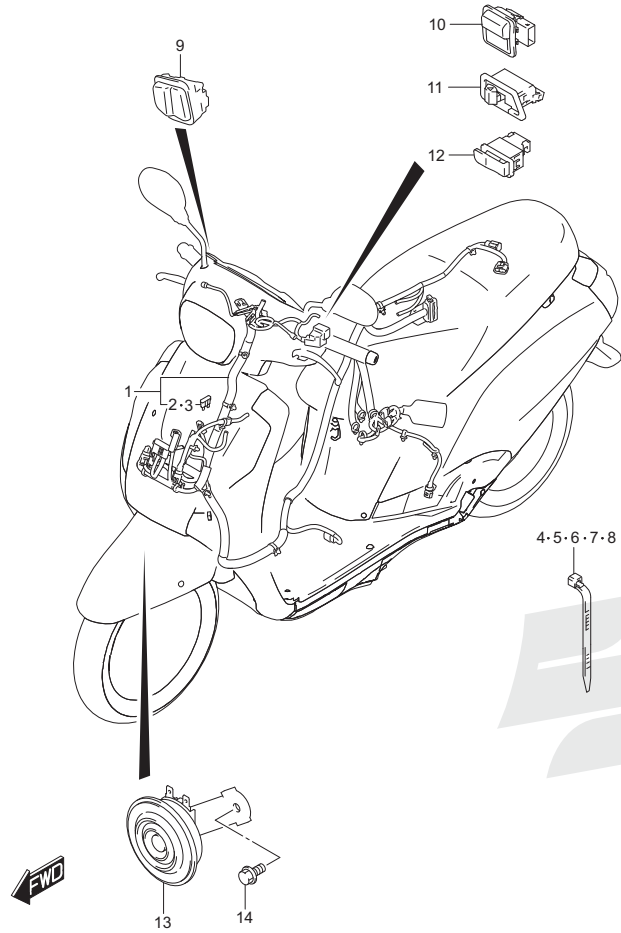


REF NO.	PART NO.	DESCRIPTION	QTY	REMARKS
1	35710-08KA0-000	LAMP ASSY,REAR COMB	1	
2	09471-12128-000	.BULB (12V21/5W,BF141-49642A)	1	
3	09471-12226-000	.BULB (12V10W)	2	
4	58623-27K00-000	CLAMP,CLUTCH CABLE NO.2	1	
5	13719-84150-000	CUSHION (40X40X5)	1	
6	09139-05092-000	SCREW (5X13)	2	
7	09320-08018-000	CUSHION (8X26X7)	2	
8	09409-08L09-000	CLIP	2	
9	35970-28G00-000	REFLECTOR ASSY,REAR	1	
10	08316-1005A-000	NUT	1	
11	09407-14L01-000	CLAMP,WIRING HARNESS (L:125)	1	

3

350A

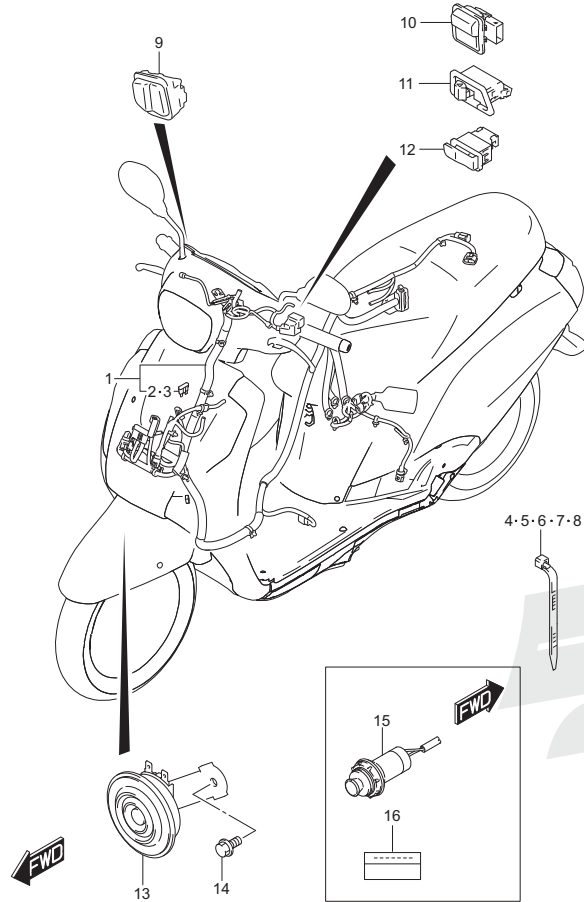
3



350A (C-13) WIRING HARNESS (UZ125ND,UZ125NE)

REF NO.	PART NO.	DESCRIPTION	QTY	REMARKS
1	36610-02L00-000	HARNESS,WIRING	1	
2	09481-15501-000	.FUSE (15A)	1	
3	09481-20501-000	.FUSE (20A)	1	
4	36990-70F20-000	CLAMP,COMB SW WIRE (L:165)	1	
5	09407-15L01-000	CLAMP (L:170)	1	
6	09407-14L01-000	CLAMP,WIRING HARNESS (L:125)	3	
7	09407-19L01-000	CLAMP,THROTTLE CABLE (L:190)	2	
8	09407-29L01-000	CLAMP (L:300)	1	
9	37310-02L00-000	SWITCH ASSY,STARTER	1	
10	37420-02L00-000	SWITCH ASSY,DIMMER	1	
11	37510-33G11-000	SWITCH ASSY,TURNSIGNAL	1	
12	37520-33G11-000	SWITCH ASSY,HORN	1	
13	38500-02L00-000	HORN ASSY	1	
14	01550-0612A-000	BOLT	1	

350B



350B (C-14) WIRING HARNESS (UZ125NDY,UZ125NEY)

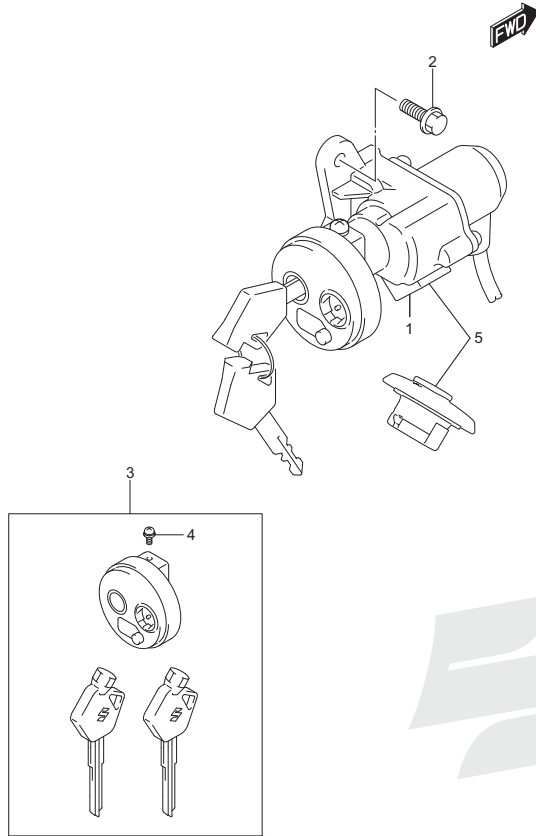
REF NO.	PART NO.	DESCRIPTION	QTY	REMARKS
1	36610-02L10-000	HARNESS,WIRING	1	
2	09481-15501-000	.FUSE (15A)	1	
3	09481-20501-000	.FUSE (20A)	1	
4	09407-15L01-000	CLAMP (L:170)	1	
5	09407-14L01-000	CLAMP,WIRING HARNESS (L:125)	3	
6	09407-19L01-000	CLAMP,THROTTLE CABLE (L:190)	2	
7	09407-29L01-000	CLAMP (L:300)	1	
8	36990-70F20-000	CLAMP,COMB SW WIRE (L:165)	1	
9	37310-02L00-000	SWITCH ASSY,STARTER	1	
10	37420-02L00-000	SWITCH ASSY,DIMMER	1	
11	37510-33G11-000	SWITCH ASSY,TURNSIGNAL	1	
12	37520-33G11-000	SWITCH ASSY,HORN	1	
13	38500-02L00-000	HORN ASSY	1	
14	01550-0612A-000	BOLT	1	
15	39105-44K00-000	SOCKET,USB	1	
16	38852-44K10-000	LABEL,USB AMP	1	

352A

352A (C-15) LOCK SET

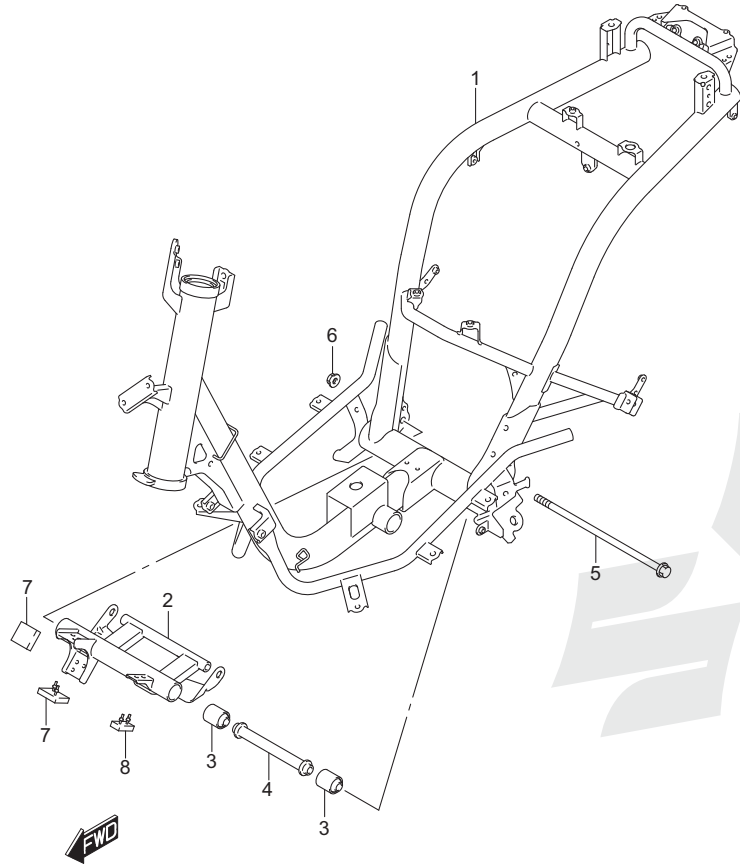
REF NO.	PART NO.	DESCRIPTION	QTY	REMARKS
1	37100-08K00-000	LOCK ASSY,STEERING	1	
2	01550-0616A-000	BOLT	2	
3	37155-08810-000	SHUTTER SET	1	
4	02112-3510A-000	.SCREW	1	
5	37011-08K00-000	LOCK SET	1	(WITH KEY 2 pcs)

3



401A

401A (C-16) FRAME



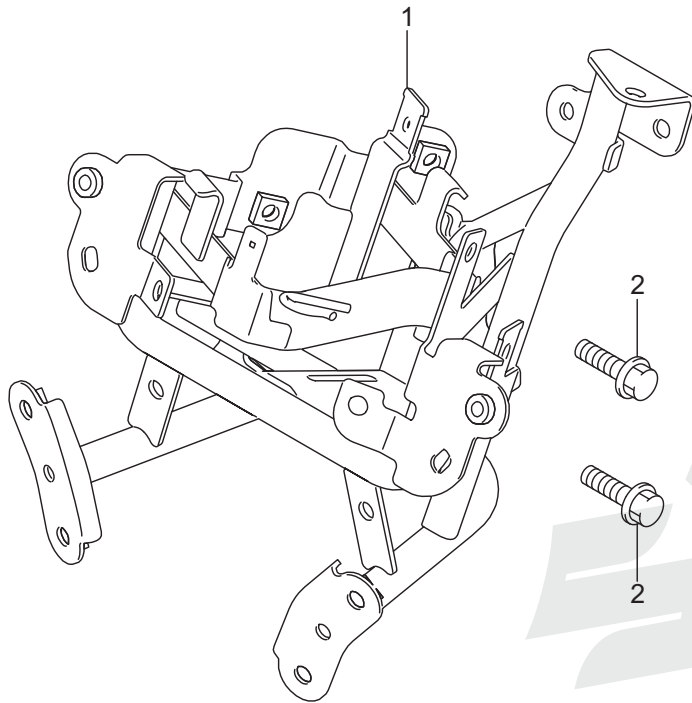
REF NO.	PART NO.	DESCRIPTION	QTY	REMARKS
1	41100-02L00-000	FRAME	1	
2	41180-39J30-000	BRACKET,CRANKCASE	1	
3	41184-39J00-000	BUSH,CRANKCASE BRKT	2	
4	41170-09J10-000	SPACER,CRANKCASE BRKT	1	
5	41189-39J00-000	BOLT,CRANKCASE BRKT (10X255)	1	
6	08319-3110A-000	NUT	1	
7	41185-09J00-000	CUSHION,SWING STOP	2	
8	41185-08K00-000	CUSHION,SWING STOP	1	

405A

405A (D-2) BATTERY HOLDER (UZ125NE,UZ125NEY)

REF NO.	PART NO.	DESCRIPTION	QTY	REMARKS
1	41540-02L00-000	HOLDER,BATTERY	1	
2	01550-0830A-000	BOLT	2	

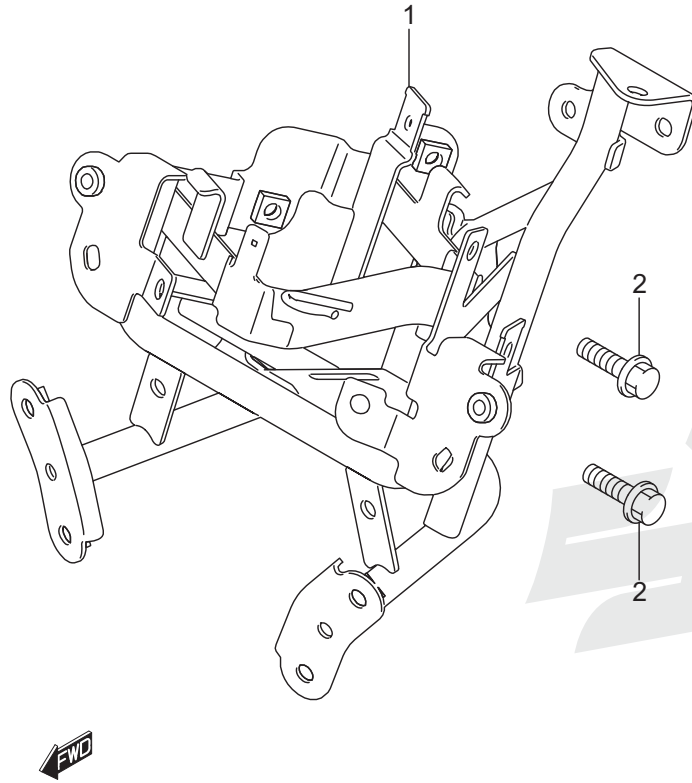
4



405B

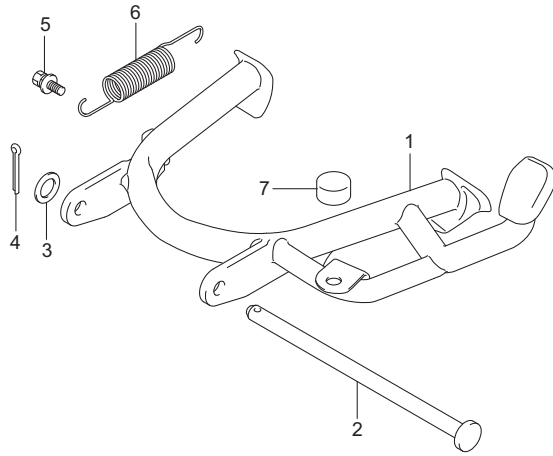
405B (D-3) BATTERY HOLDER (UZ125NH,UZ125ND,UZ125NDY)

REF NO.	PART NO.	DESCRIPTION	QTY	REMARKS
1	41540-02L10-000	HOLDER,BATTERY	1	
2	01550-0830A-000	BOLT	2	

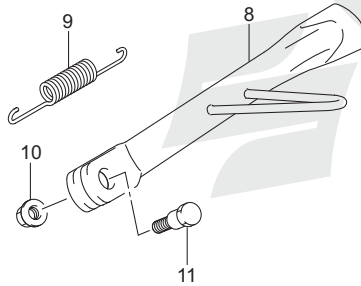


407A

407A (D-4) STAND



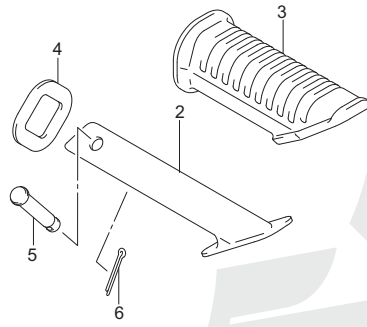
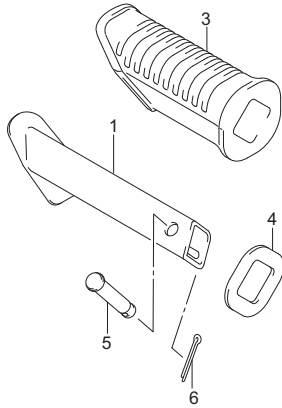
REF NO.	PART NO.	DESCRIPTION	QTY	REMARKS
1	42100-02L00-000	STAND,CENTER	1	
2	42211-39J00-000	SHAFT, CENTER STAND	1	
3	42275-25J00-000	WASHER, CENTER STAND	1	
4	04111-3020A-000	PIN	1	
5	42251-32G00-000	BOLT,CENTER STAND SPRING	1	
6	09443-17026-000	SPRING	1	
7	42278-44K00-000	CUSHION	1	
8	42310-08K00-000	STAND,PROP	1	
9	42421-33G20-000	SPRING, PROP STAND	1	
10	64147-33G10-000	NUT,FRONT HUB	1	
11	42341-27K00-000	BOLT,PROP STAND (10X33)	1	



4

415A

415A (D-5) FOOTREST



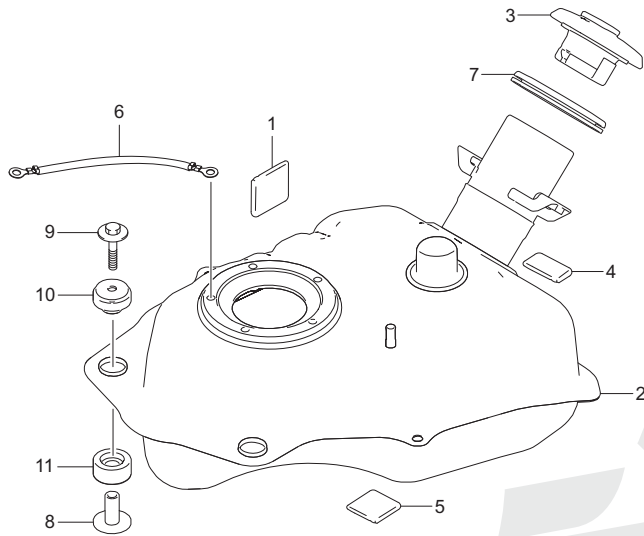
REF NO.	PART NO.	DESCRIPTION	QTY	REMARKS
1	43610-28G01-000	BAR,PILLION FOOTREST RH	1	
2	43710-28G01-000	BAR,PILLION FOOTREST LH	1	
3	43612-33G01-000	RUBBER,PILLION FOOTREST	2	
4	43631-09G00-000	WASHER,PILLION FOOTREST RUBBER 2	2	
5	09200-06057-000	PIN	2	
6	04111-2515A-000	PIN	2	



420A

420A (D-6) FUEL TANK

REF NO.	PART NO.	DESCRIPTION	QTY	REMARKS
1	13719-84150-000	CUSHION (40X40X5)	3	
2	44110-02L00-000	TANK,FUEL	1	
3	44200-02L00-000	CAP ASSY,FUEL TANK FILLER	1	(WITH KEY 2 pcs)
4	44281-02L00-000	CUSHION,FUEL TANK UPR 2	1	
5	44281-29C00-000	CUSHION (30X30X3)	6	
6	36851-02L00-000	WIRE,FUEL TANK	1	
7	44261-02L00-000	RUBBER,FUEL TANK INLET	1	
8	44544-27K00-000	SPACER,FUEL TANK RR CUSHION	2	
9	09116-06097-000	BOLT (6X35)	2	
10	44541-44J00-000	CUSHION, FUEL TANK RR UPR	2	
11	44542-44J00-000	CUSHION, FUEL TANK RR LWR	2	

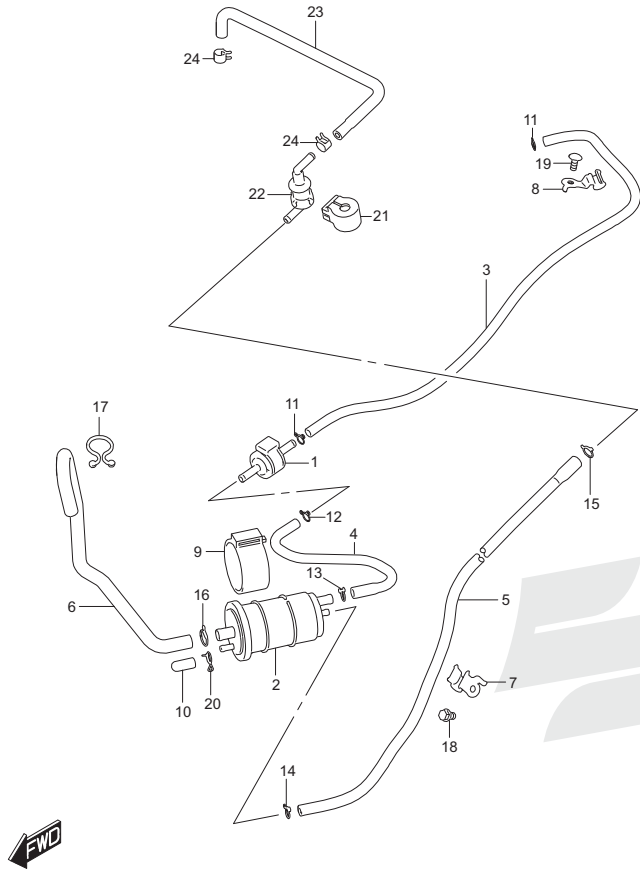


4



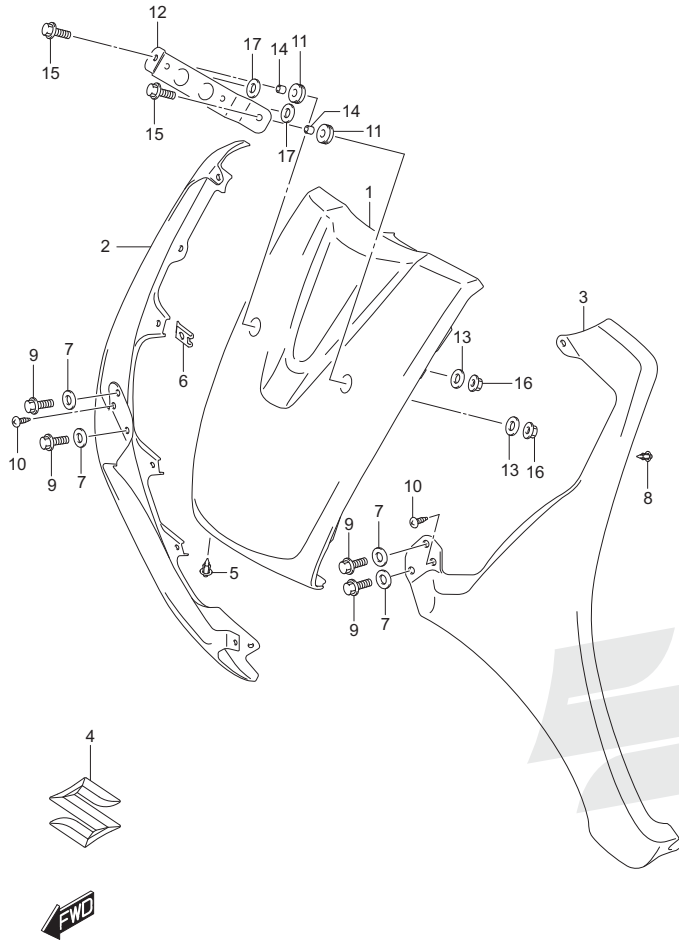
427A

427A (D-7) EVAP SYSTEM



REF NO.	PART NO.	DESCRIPTION	QTY	REMARKS
1	18510-39J20-000	VALVE ASSY,PURGE ONE WAY	1	
2	18560-02L00-000	CANISTER ASSY,EVAP	1	
3	18561-02L00-000	HOSE,CSTR PURGE NO.1	1	
4	18562-02L00-000	HOSE,CSTR PURGE NO.2	1	
5	18563-02L00-000	HOSE,CSTR SURGE	1	
6	18567-02L00-000	HOSE,CSTR AIR	1	
7	18571-02L00-000	CLAMP,PURGE HOSE NO.1	1	
8	18572-02L00-000	CLAMP,PURGE HOSE NO.2	1	
9	18573-02L00-000	CUSHION,CANISTER	1	
10	09251-04004-000	CAP, CANISTER DRAIN	1	
11	09401-08001-000	CLIP,CANISTER PURGE HOSE NO.1	2	
12	09401-08001-000	CLIP,CANISTER PURGE HOSE NO.1	1	
13	09401-09101-000	CLIP	1	
14	09401-09101-000	CLIP	1	
15	09401-10401-000	CLIP	1	
16	09401-13102-000	CLIP	1	
17	09408-00343-000	CLAMP,DRAIN HOSE	1	
18	01547-0610A-000	BOLT	1	
19	03541-0512A-000	SCREW	1	
20	09401-09406-000	CLIP,CSTR PURGE HOSE NO.2	1	
21	44894-39J10-000	CUSHION, FUEL TANK BRTHR	1	
22	44240-13H00-000	VALVE,FUEL TANK BRTHR	1	
23	44434-02L00-000	HOSE,TANK & BRTHR VALVE	1	
24	09401-09L03-000	CLIP, FUEL HOSE (ID:9.4,H:8)	2	

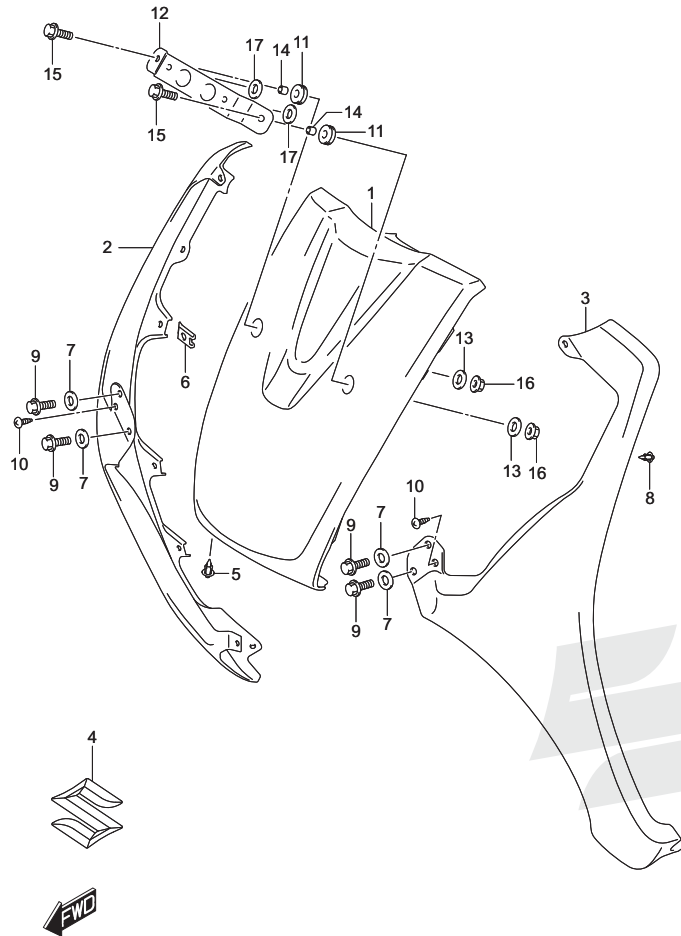
435A



435A (D-8) FRONT LEG SHIELD (UZ125NE)

REF NO.	PART NO.	DESCRIPTION	QTY	REMARKS
1-1	48111-08K10-PGZ	SHIELD,LEG FRONT (GRAY)	1	
1-2	48111-08K10-SAB	SHIELD,LEG FRONT (SILVER)	1	
1-3	48111-08K10-YBA	SHIELD,LEG FRONT (BLUE)	1	
1-4	48111-08K10-YPA	SHIELD,LEG FRONT (WHITE)	1	
1-5	48111-08K10-YVB	SHIELD,LEG FRONT (BLACK)	1	
2-1	48211-08K00-PGZ	SHIELD,LEG FRONT RH (GRAY)	1	
2-2	48211-08K00-SAB	SHIELD,LEG FRONT RH (SILVER)	1	
2-3	48211-08K00-YBA	SHIELD,LEG FRONT RH (BLUE)	1	
2-4	48211-08K00-YPA	SHIELD,LEG FRONT RH (WHITE)	1	
2-5	48211-08K00-YVB	SHIELD,LEG FRONT RH (BLACK)	1	
3-1	48221-08K00-PGZ	SHIELD,LEG FRONT LH (GRAY)	1	
3-2	48221-08K00-SAB	SHIELD,LEG FRONT LH (SILVER)	1	
3-3	48221-08K00-YBA	SHIELD,LEG FRONT LH (BLUE)	1	
3-4	48221-08K00-YPA	SHIELD,LEG FRONT LH (WHITE)	1	
3-5	48221-08K00-YVB	SHIELD,LEG FRONT LH (BLACK)	1	
4	68641-33GC0-000	EMBLEM,"S"	1	
5	09409-06L07-000	CLIP	2	
6	48214-08K00-000	NUT,LEG FRONT	12	
7	09160-06060-000	WASHER (6.5X20X1.2)	4	
8	09409-06L07-000	CLIP	2	
9	01550-0612A-000	BOLT	4	
10	03541-0512A-000	SCREW	4	
11	47161-23J00-000	CUSHION (10X22X7)	2	
12	48191-08K00-000	PLATE,FRONT LICENSE	1	
13	09160-06060-000	WASHER (6.5X20X1.2)	2	
14	09180-06082-000	SPACER (6.5X10.5X6.5)	2	
15	01550-0616A-000	BOLT	2	
16	08316-1006A-000	NUT	2	
17	09160-05501-000	WASHER (5.5X20X1.2)	2	

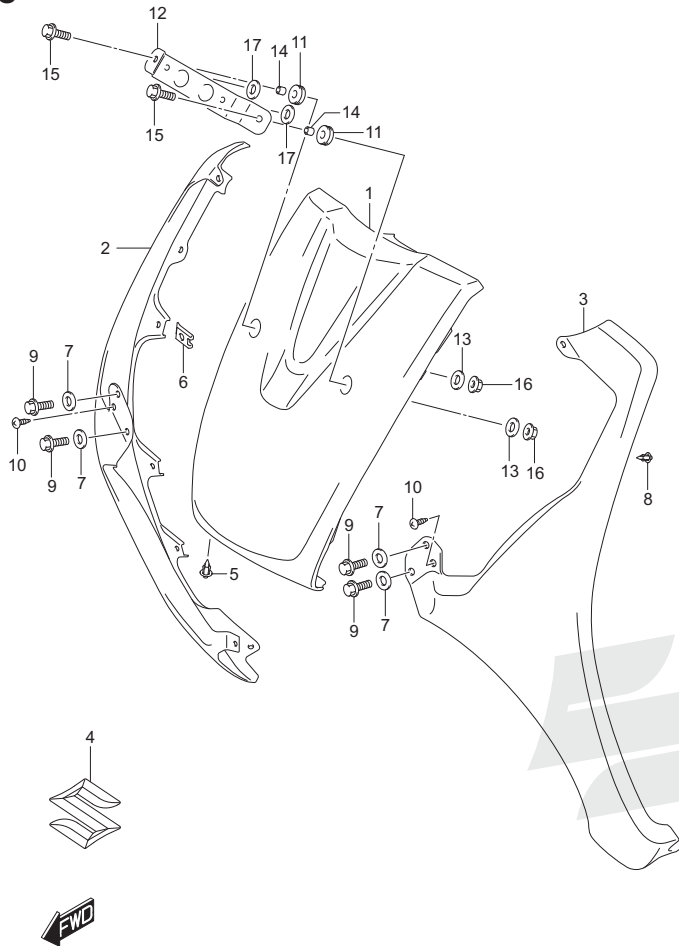
435B



435B (D-9) FRONT LEG SHIELD (UZ125NH,UZ125ND)

REF NO.	PART NO.	DESCRIPTION	QTY	REMARKS
1-1	48111-08K10-SAB	SHIELD,LEG FRONT (SILVER)	1	
1-2	48111-08K10-YBA	SHIELD,LEG FRONT (BLUE)	1	
1-3	48111-08K10-YPA	SHIELD,LEG FRONT (WHITE)	1	
1-4	48111-08K10-YVB	SHIELD,LEG FRONT (BLACK)	1	
2-1	48211-08K00-SAB	SHIELD,LEG FRONT RH (SILVER)	1	
2-2	48211-08K00-YBA	SHIELD,LEG FRONT RH (BLUE)	1	
2-3	48211-08K00-YPA	SHIELD,LEG FRONT RH (WHITE)	1	
2-4	48211-08K00-YVB	SHIELD,LEG FRONT RH (BLACK)	1	
3-1	48221-08K00-SAB	SHIELD,LEG FRONT LH (SILVER)	1	
3-2	48221-08K00-YBA	SHIELD,LEG FRONT LH (BLUE)	1	
3-3	48221-08K00-YPA	SHIELD,LEG FRONT LH (WHITE)	1	
3-4	48221-08K00-YVB	SHIELD,LEG FRONT LH (BLACK)	1	
4	68641-33GC0-000	EMBLEM,"S"	1	
5	09409-06L07-000	CLIP	2	
6	48214-08K00-000	NUT,LEG FRONT	12	
7	09160-06060-000	WASHER (6.5X20X1.2)	4	
8	09409-06L07-000	CLIP	2	
9	01550-0612A-000	BOLT	4	
10	03541-0512A-000	SCREW	4	
11	47161-23J00-000	CUSHION (10X22X7)	2	
12	48191-08K00-000	PLATE,FRONT LICENSE	1	
13	09160-06060-000	WASHER (6.5X20X1.2)	2	
14	09180-06082-000	SPACER (6.5X10.5X6.5)	2	
15	01550-0616A-000	BOLT	2	
16	08316-1006A-000	NUT	2	
17	09160-05501-000	WASHER (5.5X20X1.2)	2	

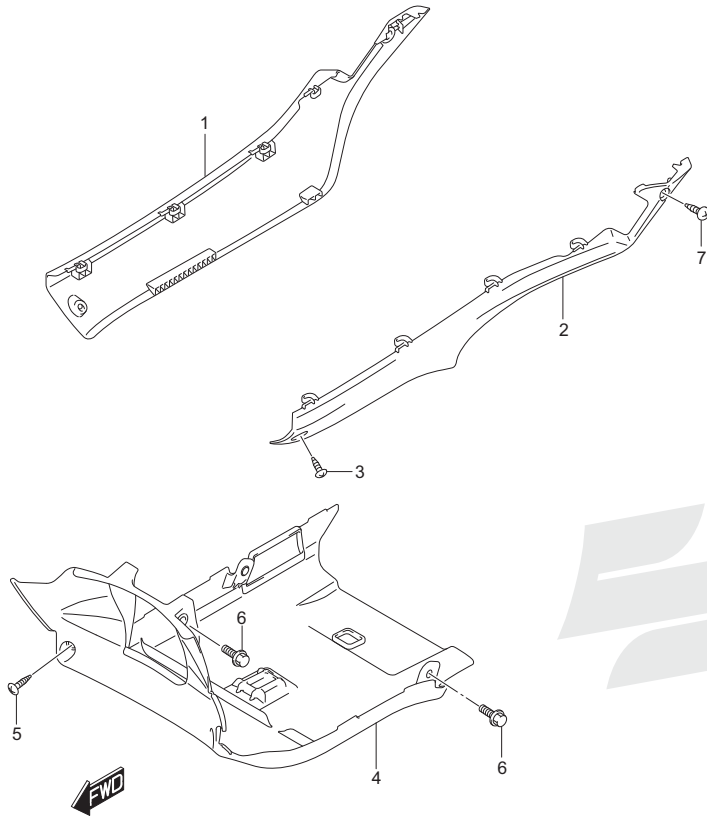
435C



435C (D-10) FRONT LEG SHIELD (UZ125NDY,UZ125NEY)

REF NO.	PART NO.	DESCRIPTION	QTY	REMARKS
1-1	48111-08K10-YKV	SHIELD,LEG FRONT (BLACK)	1	
1-2	48111-08K10-YPA	SHIELD,LEG FRONT (WHITE)	1	
1-3	48111-08K10-QMV	SHIELD,LEG FRONT (RED)	1	
1-4	48111-08K10-QTZ	SHIELD,LEG FRONT (BLUE)	1	
2-1	48211-08K00-YKV	SHIELD,LEG FRONT RH (BLACK)	1	
2-2	48211-08K00-YPA	SHIELD,LEG FRONT RH (WHITE)	1	
2-3	48211-08K00-QMV	SHIELD,LEG FRONT RH (RED)	1	
2-4	48211-08K00-QTZ	SHIELD,LEG FRONT RH (BLUE)	1	
3-1	48221-08K00-YKV	SHIELD,LEG FRONT LH (BLACK)	1	
3-2	48221-08K00-YPA	SHIELD,LEG FRONT LH (WHITE)	1	
3-3	48221-08K00-QMV	SHIELD,LEG FRONT LH (RED)	1	
3-4	48221-08K00-QTZ	SHIELD,LEG FRONT LH (BLUE)	1	
4	68641-33GC0-000	EMBLEM,"S"	1	
5	09409-06L07-000	CLIP	2	
6	48214-08K00-000	NUT,LEG FRONT	12	
7	09160-06060-000	WASHER (6.5X20X1.2)	4	
8	09409-06L07-000	CLIP	2	
9	01550-0612A-000	BOLT	4	
10	03541-0512A-000	SCREW	4	
11	47161-23J00-000	CUSHION (10X22X7)	2	
12	48191-08K00-000	PLATE,FRONT LICENSE	1	
13	09160-06060-000	WASHER (6.5X20X1.2)	2	
14	09180-06082-000	SPACER (6.5X10.5X6.5)	2	
15	01550-0616A-000	BOLT	2	
16	08316-1006A-000	NUT	2	
17	09160-05501-000	WASHER (5.5X20X1.2)	2	

438A



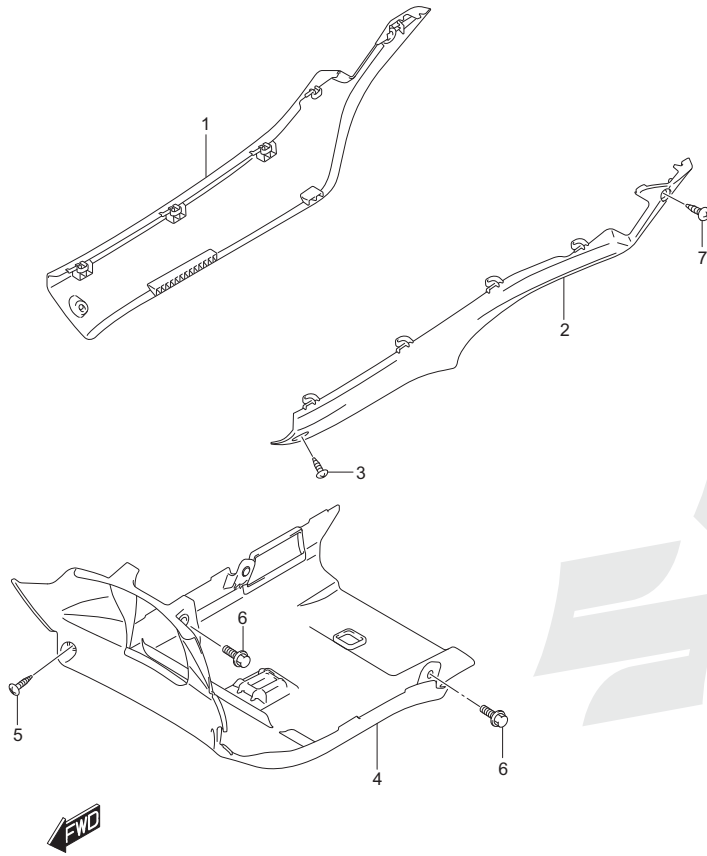
438A (D-11) SIDE LEG SHIELD (UZ125NE)

REF NO.	PART NO.	DESCRIPTION	QTY	REMARKS
1-1	48132-08K00-PGZ	SHIELD,LEG SIDE RH (GRAY)	1	
1-2	48132-08K00-SAB	SHIELD,LEG SIDE RH (SILVER)	1	
1-3	48132-08K00-YBA	SHIELD,LEG SIDE RH (BLUE)	1	
1-4	48132-08K00-YPA	SHIELD,LEG SIDE RH (WHITE)	1	
1-5	48132-08K00-YVB	SHIELD,LEG SIDE RH (BLACK)	1	
2-1	48133-08K00-PGZ	SHIELD,LEG SIDE LH (GRAY)	1	
2-2	48133-08K00-SAB	SHIELD,LEG SIDE LH (SILVER)	1	
2-3	48133-08K00-YBA	SHIELD,LEG SIDE LH (BLUE)	1	
2-4	48133-08K00-YPA	SHIELD,LEG SIDE LH (WHITE)	1	
2-5	48133-08K00-YVB	SHIELD,LEG SIDE LH (BLACK)	1	
3	03541-0516A-000	SCREW	2	
4	48131-08K00-291	COVER,UNDER (BLACK)	1	
5	03541-0516A-000	SCREW	2	
6	01550-0612A-000	BOLT	4	
7	47155-30H00-000	SCREW,FRAME COVER RR	2	

438B

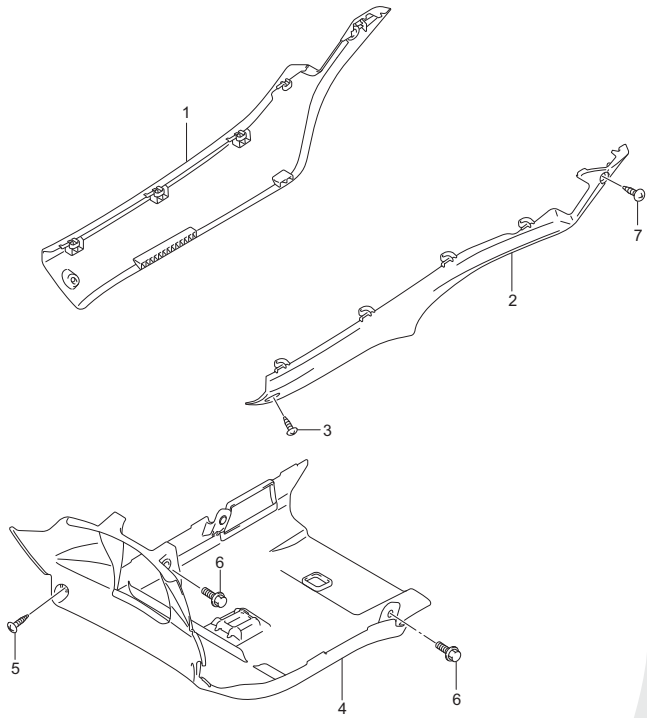
438B (D-12) SIDE LEG SHIELD (UZ125NH,UZ125ND)

4



REF NO.	PART NO.	DESCRIPTION	QTY	REMARKS
1-1	48132-08K00-SAB	SHIELD,LEG SIDE RH (SILVER)	1	
1-2	48132-08K00-YBA	SHIELD,LEG SIDE RH (BLUE)	1	
1-3	48132-08K00-YPA	SHIELD,LEG SIDE RH (WHITE)	1	
1-4	48132-08K00-YVB	SHIELD,LEG SIDE RH (BLACK)	1	
2-1	48133-08K00-SAB	SHIELD,LEG SIDE LH (SILVER)	1	
2-2	48133-08K00-YBA	SHIELD,LEG SIDE LH (BLUE)	1	
2-3	48133-08K00-YPA	SHIELD,LEG SIDE LH (WHITE)	1	
2-4	48133-08K00-YVB	SHIELD,LEG SIDE LH (BLACK)	1	
3	03541-0516A-000	SCREW	2	
4	48131-08K00-291	COVER,UNDER (BLACK)	1	
5	03541-0516A-000	SCREW	2	
6	01550-0612A-000	BOLT	4	
7	47155-30H00-000	SCREW,FRAME COVER RR	2	

438C



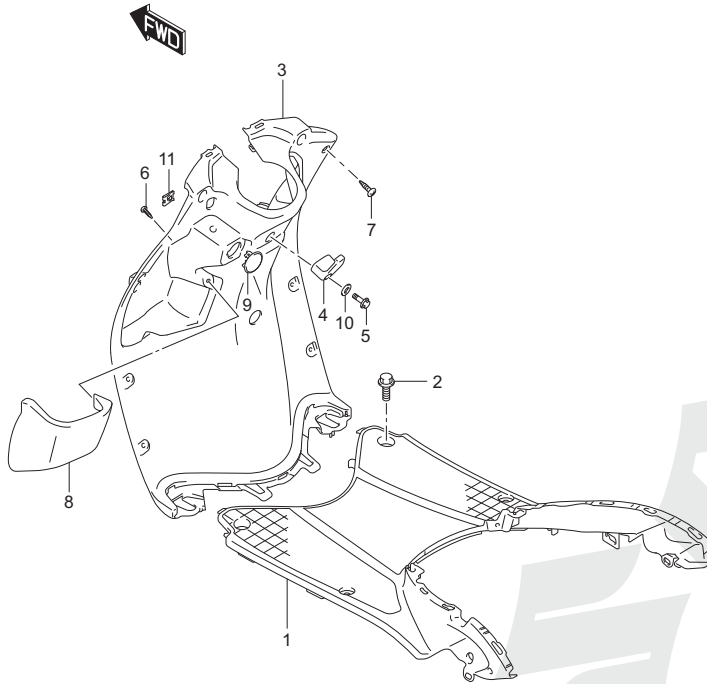
438C (D-13) SIDE LEG SHIELD (UZ125NDY,UZ125NEY)

REF NO.	PART NO.	DESCRIPTION	QTY	REMARKS
1-1	48132-08K00-YKV	SHIELD,LEG SIDE RH (BLACK)	1	
1-2	48132-08K00-YPA	SHIELD,LEG SIDE RH (WHITE)	1	
1-3	48132-08K00-QMV	SHIELD,LEG SIDE RH (RED)	1	
1-4	48132-08K00-QTZ	SHIELD,LEG SIDE RH (BLUE)	1	
2-1	48133-08K00-YKV	SHIELD,LEG SIDE LH (BLACK)	1	
2-2	48133-08K00-YPA	SHIELD,LEG SIDE LH (WHITE)	1	
2-3	48133-08K00-QMV	SHIELD,LEG SIDE LH (RED)	1	
2-4	48133-08K00-QTZ	SHIELD,LEG SIDE LH (BLUE)	1	
3	03541-0516A-000	SCREW	2	
4	48131-08K00-291	COVER,UNDER (BLACK)	1	
5	03541-0516A-000	SCREW	2	
6	01550-0612A-000	BOLT	4	
7	47155-30H00-000	SCREW,FRAME COVER RR	2	

440A

440A (D-14) REAR LEG SHIELD (UZ125NE)

REF NO.	PART NO.	DESCRIPTION	QTY	REMARKS
1	48121-08K00-291	FOOTBOARD,LEG SHIELD (BLACK)	1	
2	09111-06072-000	BOLT (6X17.8)	4	
3	92111-02L10-291	COVER,LEG SHIELD (BLACK)	1	
4	92171-08K00-291	HOOK,LEG SHIELD (BLACK)	1	
5	92172-44K00-000	BOLT,LEG SHIELD HOOK	1	
6	03541-0516A-000	SCREW	3	
7	03541-0516B-000	SCREW	10	
8	92112-08K00-291	RACK,LEG SHIELD (BLACK)	1	
9	92125-39J01-000	CAP,SOCKET HOLE	1	
10	08322-0106A-000	WASHER	1	
11	47349-34J01-000	NUT (M5)	2	

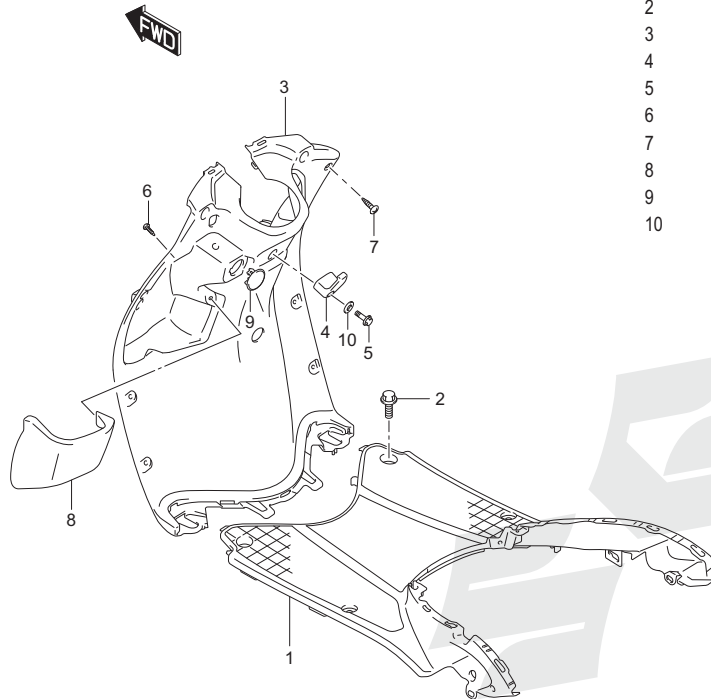


4

440B

440B (D-15) REAR LEG SHIELD (UZ125NH,UZ125ND)

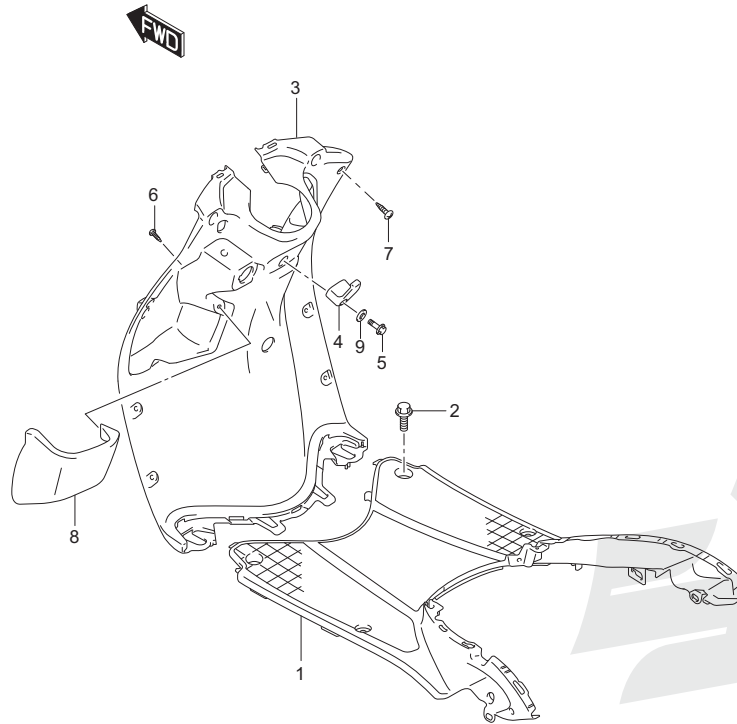
REF NO.	PART NO.	DESCRIPTION	QTY	REMARKS
1	48121-08K00-291	FOOTBOARD,LEG SHIELD (BLACK)	1	
2	09111-06072-000	BOLT (6X17.8)	4	
3	92111-02L00-291	COVER,LEG SHIELD (BLACK)	1	
4	92171-08K00-291	HOOK,LEG SHIELD (BLACK)	1	
5	92172-44K00-000	BOLT,LEG SHIELD HOOK	1	
6	03541-0516A-000	SCREW	3	
7	03541-0516B-000	SCREW	10	
8	92112-08K00-291	RACK,LEG SHIELD (BLACK)	1	
9	92125-39J01-000	CAP,SOCKET HOLE	1	
10	08322-0106A-000	WASHER	1	



440C

440C (D-16) REAR LEG SHIELD (UZ125NDY)

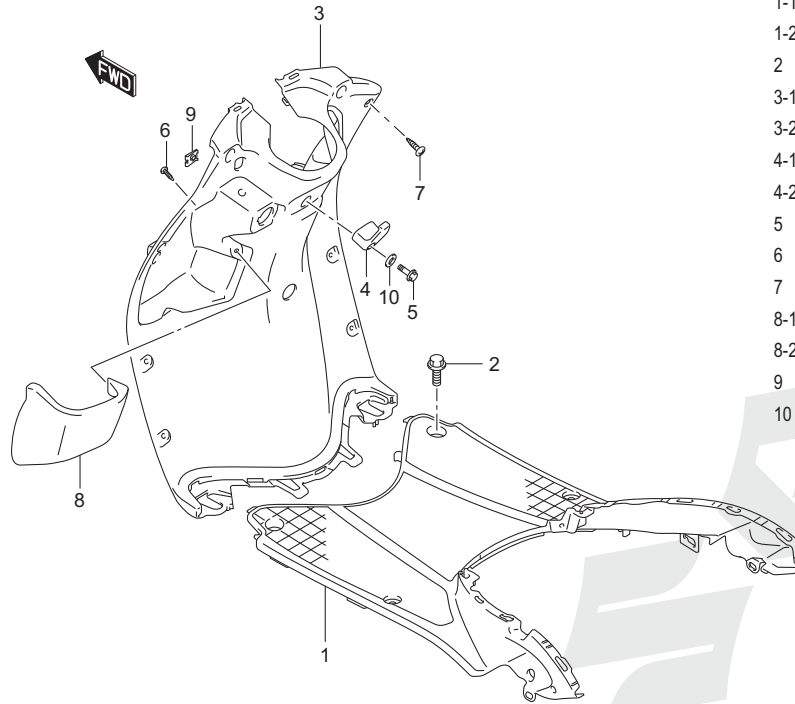
REF NO.	PART NO.	DESCRIPTION	QTY	REMARKS
1-1	48121-08K00-291	FOOTBOARD,LEG SHIELD (BLACK)	1	BODY COLOR:YKV
1-2	48121-08K10-U1G	FOOTBOARD,LEG SHIELD (MAROON)	1	BODY COLOR:YPA,QMV,QTZ
2	09111-06072-000	BOLT (6X17.8)	4	
3-1	92111-02L00-291	COVER,LEG SHIELD (BLACK)	1	BODY COLOR:YKV
3-2	92111-02L20-U1G	COVER,LEG SHIELD (MAROON)	1	BODY COLOR:YPA,QMV,QTZ
4-1	92171-08K00-291	HOOK,LEG SHIELD (BLACK)	1	BODY COLOR:YKV
4-2	92171-08K10-U1G	HOOK,LEG SHIELD (MAROON)	1	BODY COLOR:YPA,QMV,QTZ
5	92172-44K00-000	BOLT,LEG SHIELD HOOK	1	
6	03541-0516A-000	SCREW	3	
7	03541-0516B-000	SCREW	10	
8-1	92112-08K00-291	RACK,LEG SHIELD (BLACK)	1	BODY COLOR:YKV
8-2	92112-08K10-U1G	RACK,LEG SHIELD (MAROON)	1	BODY COLOR:YKV,QMV,QTZ
9	08322-0106A-000	WASHER	1	



4

440D

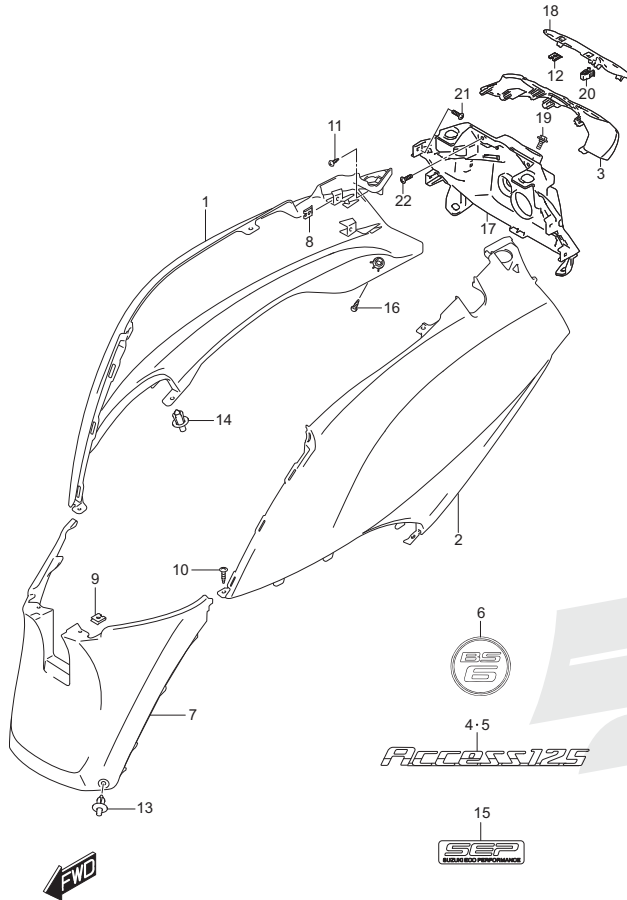
440D (E-2) REAR LEG SHIELD (UZ125NEY)



REF NO.	PART NO.	DESCRIPTION	QTY	REMARKS
1-1	48121-08K00-291	FOOTBOARD,LEG SHIELD (BLACK)	1	BODY COLOR:YKV
1-2	48121-08K10-U1G	FOOTBOARD,LEG SHIELD (MAROON)	1	BODY COLOR:YPA,QMV,QTZ
2	09111-06072-000	BOLT (6X17.8)	4	
3-1	92111-02L10-291	COVER,LEG SHIELD (BLACK)	1	BODY COLOR:YKV
3-2	92111-02L30-U1G	COVER,LEG SHIELD (MAROON)	1	BODY COLOR:YPA,QMV,QTZ
4-1	92171-08K00-291	HOOK,LEG SHIELD (BLACK)	1	BODY COLOR:YKV
4-2	92171-08K10-U1G	HOOK,LEG SHIELD (MAROON)	1	BODY COLOR:YPA,QMV,QTZ
5	92172-44K00-000	BOLT,LEG SHIELD HOOK	1	
6	03541-0516A-000	SCREW	3	
7	03541-0516B-000	SCREW	10	
8-1	92112-08K00-291	RACK,LEG SHIELD (BLACK)	1	BODY COLOR:YKV
8-2	92112-08K10-U1G	RACK,LEG SHIELD (MAROON)	1	BODY COLOR:YPA,QMV,QTZ
9	47349-34J01-000	NUT (M5)	2	
10	08322-0106A-000	WASHER	1	

445A

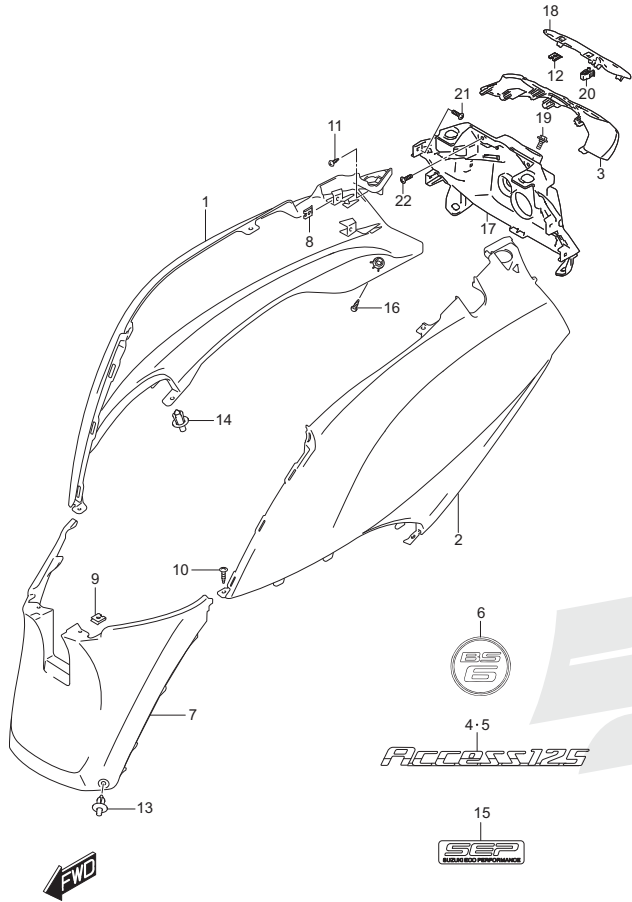
4



445A (E-3) FRAME COVER (UZ125NE)

REF NO.	PART NO.	DESCRIPTION	QTY	REMARKS
1-1	47111-08K03-PGZ	COVER,FRAME RH (GRAY)	1	
1-2	47111-08K03-SAB	COVER,FRAME RH (SILVER)	1	
1-3	47111-08K03-YBA	COVER,FRAME RH (BLUE)	1	
1-4	47111-08K03-YPA	COVER,FRAME RH (WHITE)	1	
1-5	47111-08K03-YVB	COVER,FRAME RH (BLACK)	1	
2-1	47211-02L00-PGZ	COVER,FRAME LH (GRAY)	1	
2-2	47211-02L00-SAB	COVER,FRAME LH (SILVER)	1	
2-3	47211-02L00-YBA	COVER,FRAME LH (BLUE)	1	
2-4	47211-02L00-YPA	COVER,FRAME LH (WHITE)	1	
2-5	47211-02L00-YVB	COVER,FRAME LH (BLACK)	1	
3-1	47311-02L00-PGZ	COVER,FRAME CENTER (GRAY)	1	
3-2	47311-02L00-SAB	COVER,FRAME CENTER (SILVER)	1	
3-3	47311-02L00-YBA	COVER,FRAME CENTER (BLUE)	1	
3-4	47311-02L00-YPA	COVER,FRAME CENTER (WHITE)	1	
3-5	47311-02L00-YVB	COVER,FRAME CENTER (BLACK)	1	
4	68131-08K00-000	EMBLEM,FRAME COVER RH	1	
5	68141-08K00-000	EMBLEM,FRAME COVER LH	1	
6	68131-02L00-000	EMBLEM,"BS6"	1	
7	47121-08K00-291	COVER,FRAME FRONT (BLACK)	1	
8	09148-05060-000	NUT	6	
9	09148-05060-000	NUT	2	
10	03541-0516A-000	SCREW	2	
11	03541-0516A-000	SCREW	2	
12	09148-05060-000	NUT	2	
13	09409-06L07-000	CLIP	2	
14	09409-06L07-000	CLIP	2	
15	68136-39J00-000	EMBLEM,FRAME COVER	1	
16	03541-0520A-000	SCREW	2	
17	47312-02L00-000	BRACKET,FRAME COVER	1	
18-1	47313-02L00-PGZ	COVER,FRAME CTR NO.2 (GRAY)	1	
18-2	47313-02L00-SAB	COVER,FRAME CTR NO.2 (SILVER)	1	
18-3	47313-02L00-YBA	COVER,FRAME CTR NO.2 (BLUE)	1	

445A

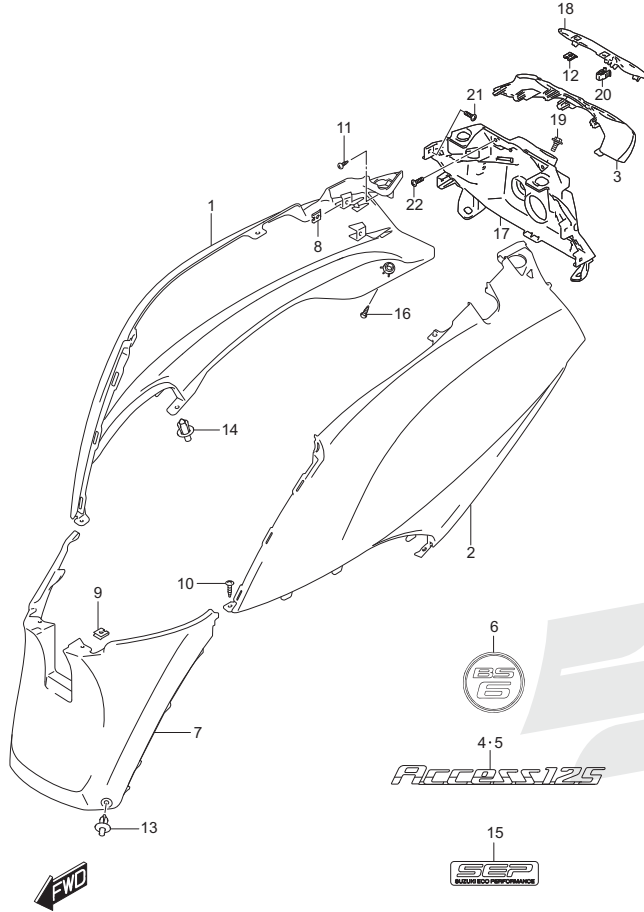


445A (E-4) FRAME COVER (UZ125NE)

REF NO.	PART NO.	DESCRIPTION	QTY	REMARKS
18-4	47313-02L00-YPA	COVER,FRAME CTR NO.2 (WHITE)	1	BODY COLOR:YPA
18-5	47313-02L00-YVB	COVER,FRAME CTR NO.2 (BLACK)	1	BODY COLOR:YVB
19	09111-06109-000	BOLT (6X14.8)	2	
20	09409-08L09-000	CLIP	4	
21	03541-0516A-000	SCREW	4	
22	03541-0516A-000	SCREW	4	

445B

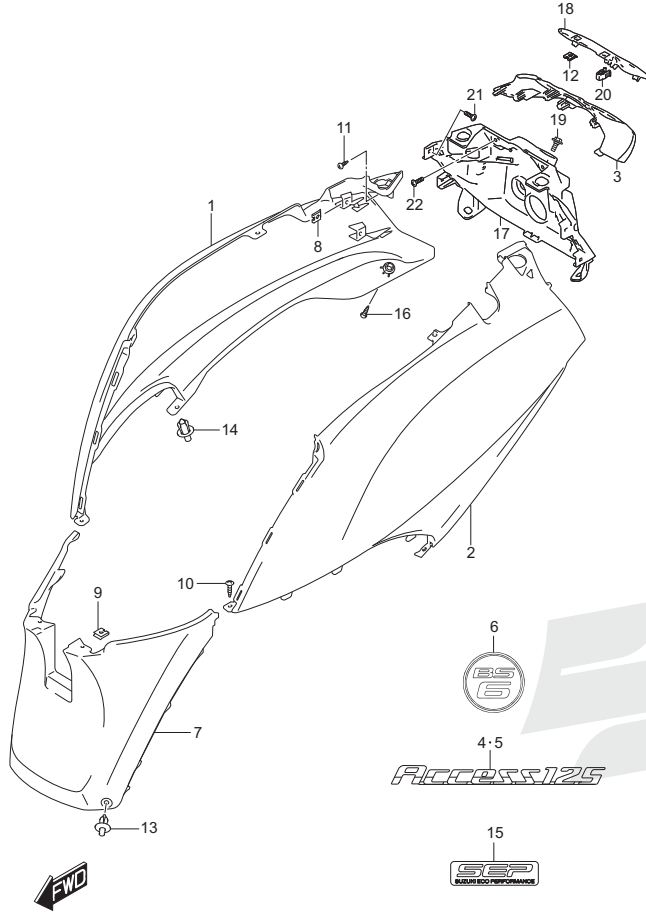
4



445B (E-5) FRAME COVER (UZ125NH,UZ125ND)

REF NO.	PART NO.	DESCRIPTION	QTY	REMARKS
1-1	47111-08K03-SAB	COVER,FRAME RH (SILVER)	1	
1-2	47111-08K03-YBA	COVER,FRAME RH (BLUE)	1	
1-3	47111-08K03-YPA	COVER,FRAME RH (WHITE)	1	
1-4	47111-08K03-YVB	COVER,FRAME RH (BLACK)	1	
2-1	47211-02L00-SAB	COVER,FRAME LH (SILVER)	1	
2-2	47211-02L00-YBA	COVER,FRAME LH (BLUE)	1	
2-3	47211-02L00-YPA	COVER,FRAME LH (WHITE)	1	
2-4	47211-02L00-YVB	COVER,FRAME LH (BLACK)	1	
3-1	47311-02L00-SAB	COVER,FRAME CENTER (SILVER)	1	
3-2	47311-02L00-YBA	COVER,FRAME CENTER (BLUE)	1	
3-3	47311-02L00-YPA	COVER,FRAME CENTER (WHITE)	1	
3-4	47311-02L00-YVB	COVER,FRAME CENTER (BLACK)	1	
4	68131-08K00-000	EMBLEM,FRAME COVER RH	1	
5	68141-08K00-000	EMBLEM,FRAME COVER LH	1	
6	68131-02L00-000	EMBLEM,"BS6"	1	
7	47121-08K00-291	COVER,FRAME FRONT (BLACK)	1	
8	09148-05060-000	NUT	6	
9	09148-05060-000	NUT	2	
10	03541-0516A-000	SCREW	2	
11	03541-0516A-000	SCREW	2	
12	09148-05060-000	NUT	2	
13	09409-06L07-000	CLIP	2	
14	09409-06L07-000	CLIP	2	
15	68136-39J00-000	EMBLEM,FRAME COVER	1	
16	03541-0520A-000	SCREW	2	
17	47312-02L00-000	BRACKET,FRAME COVER	1	
18-1	47313-02L00-SAB	COVER,FRAME CTR NO.2 (SILVER)	1	
18-2	47313-02L00-YBA	COVER,FRAME CTR NO.2 (BLUE)	1	
18-3	47313-02L00-YPA	COVER,FRAME CTR NO.2 (WHITE)	1	
18-4	47313-02L00-YVB	COVER,FRAME CTR NO.2 (BLACK)	1	
19	09111-06109-000	BOLT (6X14.8)	2	

445B

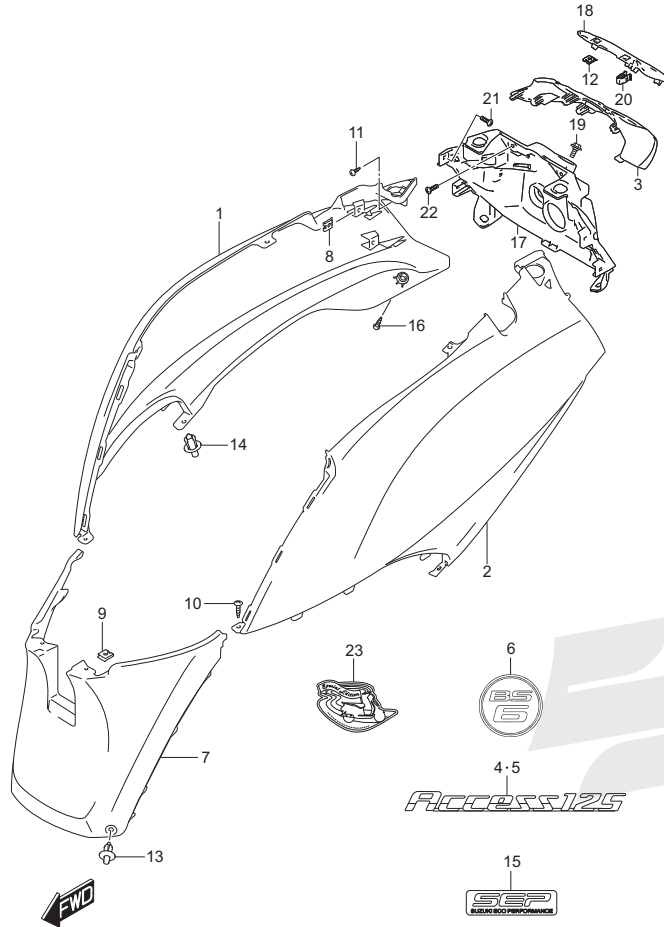


445B (E-6) FRAME COVER (UZ125NH,UZ125ND)

REF NO.	PART NO.	DESCRIPTION	QTY	REMARKS
20	09409-08L09-000	CLIP	4	
21	03541-0516A-000	SCREW	4	
22	03541-0516A-000	SCREW	4	

445C

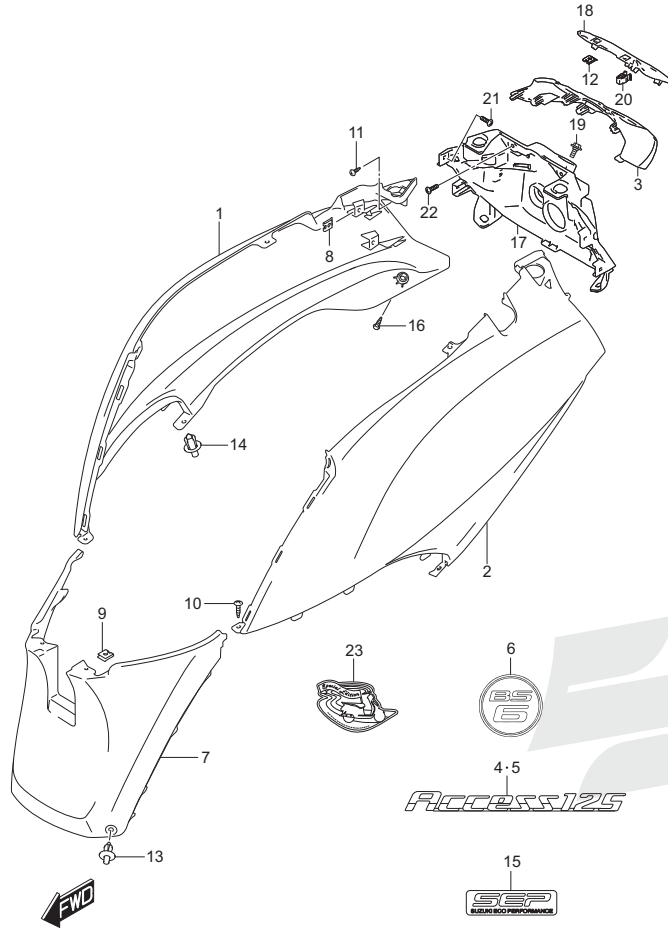
4



445C (E-7) FRAME COVER (UZ125NDY,UZ125NEY)

REF NO.	PART NO.	DESCRIPTION	QTY	REMARKS
1-1	47111-08K03-YKV	COVER,FRAME RH (BLACK)	1	
1-2	47111-08K03-YPA	COVER,FRAME RH (WHITE)	1	
1-3	47111-08K03-QMV	COVER,FRAME RH (RED)	1	
1-4	47111-08K03-QTZ	COVER,FRAME RH (BLUE)	1	
2-1	47211-02L00-YKV	COVER,FRAME LH (BLACK)	1	
2-2	47211-02L00-YPA	COVER,FRAME LH (WHITE)	1	
2-3	47211-02L00-QMV	COVER,FRAME LH (RED)	1	
2-4	47211-02L00-QTZ	COVER,FRAME LH (BLUE)	1	
3-1	47311-02L00-YKV	COVER,FRAME CENTER (BLACK)	1	
3-2	47311-02L00-YPA	COVER,FRAME CENTER (WHITE)	1	
3-3	47311-02L00-QMV	COVER,FRAME CENTER (RED)	1	
3-4	47311-02L00-QTZ	COVER,FRAME CENTER (BLUE)	1	
4	68131-08K00-000	EMBLEM,FRAME COVER RH	1	
5	68141-08K00-000	EMBLEM,FRAME COVER LH	1	
6	68131-02L00-000	EMBLEM,"BS6"	1	
7-1	47121-08K00-291	COVER,FRAME FRONT (BLACK)	1	BODY COLOR:YKV
7-2	47121-08K10-U1G	COVER,FRAME FRONT (MAROON)	1	BODY COLOR:YPA,QMV,QTZ
8	09148-05060-000	NUT	6	
9	09148-05060-000	NUT	2	
10	03541-0516A-000	SCREW	2	
11	03541-0516A-000	SCREW	2	
12	09148-05060-000	NUT	2	
13	09409-06L07-000	CLIP	2	
14	09409-06L07-000	CLIP	2	
15	68136-39J00-000	EMBLEM,FRAME COVER	1	
16	03541-0520A-000	SCREW	2	
17	47312-02L00-000	BRACKET,FRAME COVER	1	
18-1	47313-02L00-YKV	COVER,FRAME CTR NO.2 (BLACK)	1	
18-2	47313-02L00-YPA	COVER,FRAME CTR NO.2 (WHITE)	1	
18-3	47313-02L00-QMV	COVER,FRAME CTR NO.2 (RED)	1	
18-4	47313-02L00-QTZ	COVER,FRAME CTR NO.2 (BLUE)	1	
19	09111-06109-000	BOLT (6X14.8)	2	
20	09409-08L09-000	CLIP	4	
21	03541-0516A-000	SCREW	4	
22	03541-0516A-000	SCREW	4	

445C



445C (E-8) FRAME COVER (UZ125NDY,UZ125NEY)

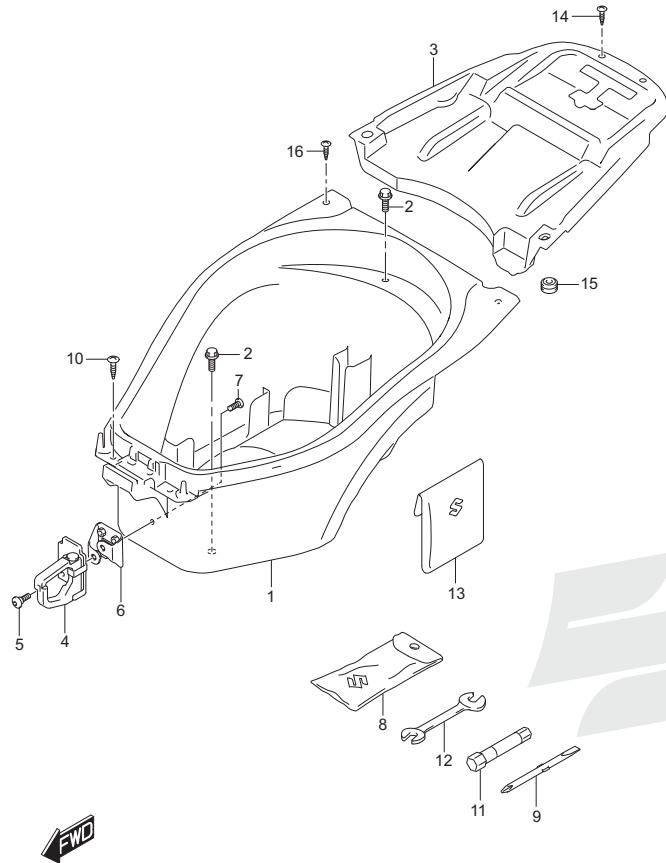
REF NO.	PART NO.	DESCRIPTION	QTY	REMARKS
23	68135-08K00-QJF	TAPE,FRAME COVER	2	

456A

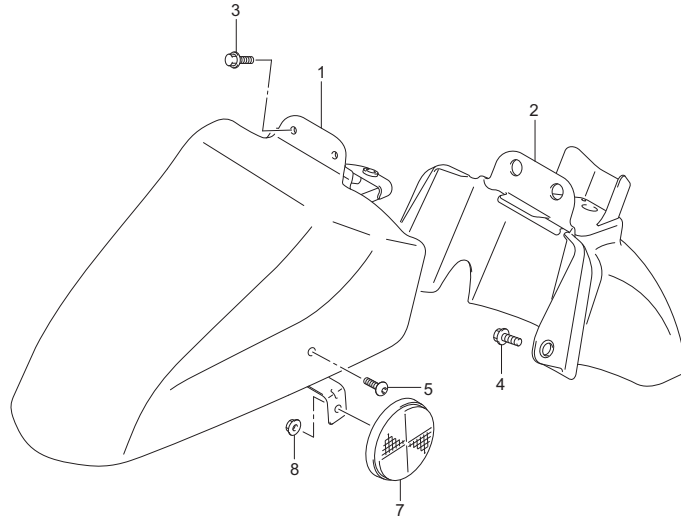
456A (E-9) HELMET BOX

REF NO.	PART NO.	DESCRIPTION	QTY	REMARKS
1	92211-02L00-000	BOX,HELMET	1	
2	01550-0612A-000	BOLT	3	
3	92212-02L00-000	COVER,HELMET BOX	1	
4	92170-33G60-291	HOOK ASSY,FRAME COVER (BLACK)	1	
5	92178-33G50-000	SCREW,FRAME COVER HOOK	2	
6	92180-08K01-000	BRACKET,FRAME COVER HOOK	1	
7	02142-0512A-000	SCREW	3	
8	96511-02L00-000	BAG,TOOL	1	
9	96412-33G50-000	DRIVER,	1	
10	03541-0516A-000	SCREW	2	
11	96414-33G70-000	SPANNER,BOX (16)	1	
12	96513-23J40-000	SPANNER,OPEN (10X14)	1	
13	94990-28G10-000	SET, FIRST AID	1	
14	03541-0516A-000	SCREW	2	
15	47162-30H00-000	CUSHION (8X26X7)	1	
16	03541-0520A-000	SCREW	2	

4



460A



460A (E-10) FRONT FENDER (UZ125NE)

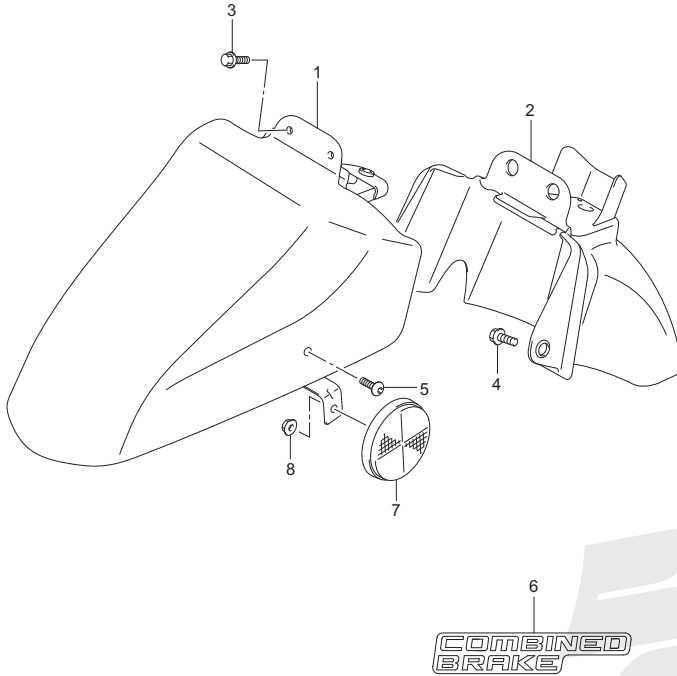
REF NO.	PART NO.	DESCRIPTION	QTY	REMARKS
1-1	53110-02L00-PGZ	FENDER,FRONT (GRAY)	1	
1-2	53110-02L00-SAB	FENDER,FRONT (SILVER)	1	
1-3	53110-02L00-YBA	FENDER,FRONT (BLUE)	1	
1-4	53110-02L00-YPA	FENDER,FRONT (WHITE)	1	
1-5	53110-02L00-YVB	FENDER,FRONT (BLACK)	1	
2	53112-08K00-291	FENDER,FRONT REAR (BLACK)	1	
3	01550-0616A-000	BOLT	3	
4	01550-0612A-000	BOLT	2	
5	09139-06205-000	SCREW,FRONT FENDER	2	
6-1	68151-44K00-A67	EMBLEM,COMBINED BRAKE (SILVER,GRAY)	1	BODY COLOR:PGZ
6-2	68151-44K00-B41	EMBLEM,COMBINED BRAKE	1	BODY COLOR:SAB
6-3	68151-44K00-YD8	EMBLEM,COMBINED BRAKE (SILVER)	1	BODY COLOR:YBA,YVB
6-4	68151-44K00-YHF	EMBLEM,COMBINED BRAKE (GRAY)	1	BODY COLOR:YPA
7	35950-28K01-000	REFLECTOR ASSY,REAR SIDE	2	
8	08316-1006A-000	NUT	2	



460B

460B (E-11) FRONT FENDER (UZ125NH,UZ125ND)

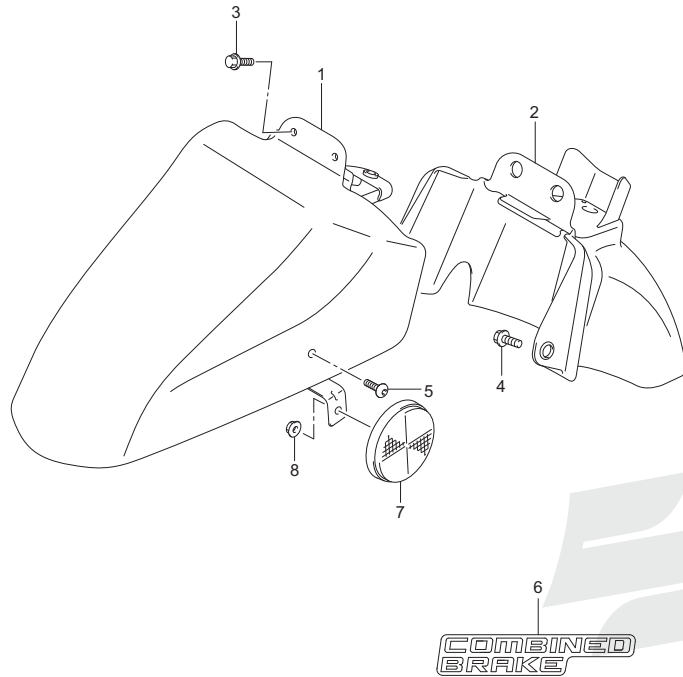
4



REF NO.	PART NO.	DESCRIPTION	QTY	REMARKS
1-1	53110-02L00-SAB	FENDER,FRONT (SILVER)	1	
1-2	53110-02L00-YBA	FENDER,FRONT (BLUE)	1	
1-3	53110-02L00-YPA	FENDER,FRONT (WHITE)	1	
1-4	53110-02L00-YVB	FENDER,FRONT (BLACK)	1	
2	53112-08K00-291	FENDER,FRONT REAR (BLACK)	1	
3	01550-0616A-000	BOLT	3	
4	01550-0612A-000	BOLT	2	
5	09139-06205-000	SCREW,FRONT FENDER	2	
6-1	68151-44K00-B41	EMBLEM,COMBINED BRAKE	1	BODY COLOR:SAB
6-2	68151-44K00-YD8	EMBLEM,COMBINED BRAKE (SILVER)	1	BODY COLOR:YBA,YVB
6-3	68151-44K00-YHF	EMBLEM,COMBINED BRAKE (GRAY)	1	BODY COLOR:YPA
7	35950-28K01-000	REFLECTOR ASSY,REAR SIDE	2	
8	08316-1006A-000	NUT	2	

460C

460C (E-12) FRONT FENDER (UZ125NDY,UZ125NEY)



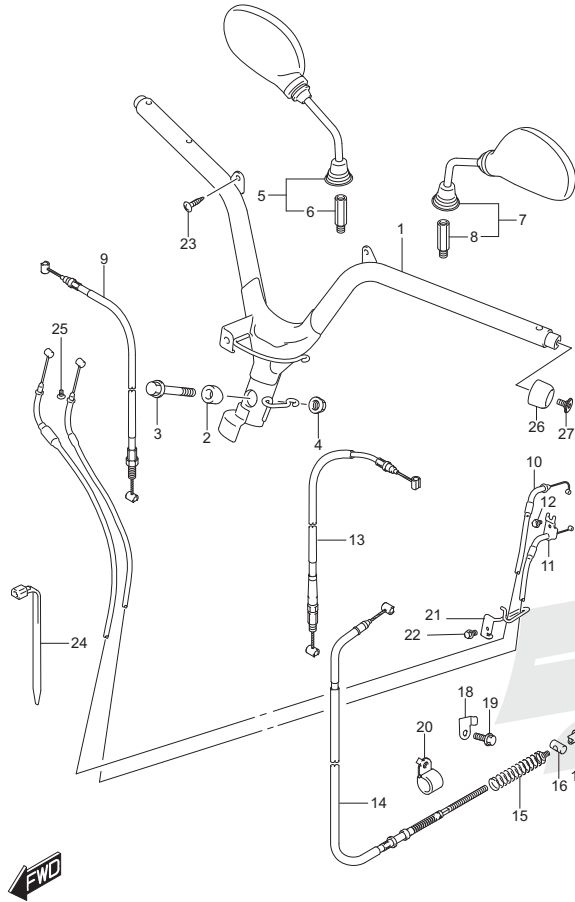
REF NO.	PART NO.	DESCRIPTION	QTY	REMARKS
1-1	53110-02L00-YKV	FENDER,FRONT (BLACK)	1	
1-2	53110-02L00-YPA	FENDER,FRONT (WHITE)	1	
1-3	53110-02L00-QMV	FENDER,FRONT (RED)	1	
1-4	53110-02L00-QTZ	FENDER,FRONT (BLUE)	1	
2	53112-08K00-291	FENDER,FRONT REAR (BLACK)	1	
3	01550-0616A-000	BOLT	3	
4	01550-0612A-000	BOLT	2	
5	09139-06205-000	SCREW,FRONT FENDER	2	
6-1	68151-44K00-CTY	EMBLEM,COMBINED BRAKE (SILVER/ BLACK)	1	BODY COLOR:YKV
6-2	68151-44K00-YHF	EMBLEM,COMBINED BRAKE (GRAY)	1	BODY COLOR:YPA
6-3	68151-44K00-B0D	EMBLEM,COMBINED BRAKE (SILVER/ RED)	1	BODY COLOR:QMV
6-4	68151-44K00-YD8	EMBLEM,COMBINED BRAKE (SILVER)	1	BODY COLOR:QTZ
7	35950-28K01-000	REFLECTOR ASSY,REAR SIDE	2	
8	08316-1006A-000	NUT	2	



462A

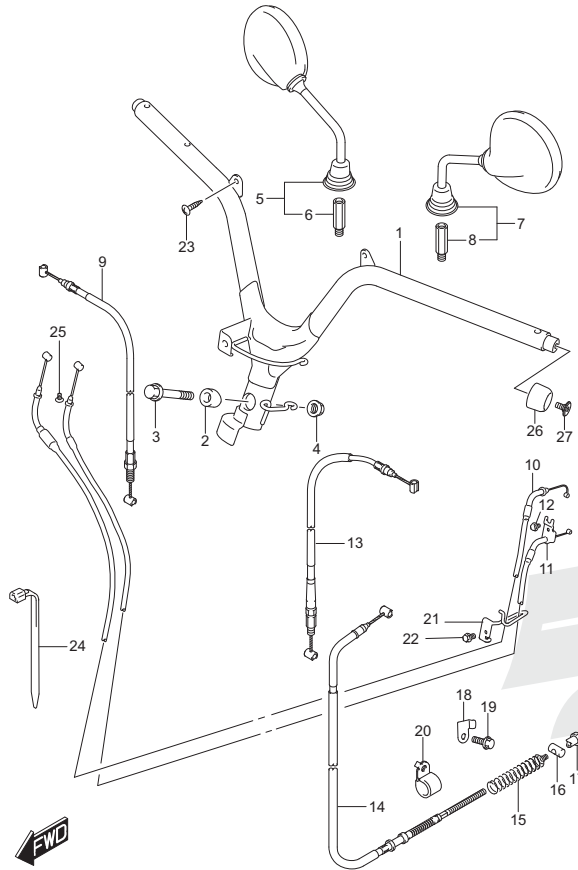
462A (E-13) HANDLEBAR (UZ125NE)

4



REF NO.	PART NO.	DESCRIPTION	QTY	REMARKS
1	56110-02L00-000	HANDLEBAR	1	
2	51358-09G00-000	STOPPER,HANDLEBAR	1	
3	09103-10126-000	BOLT (10X48)	1	
4	64147-33G10-000	NUT,FRONT HUB	1	
5	56500-28GA0-000	MIRROR ASSY,REAR VIEW,R	1	
6	56533-33G60-000	.ADAPTER,RR VIEW MIRROR	1	
7	56600-28GA0-000	MIRROR ASSY,REAR VIEW,L	1	
8	56533-33G60-000	.ADAPTER,RR VIEW MIRROR	1	
9	58110-44K01-000	CABLE,FRONT BRAKE	1	
10	58300-02L00-000	CABLE ASSY,THROTTLE NO.1	1	
11	58300-02L10-000	CABLE ASSY,THROTTLE NO.2	1	
12	01550-0510A-000	BOLT	1	
13	58510-08K30-000	CABLE,REAR BRAKE NO.1	1	
14	58510-08K40-000	CABLE,REAR BRAKE NO.2	1	
15	58562-08K00-000	SPRING,REAR BRAKE CABLE	1	
16	09209-11002-000	PIN (11X18)	1	
17	09150-06010-000	NUT	1	
18	58575-39J00-000	PLATE, REAR BRAKE CABLE	1	
19	01547-0610A-000	BOLT	1	
20	58577-39J10-000	CLAMP,RR BK CABLE CRKC FR	1	
21	58620-02L00-000	GUIDE,CABLE	1	
22	01547-0610A-000	BOLT	1	
23	03541-0520A-000	SCREW	2	
24	58623-08K00-000	CLAMP (L:235)	1	
25	02142-0510B-000	SCREW	1	
26	57216-02L00-000	CAP,GRIP END	2	
27	09139-06230-000	BOLT (6X13)	2	

462B



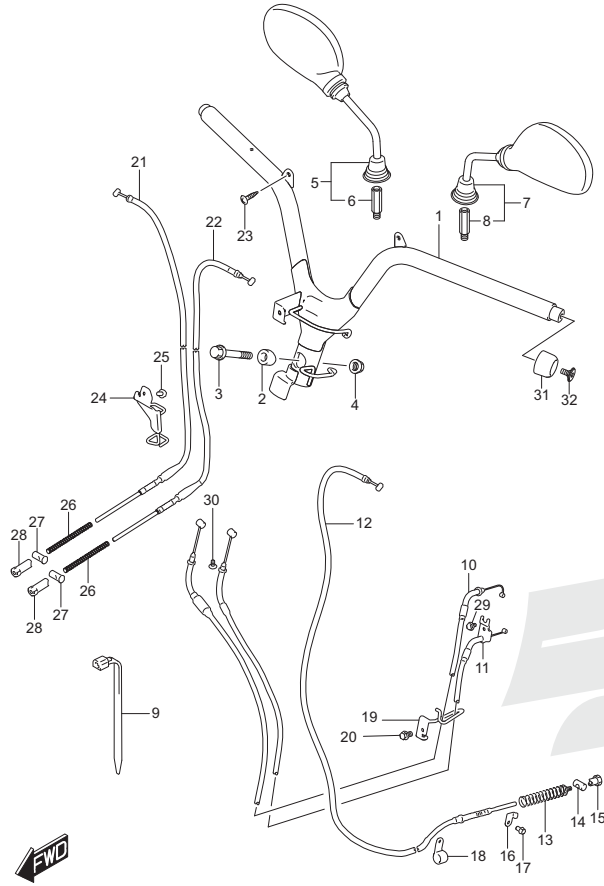
462B (E-14) HANDLEBAR (UZ125NEY)

REF NO.	PART NO.	DESCRIPTION	QTY	REMARKS
1	56110-02L00-000	HANDLEBAR	1	
2	51358-09G00-000	STOPPER,HANDLEBAR	1	
3	09103-10126-000	BOLT (10X48)	1	
4	64147-33G10-000	NUT,FRONT HUB	1	
5	56500-33GM0-000	MIRROR ASSY,REAR VIEW RH	1	
6	56533-33G60-000	.ADAPTER,RR VIEW MIRROR	1	
7	56600-33GM0-000	MIRROR ASSY,REAR VIEW LH	1	
8	56533-33G60-000	.ADAPTER,RR VIEW MIRROR	1	
9	58110-44K01-000	CABLE,FRONT BRAKE	1	
10	58300-02L00-000	CABLE ASSY,THROTTLE NO.1	1	
11	58300-02L10-000	CABLE ASSY,THROTTLE NO.2	1	
12	01550-0510A-000	BOLT	1	
13	58510-08K30-000	CABLE,REAR BRAKE NO.1	1	
14	58510-08K40-000	CABLE,REAR BRAKE NO.2	1	
15	58562-08K00-000	SPRING,REAR BRAKE CABLE	1	
16	09209-11002-000	PIN (11X18)	1	
17	09150-06010-000	NUT	1	
18	58575-39J00-000	PLATE, REAR BRAKE CABLE	1	
19	01547-0610A-000	BOLT	1	
20	58577-39J10-000	CLAMP,RR BK CABLE CRKC FR	1	
21	58620-02L00-000	GUIDE,CABLE	1	
22	01547-0610A-000	BOLT	1	
23	03541-0520A-000	SCREW	2	
24	58623-08K00-000	CLAMP (L:235)	1	
25	02142-0510B-000	SCREW	1	
26	57216-02L00-000	CAP,GRIP END	2	
27	09139-06230-000	BOLT (6X13)	2	

462C

462C (E-15) HANDLEBAR (UZ125NH,UZ125ND)

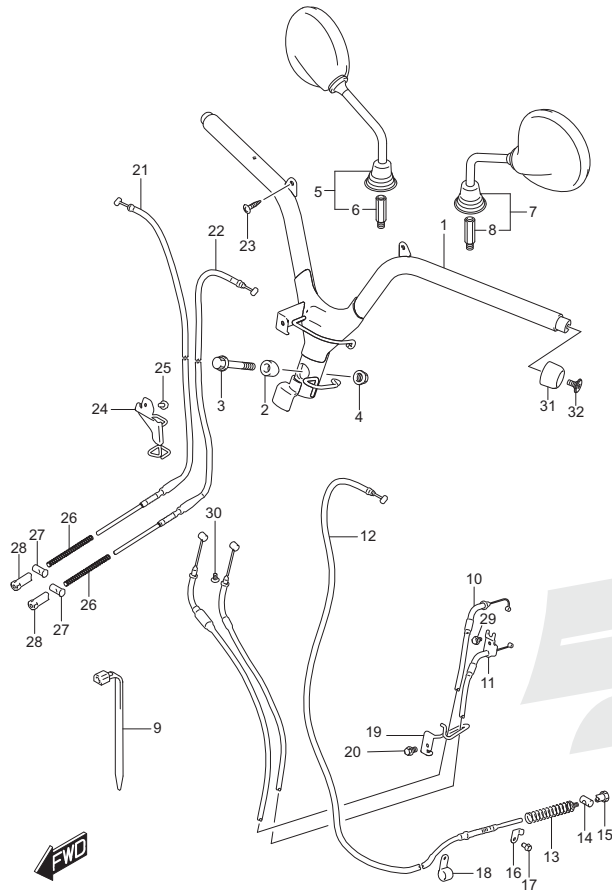
4



REF NO.	PART NO.	DESCRIPTION	QTY	REMARKS
1	56110-02L10-000	HANDLEBAR	1	
2	51358-09G00-000	STOPPER,HANDLEBAR	1	
3	09103-10126-000	BOLT (10X48)	1	
4	64147-33G10-000	NUT,FRONT HUB	1	
5	56500-28GA0-000	MIRROR ASSY,REAR VIEW RH	1	
6	56533-33G60-000	.ADAPTER,RR VIEW MIRROR	1	
7	56600-28GA0-000	MIRROR ASSY,REAR VIEW LH	1	
8	56533-33G60-000	.ADAPTER,RR VIEW MIRROR	1	
9	58623-08K00-000	CLAMP (L:235)	1	
10	58300-02L00-000	CABLE ASSY,THROTTLE NO.1	1	
11	58300-02L10-000	CABLE ASSY,THROTTLE NO.2	1	
12	58510-08K50-000	CABLE,REAR BRAKE	1	
13	58562-08K00-000	SPRING,REAR BRAKE CABLE	1	
14	09209-11002-000	PIN (11X18)	1	
15	09150-06010-000	NUT	1	
16	58575-39J00-000	PLATE, REAR BRAKE CABLE	1	
17	01547-0610A-000	BOLT	1	
18	58577-39J10-000	CLAMP,RR BK CABLE CRKC FR	1	
19	58620-02L00-000	GUIDE,CABLE	1	
20	01547-0610A-000	BOLT	1	
21	58110-08K40-000	CABLE,FRONT BRAKE NO.1	1	
22	58110-08K50-000	CABLE,FRONT BRAKE NO.2	1	
23	03541-0520A-000	SCREW	2	
24	58620-08K20-000	GUIDE,FRONT BRAKE CABLE	1	
25	01550-0610A-000	BOLT	1	
26	58162-08K00-000	SPRING,FRONT BRAKE CABLE	2	
27	58164-08K00-000	PIN,FRONT BRAKE CABLE	2	
28	58165-08K00-000	NUT,FR BRAKE CABLE ADJUSTER	2	
29	01550-0510A-000	BOLT	1	
30	02142-0510B-000	SCREW	1	
31	57216-02L00-000	CAP,GRIP END	2	
32	09139-06230-000	BOLT (6X13)	2	

462D

462D (E-16) HANDLEBAR (UZ125NDY)

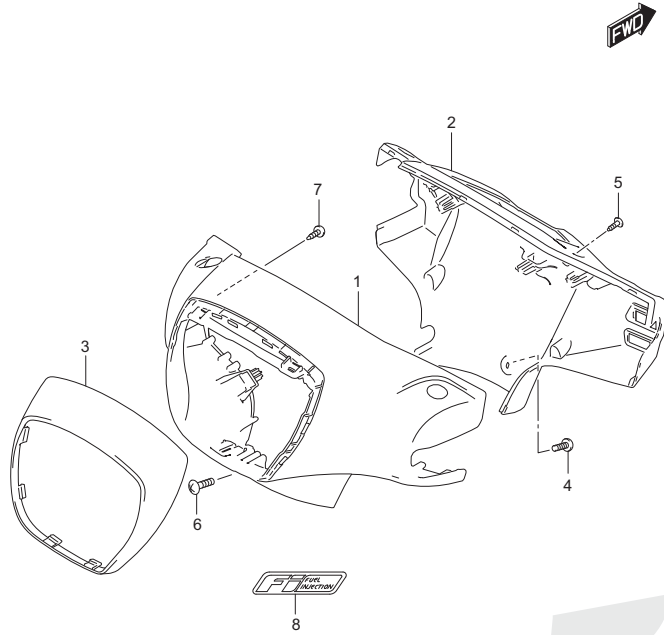


REF NO.	PART NO.	DESCRIPTION	QTY	REMARKS
1	56110-02L10-000	HANDLEBAR	1	
2	51358-09G00-000	STOPPER,HANDLEBAR	1	
3	09103-10126-000	BOLT (10X48)	1	
4	64147-33G10-000	NUT,FRONT HUB	1	
5	56500-33GM0-000	MIRROR ASSY,REAR VIEW RH	1	
6	56533-33G60-000	.ADAPTER,RR VIEW MIRROR	1	
7	56600-33GM0-000	MIRROR ASSY,REAR VIEW LH	1	
8	56533-33G60-000	.ADAPTER,RR VIEW MIRROR	1	
9	58623-08K00-000	CLAMP (L:235)	1	
10	58300-02L00-000	CABLE ASSY,THROTTLE NO.1	1	
11	58300-02L10-000	CABLE ASSY,THROTTLE NO.2	1	
12	58510-08K50-000	CABLE,REAR BRAKE	1	
13	58562-08K00-000	SPRING,REAR BRAKE CABLE	1	
14	09209-11002-000	PIN (11X18)	1	
15	09150-06010-000	NUT	1	
16	58575-39J00-000	PLATE, REAR BRAKE CABLE	1	
17	01547-0610A-000	BOLT	1	
18	58577-39J10-000	CLAMP,RR BK CABLE CRKC FR	1	
19	58620-02L00-000	GUIDE,CABLE	1	
20	01547-0610A-000	BOLT	1	
21	58110-08K40-000	CABLE,FRONT BRAKE NO.1	1	
22	58110-08K50-000	CABLE,FRONT BRAKE NO.2	1	
23	03541-0520A-000	SCREW	2	
24	58620-08K20-000	GUIDE,FRONT BRAKE CABLE	1	
25	01550-0610A-000	BOLT	1	
26	58162-08K00-000	SPRING,FRONT BRAKE CABLE	2	
27	58164-08K00-000	PIN,FRONT BRAKE CABLE	2	
28	58165-08K00-000	NUT,FR BRAKE CABLE ADJUSTER	2	
29	01550-0510A-000	BOLT	1	
30	02142-0510B-000	SCREW	1	
31	57216-02L00-000	CAP,GRIP END	2	
32	09139-06230-000	BOLT (6X13)	2	

463A

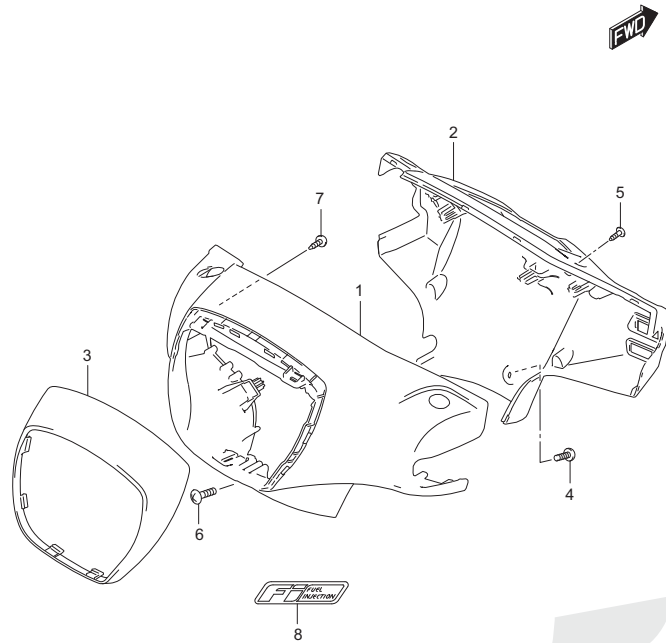
463A (F-2) HANDLE COVER (UZ125NE)

REF NO.	PART NO.	DESCRIPTION	QTY	REMARKS
1-1	56311-02L00-PGZ	COVER,HANDLE FRONT (GRAY)	1	
1-2	56311-02L00-SAB	COVER,HANDLE FRONT (SILVER)	1	
1-3	56311-02L00-YBA	COVER,HANDLE FRONT (BLUE)	1	
1-4	56311-02L00-YPA	COVER,HANDLE FRONT (WHITE)	1	
1-5	56311-02L00-YVB	COVER,HANDLE FRONT (BLACK)	1	
2	56321-02L00-291	COVER,HANDLE REAR (BLACK)	1	
3	56312-02L00-000	COVER,HANDLE FRONT UPPER	1	
4	02142-0512B-000	SCREW	1	
5	03541-0416B-000	SCREW	4	
6	02142-0512A-000	SCREW	1	
7	03541-0416A-000	SCREW	2	
8	68281-34J00-ANN	EMBLEM,FI (SILVER/GRAY)	1	



4

463B

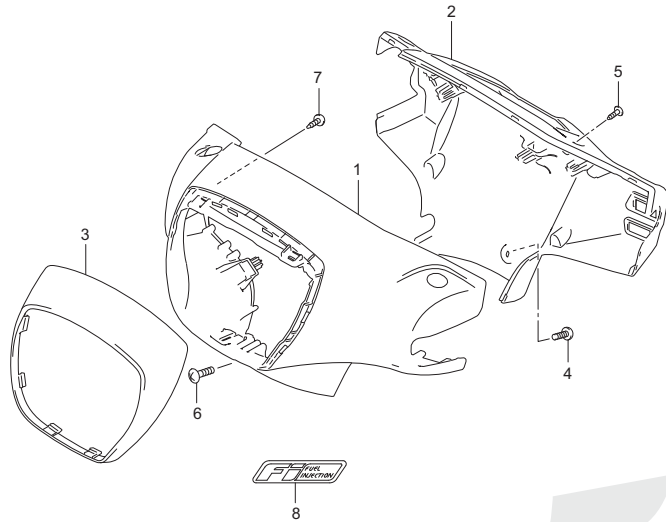


463B (F-3) HANDLE COVER (UZ125NH,UZ125ND)

REF NO.	PART NO.	DESCRIPTION	QTY	REMARKS
1-1	56311-02L00-SAB	COVER,HANDLE FRONT (SILVER)	1	
1-2	56311-02L00-YBA	COVER,HANDLE FRONT (BLUE)	1	
1-3	56311-02L00-YPA	COVER,HANDLE FRONT (WHITE)	1	
1-4	56311-02L00-YVB	COVER,HANDLE FRONT (BLACK)	1	
2	56321-02L00-291	COVER,HANDLE REAR (BLACK)	1	
3	56312-02L00-000	COVER,HANDLE FRONT UPPER	1	
4	02142-0512B-000	SCREW	1	
5	03541-0416B-000	SCREW	4	
6	02142-0512A-000	SCREW	1	
7	03541-0416A-000	SCREW	2	
8	68281-34J00-ANN	EMBLEM,FI (SILVER/GRAY)	1	

463C

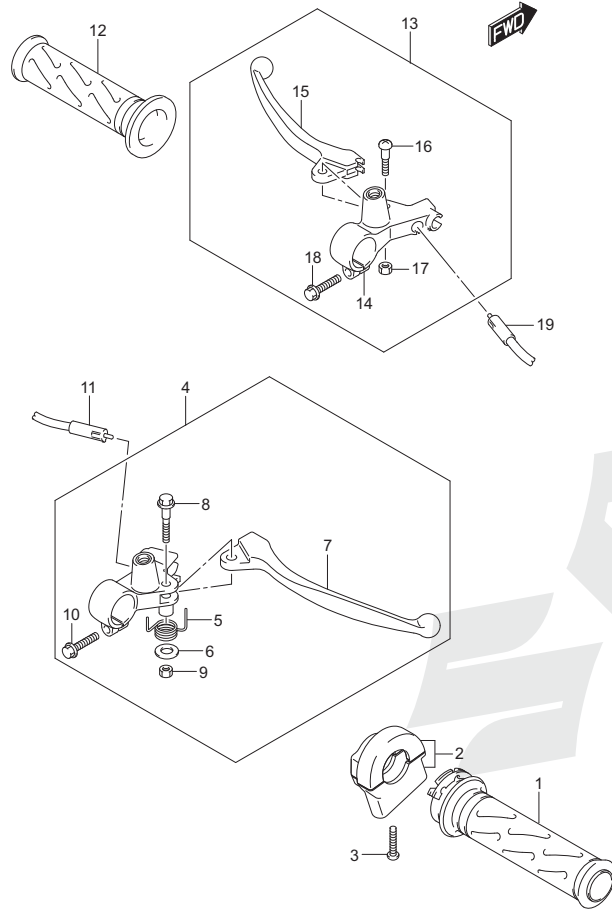
463C (F-4) HANDLE COVER (UZ125NDY,UZ125NEY)



REF NO.	PART NO.	DESCRIPTION	QTY	REMARKS
1-1	56311-02L00-YKV	COVER,HANDLE FRONT (BLACK)	1	
1-2	56311-02L00-YPA	COVER,HANDLE FRONT (WHITE)	1	
1-3	56311-02L00-QMV	COVER,HANDLE FRONT (RED)	1	
1-4	56311-02L00-QTZ	COVER,HANDLE FRONT (BLUE)	1	
2-1	56321-02L00-291	COVER,HANDLE REAR (BLACK)	1	BODY COLOR:YKV
2-2	56321-02L10-U1G	COVER,HANDLE REAR (MAROON)	1	BODY COLOR:YPA,QMV,QTZ
3	56312-02L00-000	COVER,HANDLE FRONT UPPER	1	
4	02142-0512B-000	SCREW	1	
5	03541-0416B-000	SCREW	4	
6	02142-0512A-000	SCREW	1	
7	03541-0416A-000	SCREW	2	
8	68281-34J00-ANN	EMBLEM,FI (SILVER/GRAY)	1	

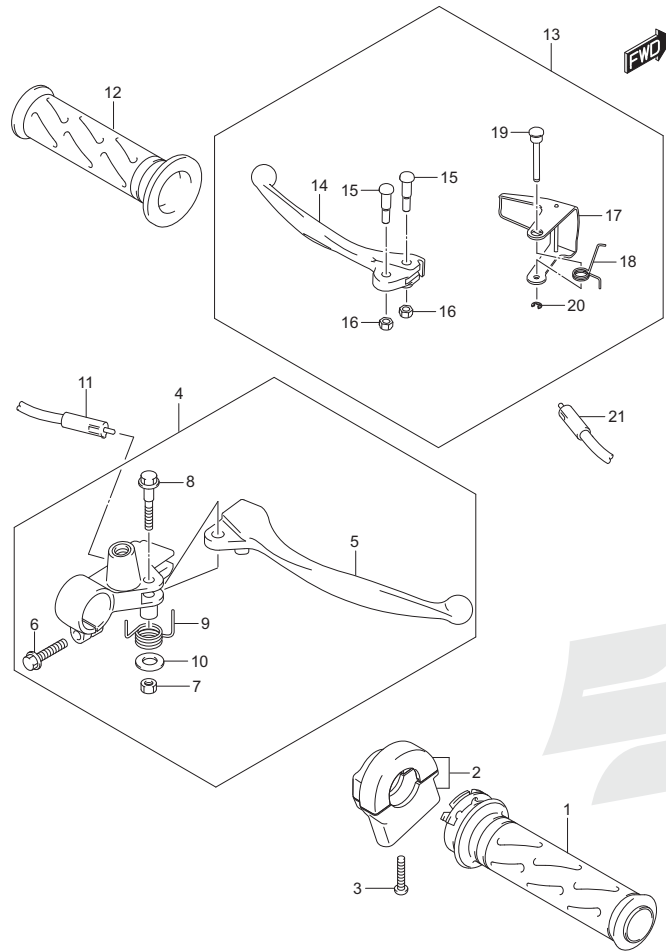
467A

467A (F-5) HANDLE LEVER (UZ125NE,UZ125NEY)



REF NO.	PART NO.	DESCRIPTION	QTY	REMARKS
1	57110-30H10-000	GRIP,THROTTLE	1	
2	57100-02L00-000	CASE ASSY,THROTTLE	1	
3	02112-0525A-000	SCREW	2	
4	57300-39J80-000	LEVER ASSY,FR BRAKE	1	
5	57523-39J10-000	.SPRING,BRAKE LEVER STOPPER	1	
6	09160-05013-000	.WASHER (5.2X16X1.0)	1	
7	57421-39J60-000	.LEVER,BRAKE RH	1	
8	57431-39J10-000	.BOLT,BRAKE LEVER PIVOT	1	
9	08319-2105A-000	.NUT	1	
10	01547-0620A-000	.BOLT	1	
11	37760-39J00-000	SWITCH ASSY,BRAKE	1	
12	57211-22D11-000	GRIP,LH	1	
13	57500-39J60-000	LEVER ASSY,RR BRAKE	1	
14	57511-39J50-000	.HOLDER,BRAKE LEVER LH	1	
15	57621-39J00-000	.LEVER,BRAKE LH	1	
16	57431-39J00-000	.BOLT, BRAKE LEVER PIVOT	1	
17	08319-2105A-000	.NUT	1	
18	01547-0620A-000	.BOLT	1	
19	37760-39J00-000	SWITCH ASSY,BRAKE	1	

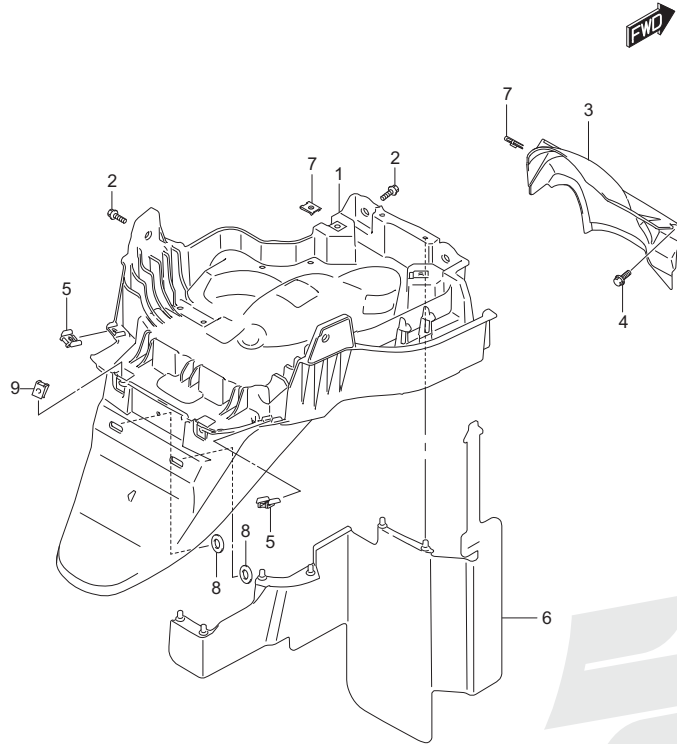
467B



467B (F-6) HANDLE LEVER (UZ125NH,UZ125ND,UZ125NDY)

REF NO.	PART NO.	DESCRIPTION	QTY	REMARKS
1	57110-30H10-000	GRIP,THROTTLE	1	
2	57100-02L00-000	CASE ASSY,THROTTLE	1	
3	02112-0525A-000	SCREW	2	
4	57300-39J60-000	LEVER ASSY,FR BRAKE	1	
5	57421-39J50-000	.LEVER,BRAKE RH	1	
6	01547-0620A-000	.BOLT	1	
7	08319-2105A-000	.NUT	1	
8	57431-39J10-000	.BOLT,BRAKE LEVER PIVOT	1	
9	57523-39J10-000	.SPRING,BRAKE LEVER STOPPER	1	
10	09160-05013-000	.WASHER (5.2X16X1.0)	1	
11	37760-39J00-000	SWITCH ASSY,BRAKE	1	
12	57211-22D11-000	GRIP,LH	1	
13	57500-08K00-000	LEVER ASSY,BRAKE LH	1	
14	57621-08K00-000	.LEVER,BRAKE LH	1	
15	57431-08K00-000	.BOLT,BRAKE LEVER PIVOT	2	
16	08319-2105A-000	.NUT	2	
17	57520-08K00-000	.LEVER,BRAKE LEVER STOPPER	1	
18	57523-08K00-000	.SPRING,BRAKE LEVER STOPPER	1	
19	57524-08K00-000	.PIN,BRAKE LEVER STOPPER	1	
20	08332-1103A-000	.E RING	1	
21	37760-08K10-000	SWITCH ASSY,BRAKE	1	

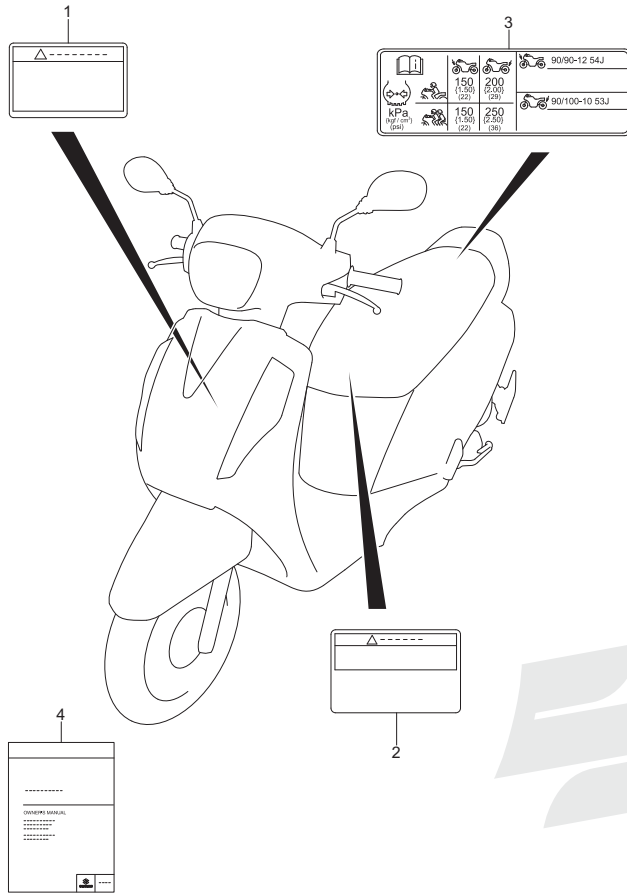
474A



474A (F-7) REAR FENDER

REF NO.	PART NO.	DESCRIPTION	QTY	REMARKS
1	63111-02L00-291	FENDER,REAR UPPER (BLACK)	1	
2	01550-0612A-000	BOLT	4	
3	63112-08K00-000	FENDER,REAR LOWER	1	
4	09113-06010-000	BOLT (6X16)	1	
5	09148-05060-000	NUT	2	
6	63411-02L00-000	MUDGUARD,REAR FENDER	1	
7	35157-34J00-000	NUT	3	
8	09160-05501-000	WASHER (5.5X20X1.2)	2	
9	47349-34J01-000	NUT (M5)	2	

496A

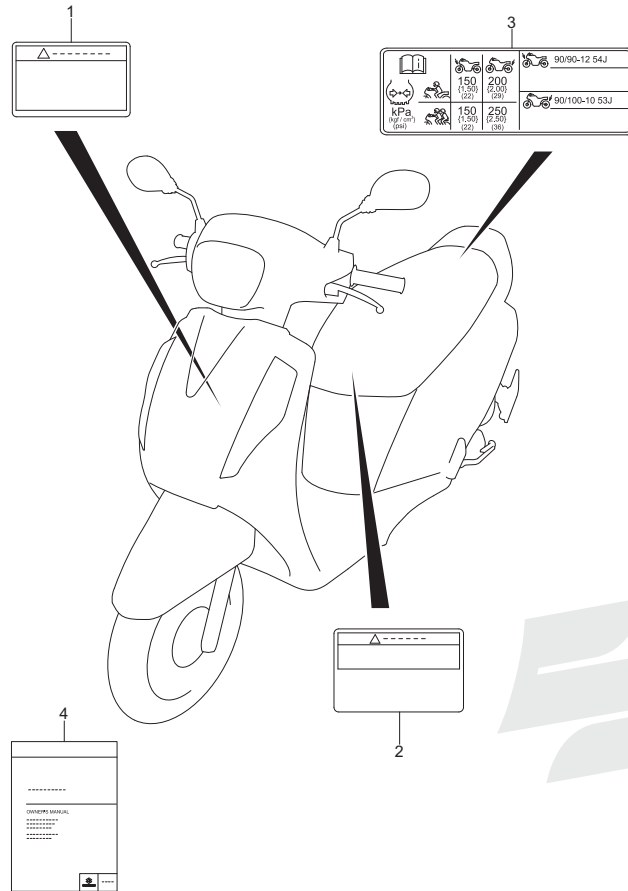


496A (F-8) LABEL (UZ125NE,UZ125NEY)

REF NO.	PART NO.	DESCRIPTION	QTY	REMARKS
1	68319-39J00-000	LABEL, GENERAL WARNING	1	
2	68911-02L00-000	LABEL,LOADING CAPACITY	1	
3	68332-02L00-000	LABEL,TIRE INFORMATION	1	
4	99011-02L50-74A	MANUAL,OWNER'S	1	

4

496B



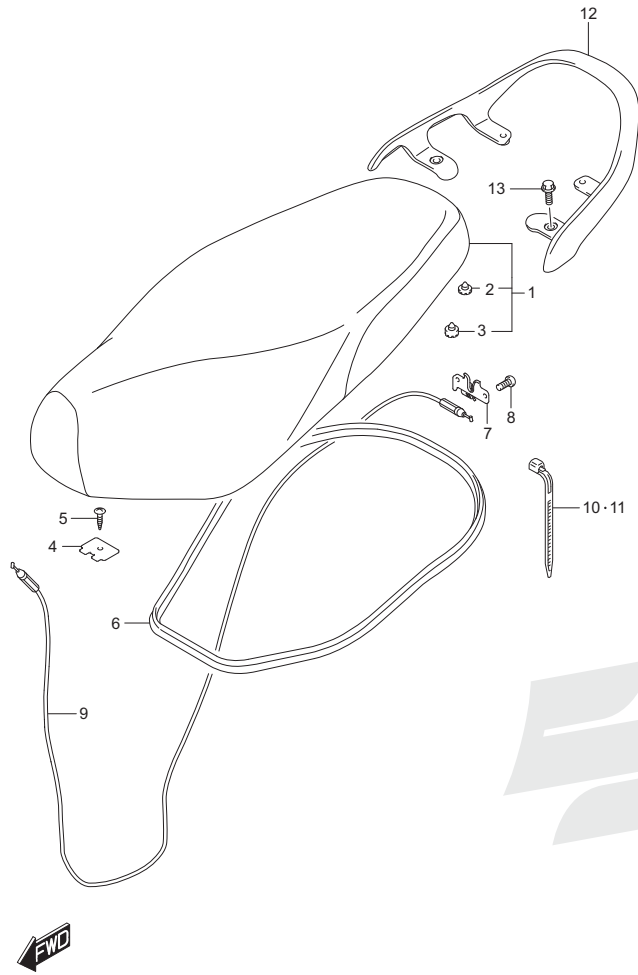
496B (F-9) LABEL (UZ125NH,UZ125ND,UZ125NDY)

REF NO.	PART NO.	DESCRIPTION	QTY	REMARKS
1	68319-39J00-000	LABEL, GENERAL WARNING	1	
2	68911-02L00-000	LABEL,LOADING CAPACITY	1	
3	68332-02L10-000	LABEL,TIRE INFORMATION	1	
4	99011-02L50-74A	MANUAL,OWNER'S	1	

505A

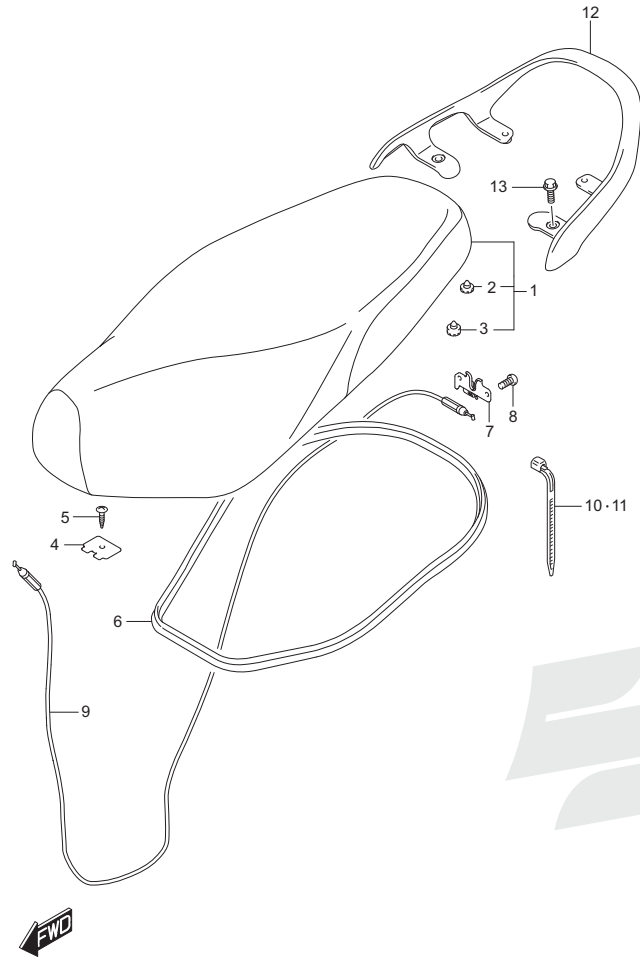
505A (F-10) SEAT (UZ125NE,UZ125NH,UZ125ND)

REF NO.	PART NO.	DESCRIPTION	QTY	REMARKS
1	45100-02L00-BBS	SEAT ASSY (BLACK/GRAY)	1	
2	45148-20GB0-000	.CUSHION,SEAT MOUNT	2	
3	45148-20GJ0-000	.CUSHION,SEAT MOUNT	2	
4	45271-32G10-000	PLATE,SEAT HINGE	1	
5	03541-0516A-000	SCREW	1	
6	45211-08K00-000	MOLDING,SEAT	1	
7	45700-33G70-000	BRACKET,STRIKER SUPPORT	1	
8	02112-0612A-000	SCREW	2	
9	45280-08K00-000	CABLE,SEAT LOCK	1	
10	36990-70F20-000	CLAMP,COMB SW WIRE (L:165)	1	
11	09407-25L02-000	CLAMP (L:235)	1	
12	46211-02L00-13L	HANDLE,PILLION RIDER (SILVER)	1	
13	01550-0830A-000	BOLT	4	



4

505B



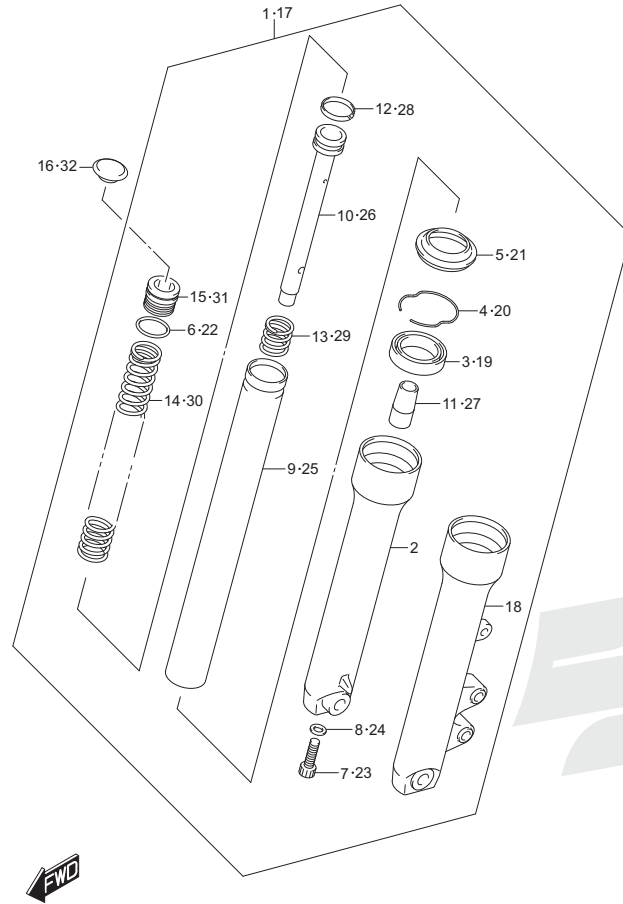
505B (F-11) SEAT (UZ125NDY,UZ125NEY)

REF NO.	PART NO.	DESCRIPTION	QTY	REMARKS
1-1	45100-02L10-BEZ	SEAT ASSY (RED/BLACK)	1	BODY COLOR:YKV,YPA
1-2	45100-02L20-AVT	SEAT ASSY (BROWN/WHITE)	1	BODY COLOR:QMV,QTZ
2	45148-20GB0-000	.CUSHION,SEAT MOUNT	2	
3	45148-20GJ0-000	.CUSHION,SEAT MOUNT	2	
4	45271-32G10-000	PLATE,SEAT HINGE	1	
5	03541-0516A-000	SCREW	1	
6	45211-08K00-000	MOLDING,SEAT	1	
7-1	45700-33G70-000	BRACKET,STRIKER SUPPORT	1	
7-2	45700-33G80-000	BRACKET,STRIKER SUPPORT	1	
8	02112-0612A-000	SCREW	2	
9	45280-08K00-000	CABLE,SEAT LOCK	1	
10	36990-70F20-000	CLAMP,COMB SW WIRE (L:165)	1	
11	09407-25L02-000	CLAMP (L:235)	1	
12-1	46211-02L00-YVB	HANDLE,PILLION RIDER (BLACK)	1	BODY COLOR:YKV
12-2	46211-02L00-13L	HANDLE,PILLION RIDER (SILVER)	1	BODY COLOR:YPA,QMV,QTZ
13	01550-0830A-000	BOLT	4	

521A

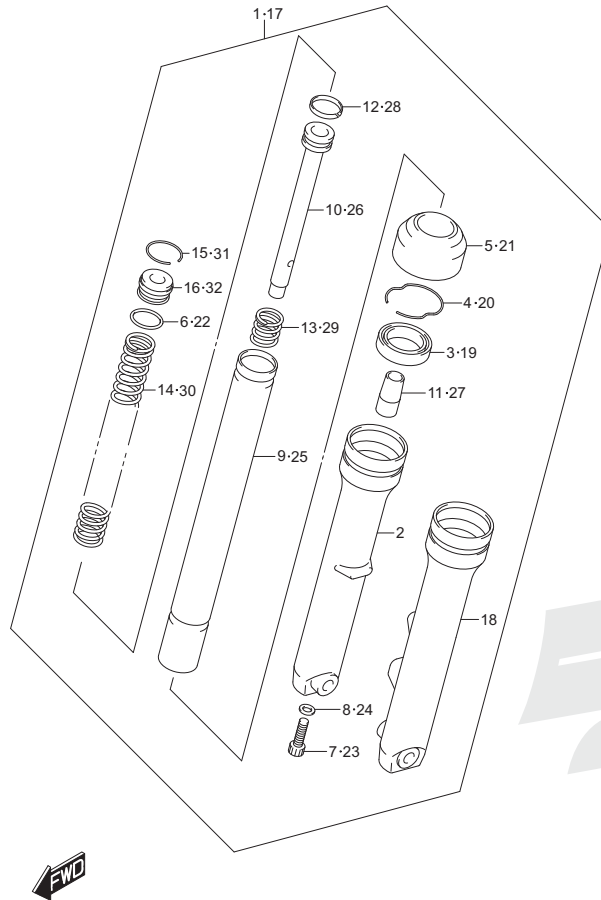
521A (F-12) FRONT FORK DAMPER (UZ125NE)

4



REF NO.	PART NO.	DESCRIPTION	QTY	REMARKS
1	51103-08K10-13L	DAMPER, FR FORK RH (SILVER)	1	
2	51131-08K10-13L	.TUBE, OUTER RH (SILVER)	1	
3	51153-33G10-000	.SEAL, OIL	1	
4	51156-33G10-000	.RING, SNAP	1	
5	51173-33G10-000	.SEAL, DUST	1	
6	51117-33G10-000	.O RING	1	
7	51147-33G10-000	.BOLT	1	
8	51148-33G10-000	.GASKET	1	
9	51110-08K10-000	.TUBE, INNER	1	
10	51146-08K10-000	.CYLINDER, FRONT FORK	1	
11	51195-33G50-000	.OIL LOCK PIECE	1	
12	51196-33G10-000	.RING, PISTON	1	
13	51177-33G10-000	.SPRING, REBOUND	1	
14	51171-08K10-000	.SPRING, FRONT	1	
15	51351-33G10-000	.BOLT	1	
16	51189-08K10-000	CAP, FR FORK INNER TUBE	1	
17	51104-08K10-13L	DAMPER, FR FORK LH (SILVER)	1	
18	51141-08K10-13L	.TUBE, OUTER LH (SILVER)	1	
19	51153-33G10-000	.SEAL, OIL	1	
20	51156-33G10-000	.RING, SNAP	1	
21	51173-33G10-000	.SEAL, DUST	1	
22	51117-33G10-000	.O RING	1	
23	51147-33G10-000	.BOLT	1	
24	51148-33G10-000	.GASKET	1	
25	51110-08K10-000	.TUBE, INNER	1	
26	51146-08K10-000	.CYLINDER, FRONT FORK	1	
27	51195-33G50-000	.OIL LOCK PIECE	1	
28	51196-33G10-000	.RING, PISTON	1	
29	51177-33G10-000	.SPRING, REBOUND	1	
30	51171-08K10-000	.SPRING, FRONT	1	
31	51351-33G10-000	.BOLT	1	
32	51189-08K10-000	CAP, FR FORK INNER TUBE	1	

521B

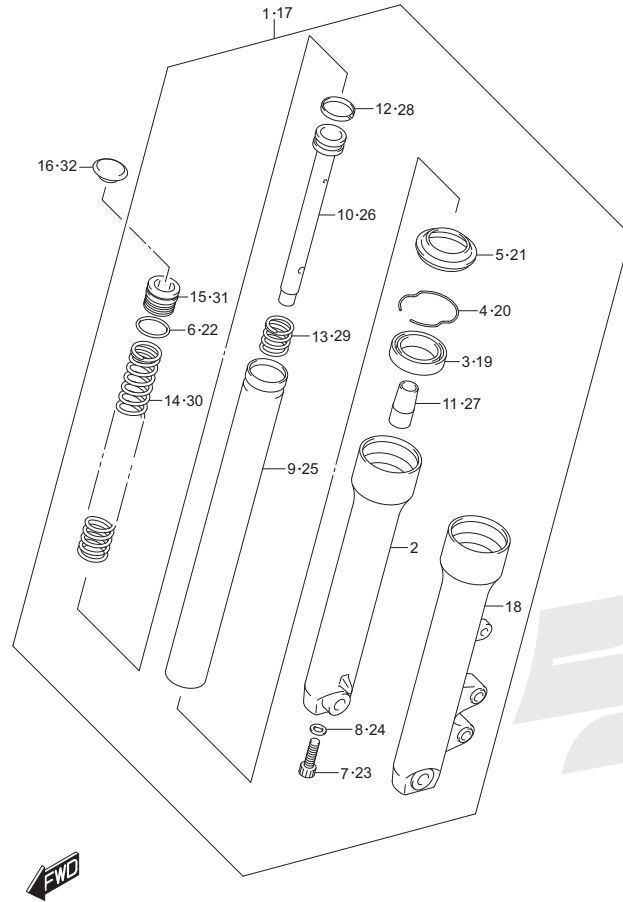


521B (F-13) FRONT FORK DAMPER (UZ125NH,UZ125ND)

REF NO.	PART NO.	DESCRIPTION	QTY	REMARKS
1	51103-08K00-13L	DAMPER ASSY,FRONT FORK RH (SILVER)	1	
2	51131-08K00-13L	.TUBE,OUTER RH (SILVER)	1	
3	51153-48420-000	.OIL SEAL	1	
4	51156-36030-000	.RING,OIL SEAL STOPPER	1	
5	51173-25030-000	.SEAL,DUST	1	
6	51117-43ECO-000	.O RING	1	
7	51147-31030-000	.BOLT	1	
8	51148-08K00-000	.GASKET	1	
9	51110-08K00-000	.TUBE,INNER	1	
10	51194-08K00-000	.PIPE SEAT	1	
11	51195-26B00-000	.PIECE,OIL LOCK	1	
12	51196-08K00-000	.RING, PISTON	1	
13	51177-08K00-000	.SPRING, REBOUND	1	
14	51171-08K00-000	.SPRING, FRONT	1	
15	51169-48500-000	.RING,STOPPER	1	
16	51175-08K00-000	.CAP,INNER TUBE	1	
17	51104-08K00-13L	DAMPER ASSY,FRONT FORK LH (SILVER)	1	
18	51141-08K00-13L	.TUBE,OUTER LH (SILVER)	1	
19	51153-48420-000	.OIL SEAL	1	
20	51156-36030-000	.RING,OIL SEAL STOPPER	1	
21	51173-25030-000	.SEAL,DUST	1	
22	51117-43ECO-000	.O RING	1	
23	51147-31030-000	.BOLT	1	
24	51148-08K00-000	.GASKET	1	
25	51110-08K00-000	.TUBE,INNER	1	
26	51194-08K00-000	.PIPE SEAT	1	
27	51195-26B00-000	.PIECE,OIL LOCK	1	
28	51196-08K00-000	.RING, PISTON	1	
29	51177-08K00-000	.SPRING, REBOUND	1	
30	51171-08K00-000	.SPRING, FRONT	1	
31	51169-48500-000	.RING,STOPPER	1	
32	51175-08K00-000	.CAP,INNER TUBE	1	

521C

4

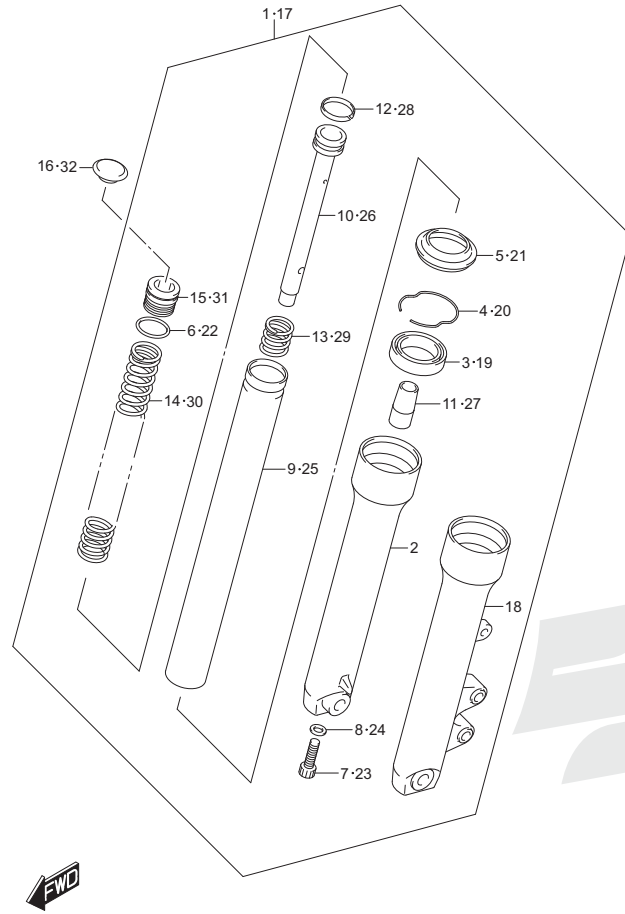


521C (F-14) FRONT FORK DAMPER (UZ125NEY)

REF NO.	PART NO.	DESCRIPTION	QTY	REMARKS
1-1	51103-08K10-291	DAMPER, FR FORK RH (BLACK)	1	BODY COLOR:YKV,QMV,QTZ
1-2	51103-08K10-13L	DAMPER, FR FORK RH (SILVER)	1	BODY COLOR:YPA
2-1	51131-08K10-291	.TUBE, OUTER RH (BLACK)	1	BODY COLOR:YKV,QMV,QTZ
2-2	51131-08K10-13L	.TUBE, OUTER RH (SILVER)	1	BODY COLOR:YPA
3	51153-33G10-000	.OIL SEAL	1	
4	51156-33G10-000	.RING, SNAP	1	
5	51173-33G10-000	.SEAL, DUST	1	
6	51117-33G10-000	.O RING	1	
7	51147-33G10-000	.BOLT	1	
8	51148-33G10-000	.GASKET	1	
9	51110-08K10-000	.TUBE, INNER	1	
10	51146-08K10-000	.CYLINDER, FRONT FORK	1	
11	51195-33G50-000	.OIL LOCK PIECE	1	
12	51196-33G10-000	.RING, PISTON	1	
13	51177-33G10-000	.SPRING, REBOUND	1	
14	51171-08K10-000	.SPRING, FRONT	1	
15	51351-33G10-000	.BOLT	1	
16	51189-08K10-000	CAP, FR FORK INNER TUBE	1	
17-1	51104-08K10-291	DAMPER, FR FORK LH (BLACK)	1	BODY COLOR:YKV,QMV,QTZ
17-2	51104-08K10-13L	DAMPER, FR FORK LH (SILVER)	1	BODY COLOR:YPA
18-1	51141-08K10-291	.TUBE, OUTER LH (BLACK)	1	BODY COLOR:YKV,QMV,QTZ
18-2	51141-08K10-13L	.TUBE, OUTER LH (SILVER)	1	BODY COLOR:YPA
19	51153-33G10-000	.OIL SEAL	1	
20	51156-33G10-000	.RING, SNAP	1	
21	51173-33G10-000	.SEAL, DUST	1	
22	51117-33G10-000	.O RING	1	
23	51147-33G10-000	.BOLT	1	
24	51148-33G10-000	.GASKET	1	
25	51110-08K10-000	.TUBE, INNER	1	
26	51146-08K10-000	.CYLINDER, FRONT FORK	1	
27	51195-33G50-000	.OIL LOCK PIECE	1	
28	51196-33G10-000	.RING, PISTON	1	
29	51177-33G10-000	.SPRING, REBOUND	1	
30	51171-08K10-000	.SPRING, FRONT	1	
31	51351-33G10-000	.BOLT	1	

521C

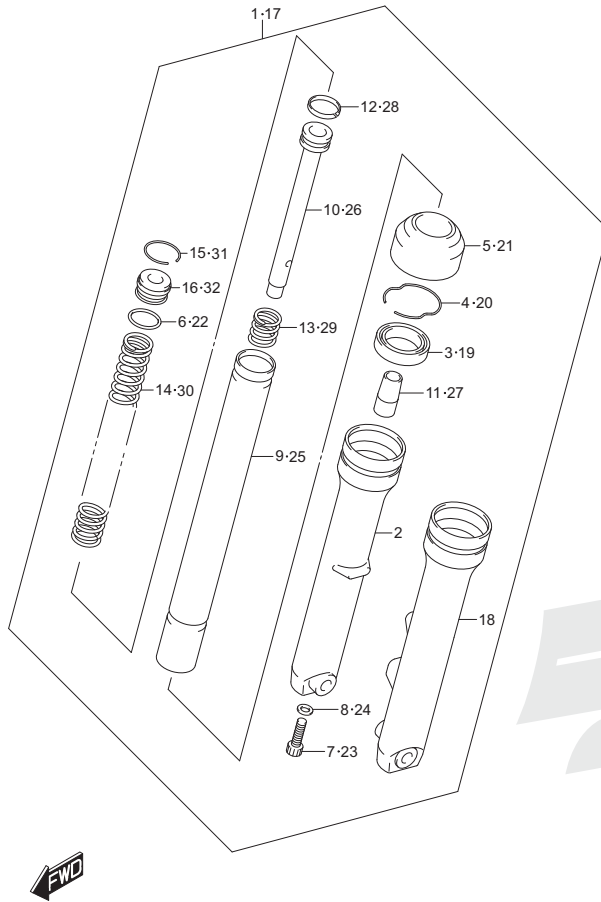
521C (F-14) FRONT FORK DAMPER (UZ125NEY)



REF NO.	PART NO.	DESCRIPTION	QTY	REMARKS
32	51189-08K10-000	CAP, FR FORK INNER TUBE	1	

521D

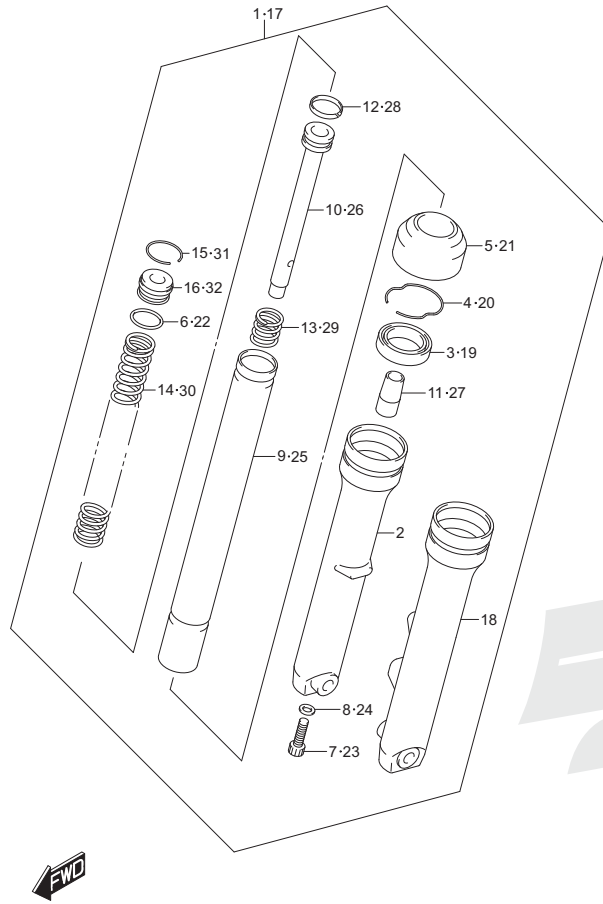
4



521D (F-15) FRONT FORK DAMPER (UZ125NDY)

REF NO.	PART NO.	DESCRIPTION	QTY	REMARKS
1-1	51103-08K00-291	DAMPER ASSY,FRONT FORK RH (BLACK)	1	BODY COLOR:YKV,QMV,QTZ
1-2	51103-08K00-13L	DAMPER ASSY,FRONT FORK RH (SILVER)	1	BODY COLOR:YPA
2-1	51131-08K00-291	.TUBE, OUTER RH (BLACK)	1	BODY COLOR:YKV,QMV,QTZ
2-2	51131-08K00-13L	.TUBE, OUTER RH (SILVER)	1	BODY COLOR:YPA
3	51153-48420-000	.OIL SEAL	1	
4	51156-36030-000	.RING,OIL SEAL STOPPER	1	
5	51173-25030-000	.SEAL,DUST	1	
6	51117-43EC0-000	.O RING	1	
7	51147-31030-000	.BOLT	1	
8	51148-08K00-000	.GASKET	1	
9	51110-08K00-000	.TUBE,INNER	1	
10	51194-08K00-000	.PIPE SEAT	1	
11	51195-26B00-000	.PIECE,OIL LOCK	1	
12	51196-08K00-000	.RING, PISTON	1	
13	51177-08K00-000	.SPRING, REBOUND	1	
14	51171-08K00-000	.SPRING, FRONT	1	
15	51169-48500-000	.RING,STOPPER	1	
16	51175-08K00-000	.CAP,INNER TUBE	1	
17-1	51104-08K00-291	DAMPER ASSY,FRONT FORK LH (BLACK)	1	BODY COLOR:YKV,QMV,QTZ
17-2	51104-08K00-13L	DAMPER ASSY,FRONT FORK LH (SILVER)	1	BODY COLOR:YPA
18-1	51141-08K00-291	.TUBE, OUTER LH (BLACK)	1	BODY COLOR:YKV,QMV,QTZ
18-2	51141-08K00-13L	.TUBE, OUTER LH (SILVER)	1	BODY COLOR:YPA
19	51153-48420-000	.OIL SEAL	1	
20	51156-36030-000	.RING,OIL SEAL STOPPER	1	
21	51173-25030-000	.SEAL,DUST	1	
22	51117-43EC0-000	.O RING	1	
23	51147-31030-000	.BOLT	1	
24	51148-08K00-000	.GASKET	1	
25	51110-08K00-000	.TUBE,INNER	1	
26	51194-08K00-000	.PIPE SEAT	1	
27	51195-26B00-000	.PIECE,OIL LOCK	1	

521D



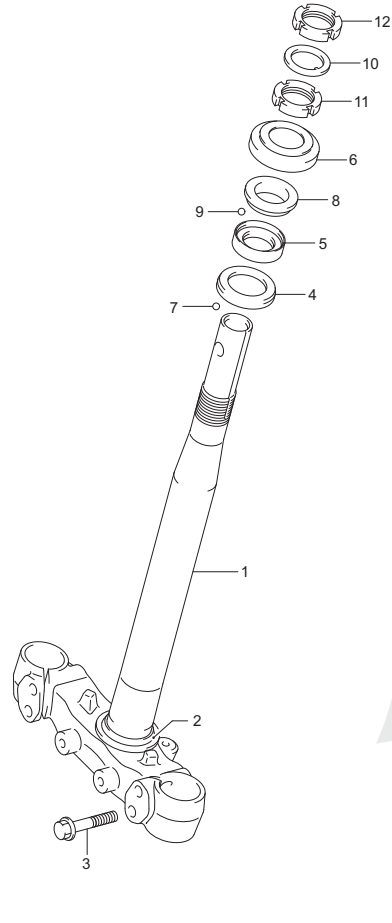
521D (F-16) FRONT FORK DAMPER (UZ125NDY)

REF NO.	PART NO.	DESCRIPTION	QTY	REMARKS
28	51196-08K00-000	.RING, PISTON	1	
29	51177-08K00-000	.SPRING, REBOUND	1	
30	51171-08K00-000	.SPRING, FRONT	1	
31	51169-48500-000	.RING, STOPPER	1	
32	51175-08K00-000	.CAP, INNER TUBE	1	

524A

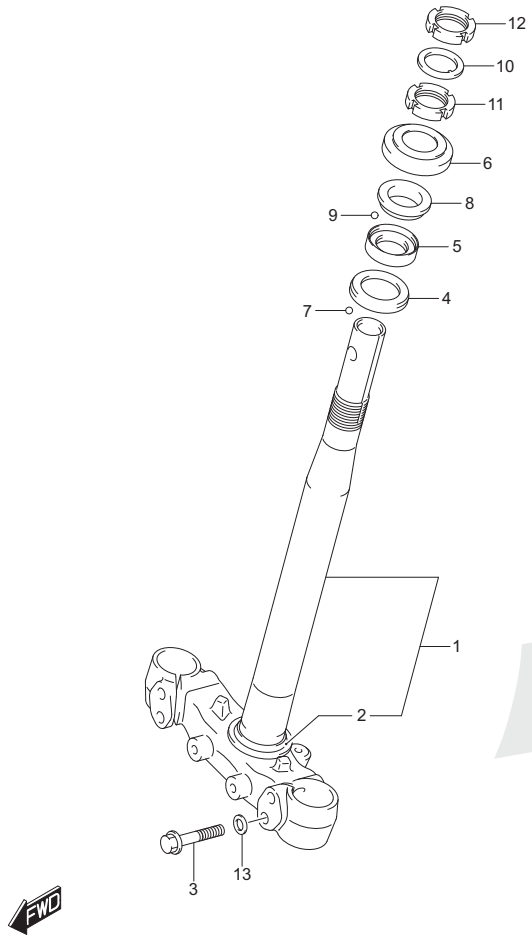
524A (G-2) STEERING STEM (UZ125NH,UZ125ND,UZ125NDY)

4



REF NO.	PART NO.	DESCRIPTION	QTY	REMARKS
1	51410-08K00-000	BRACKET,FRONT FORK LOWER	1	
2	51622-41H00-000	RACE	1	
3	51434-08K00-000	BOLT,FRONT FORK LOWER BRACKET	4	
4	51612-41H01-000	RACE,STEERING INNER LOWER	1	
5	51611-41H01-000	RACE,STEERING INNER UPPER	1	
6	51643-06001-000	DUST SEAL,UPPER	1	
7	06111-06004-000	BALL	28	
8	51621-41H00-000	RACE,STEERING OUTER UPPER	1	
9	06111-06004-000	BALL	23	
10	09166-24001-000	WASHER (24.5X34X2.3)	1	
11	51631-05000-000	NUT,STEERING STEM	1	
12	51631-05000-000	NUT,STEERING STEM	1	

524B

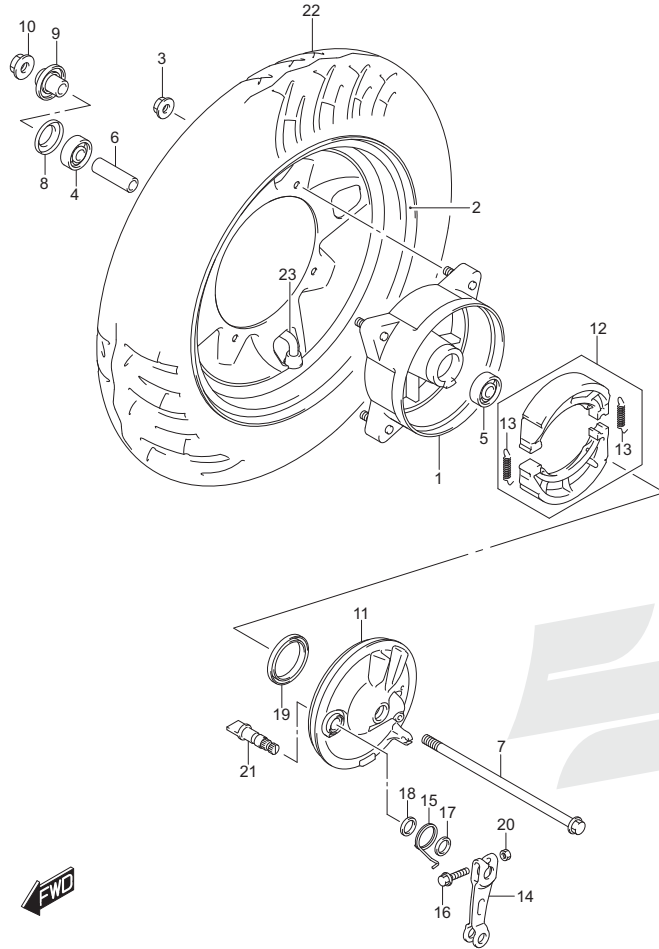


524B (G-3) STEERING STEM (UZ125NE,UZ125NEY)

REF NO.	PART NO.	DESCRIPTION	QTY	REMARKS
1	51410-08K10-000	BRACKET,FRONT FORK LOWER	1	
2	51622-41H00-000	.RACE	1	
3	51434-08K10-000	BOLT, FR FORK INNER TUBE CLAMP	4	
4	51612-41H01-000	RACE,STEERING INNER LOWER	1	
5	51611-41H01-000	RACE,STEERING INNER UPPER	1	
6	51643-06001-000	DUST SEAL,UPPER	1	
7	06111-06004-000	BALL	28	
8	51621-41H00-000	RACE,STEERING OUTER UPPER	1	
9	06111-06004-000	BALL	23	
10	09166-24001-000	WASHER (24.5X34X2.3)	1	
11	51631-05000-000	NUT,STEERING STEM	1	
12	51631-05000-000	NUT,STEERING STEM	1	
13	51435-33G10-000	WASHER	4	

530A

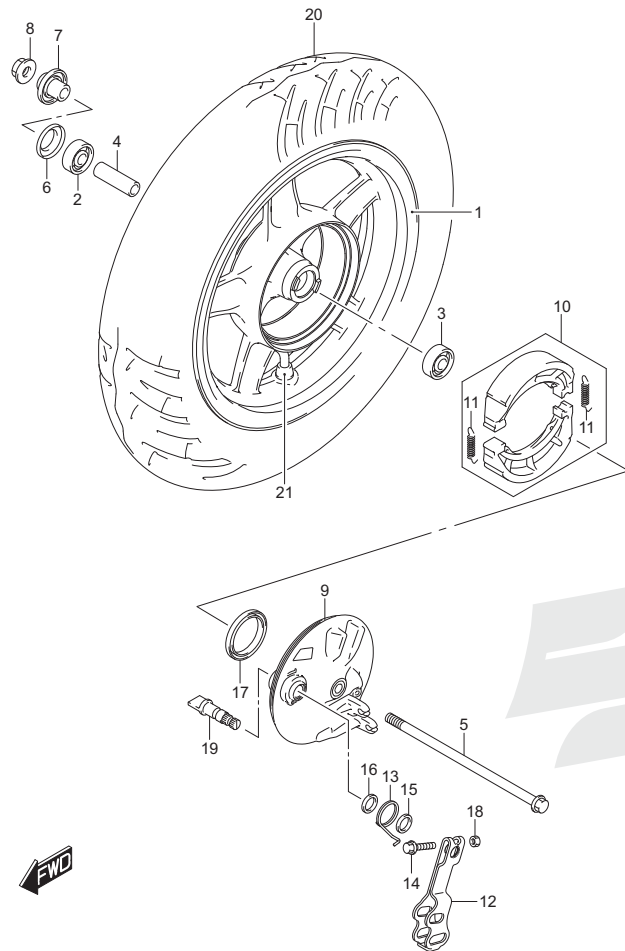
530A (G-4) FRONT WHEEL (UZ125NH)



REF NO.	PART NO.	DESCRIPTION	QTY	REMARKS
1	54110-08K10-13L	HUB,FRONT WHEEL (SILVER)	1	
2	55310-08K00-13L	RIM,WHEEL (12X2.15,SILVER)	1	
3	08319-3108A-000	NUT	4	
4	08113-63007-000	BEARING	1	
5	08123-62007-000	BEARING	1	
6	09180-10071-000	SPACER (10.4X15X48)	1	
7	54711-11F00-000	AXLE,FRONT	1	
8	54841-23J00-000	SEAL,FRONT HUB DUST (17X38X5)	1	
9	54740-08K00-000	SPACER,FRONT AXLE,R	1	
10	64147-33G10-000	NUT,FRONT HUB	1	
11	54210-08K30-13L	PANEL,FRONT BRAKE ANCHOR (SILVER)	1	
12	54400-08820-000	SHOE SET,BRAKE	1	
13	54424-28G00-000	.SPRING	2	
14	54451-08K00-000	LEVER,FRONT BRAKE CAM	1	
15	09448-30009-000	SPRING	1	
16	54455-08K00-000	BOLT,BRAKE CAM LEVER	1	
17	09160-14055-000	WASHER (14.5X22X1.6)	1	
18	54443-28G00-000	O-RING	1	
19	54267-33G00-000	SEAL,FR BRAKE PANEL OIL	1	
20	08310-0006A-000	NUT	1	
21	54441-08K10-000	CAM,FRONT BRAKE	1	
22-1	55110-08K00-000	TIRE,P74 ONLY (90/90-12 54J)	1	(NON-SERVICEABLE)
22-2	55110-08K51-000	TIRE (90/90-12 54J)	1	(NON-SERVICEABLE)
23	43130-41D90-000	VALVE ASSY,WHEEL RIM (PVR70)	1	

4

530B



530B (G-5) FRONT WHEEL (UZ125ND)

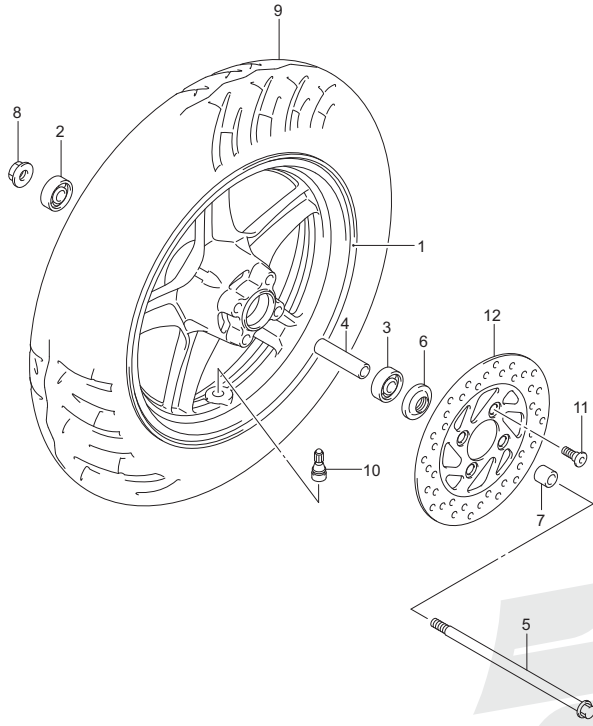
REF NO.	PART NO.	DESCRIPTION	QTY	REMARKS
1	54150-08K00-13L	WHEEL,FRONT (12X2.15,SILVER)	1	
2	08113-63007-000	BEARING	1	
3	08123-62007-000	BEARING	1	
4	09180-10071-000	SPACER (10.4X15X48)	1	
5	54711-11F00-000	AXLE,FRONT	1	
6	54841-23J00-000	SEAL,FRONT HUB DUST (17X38X5)	1	
7	54740-08K00-000	SPACER,FRONT AXLE,R	1	
8	64147-33G10-000	NUT,FRONT HUB	1	
9	54210-08K30-13L	PANEL,FRONT BRAKE ANCHOR (SILVER)	1	
10	54400-08820-000	SHOE SET,BRAKE	1	
11	54424-28G00-000	.SPRING	2	
12	54451-08K00-000	LEVER,FRONT BRAKE CAM	1	
13	09448-30009-000	SPRING	1	
14	54455-08K00-000	BOLT,BRAKE CAM LEVER	1	
15	09160-14055-000	WASHER (14.5X22X1.6)	1	
16	54443-28G00-000	O-RING	1	
17	54267-33G00-000	SEAL,FR BRAKE PANEL OIL	1	
18	08310-0006A-000	NUT	1	
19	54441-08K10-000	CAM,FRONT BRAKE	1	
20-1	55110-08K00-000	TIRE, (90/90-12 54J)	1	(NON-SERVICEABLE)
20-2	55110-08K51-000	TIRE (90/90-12 54J)	1	(NON-SERVICEABLE)
21	43130-41D90-000	VALVE ASSY,WHEEL RIM (PVR70)	1	

4

530C

530C (G-6) FRONT WHEEL (UZ125NE)

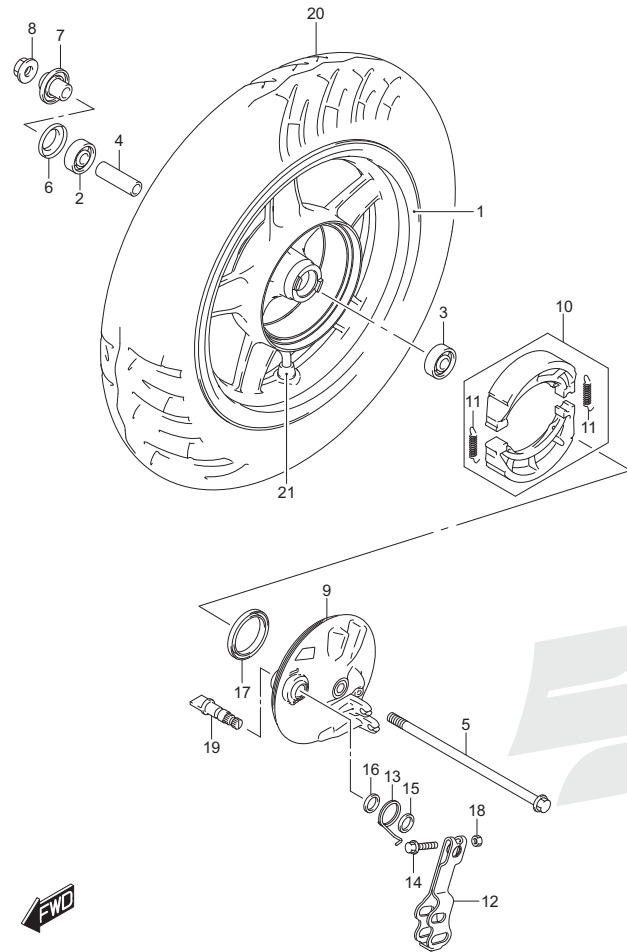
REF NO.	PART NO.	DESCRIPTION	QTY	REMARKS
1	54111-08K50-13L	WHEEL,FRONT (SILVER)	1	
2	08133-63007-000	BEARING,FRONT HUB	1	
3	08133-63007-000	BEARING,FRONT HUB	1	
4	54731-02L00-000	SPACER,FR HUB BEARING	1	
5	54711-11F00-000	AXLE,FRONT	1	
6	54841-23J00-000	SEAL,FRONT HUB DUST (17X38X5)	1	
7	54751-02L00-000	SPACER,FR AXLE L	1	
8	64147-33G10-000	NUT,FRONT HUB	1	
9-1	55110-08K20-000	TIRE	1	(NON-SERVICEABLE)
9-2	55110-08K51-000	TIRE (90/90-12 54J)	1	(NON-SERVICEABLE)
10	43130-24A70-000	VALVE ASSY, WHEEL RIM (Tr412)	1	
11	59218-34J00-000	BOLT,FRONT BRAKE DISC	4	
12	59221-08K00-000	DISC,FRONT BRAKE LH	1	



4



530D



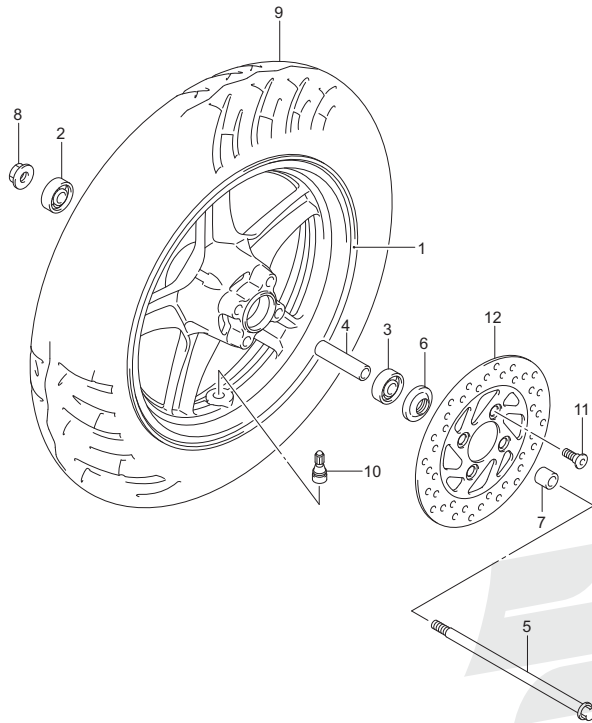
530D (G-7) FRONT WHEEL (UZ125NDY)

REF NO.	PART NO.	DESCRIPTION	QTY	REMARKS
1-1	54150-08K00-019	WHEEL,FRONT (BLACK)	1	BODY COLOR:YKV,QMV,QTZ
1-2	54150-08K00-13L	WHEEL,FRONT (12X2.15,SILVER)	1	BODY COLOR:YPA
2	08113-6300B-000	BEARING,FRONT HUB RH	1	
3	08123-6200B-000	BEARING,FRONT HUB LH	1	
4	09180-10071-000	SPACER (10.4X15X48)	1	
5	54711-11F00-000	AXLE,FRONT	1	
6	54841-23J00-000	SEAL,FRONT HUB DUST (17X38X5)	1	
7	54740-08K00-000	SPACER,FRONT AXLE RH	1	
8	64147-33G10-000	NUT,FRONT HUB	1	
9-1	54210-08K30-019	PANEL,FRONT BRAKE ANCHOR (BLACK)	1	BODY COLOR:YKV,QMV,QTZ
9-2	54210-08K30-13L	PANEL,FRONT BRAKE ANCHOR (SILVER)	1	BODY COLOR:YPA
10	54400-08820-000	SHOE SET,BRAKE	1	
11	54424-28G00-000	SPRING	2	
12	54451-08K00-000	LEVER,FRONT BRAKE CAM	1	
13	09448-30009-000	SPRING	1	
14	54455-08K00-000	BOLT,BRAKE CAM LEVER	1	
15	09160-14055-000	WASHER (14.5X22X1.6)	1	
16	54443-28G00-000	O-RING	1	
17	54267-33G00-000	SEAL,FR BRAKE PANEL OIL	1	
18	08310-0006A-000	NUT	1	
19	54441-08K10-000	CAM,FRONT BRAKE	1	
20-1	55110-08K00-000	TIRE, (90/90-12 54J)	1	(NON-SERVICEABLE)
20-2	55110-08K51-000	TIRE (90/90-12 54J)	1	(NON-SERVICEABLE)
21	43130-41D90-000	VALVE ASSY,WHEEL RIM (PVR70)	1	

530E

530E (G-8) FRONT WHEEL (UZ125NEY)

REF NO.	PART NO.	DESCRIPTION	QTY	REMARKS
1-1	54111-08K50-13L	WHEEL,FRONT (SILVER)	1	BODY COLOR:YPA
1-2	54111-08K70-019	WHEEL,FRONT (BLACK)	1	BODY COLOR:YKV,QMV,QTZ
2	08133-63007-000	BEARING,FRONT HUB	1	
3	08133-63007-000	BEARING,FRONT HUB	1	
4	54731-02L00-000	SPACER,FR HUB BEARING	1	
5	54711-11F00-000	AXLE,FRONT	1	
6	54841-23J00-000	SEAL,FRONT HUB DUST (17X38X5)	1	
7	54751-02L00-000	SPACER,FR AXLE LH	1	
8	64147-33G10-000	NUT,FRONT HUB	1	
9-1	55110-08K20-000	TIRE	1	(NON-SERVICEABLE)
9-2	55110-08K51-000	TIRE (90/90-12 54J)	1	(NON-SERVICEABLE)
10	43130-24A70-000	VALVE ASSY, WHEEL RIM (TR412)	1	
11	59218-34J00-000	BOLT,FRONT BRAKE DISC	4	
12	59221-08K00-000	DISC,FRONT BRAKE LH	1	

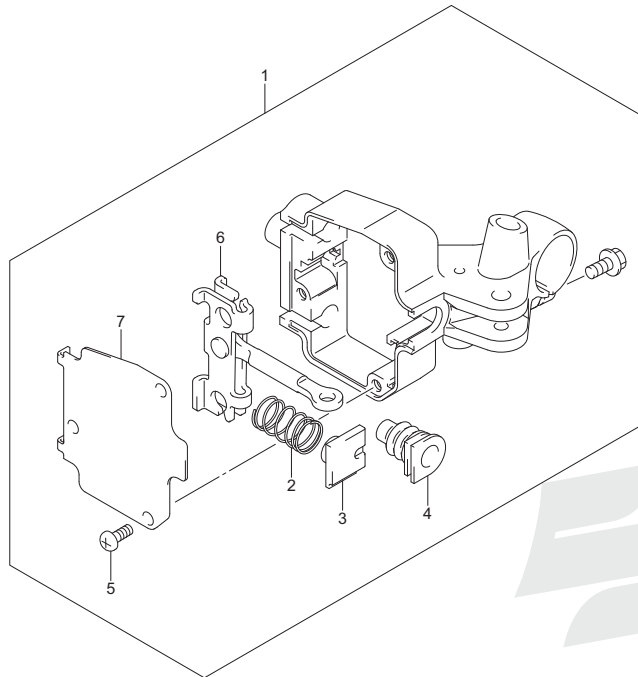


4



531A

531A (G-9) FRONT WHEEL BRAKE (UZ125NH,UZ125ND,UZ125NDY)



REF NO.	PART NO.	DESCRIPTION	QTY	REMARKS
1	55900-08K30-000	UNIT ASSY,COMBINED BRAKE	1	
2	55935-08K20-000	.SPRING,DELAY	1	
3	55937-08K20-000	.STOPPER	1	
4	55954-08K20-000	.BOOT,COMBINED BRAKE ROD	1	
5	02112-0510A-000	.SCREW	3	
6	55930-08K30-000	.EQUALIZER	1	
7	55953-08K20-000	.CAP,COMBINED BRAKE UNIT	1	

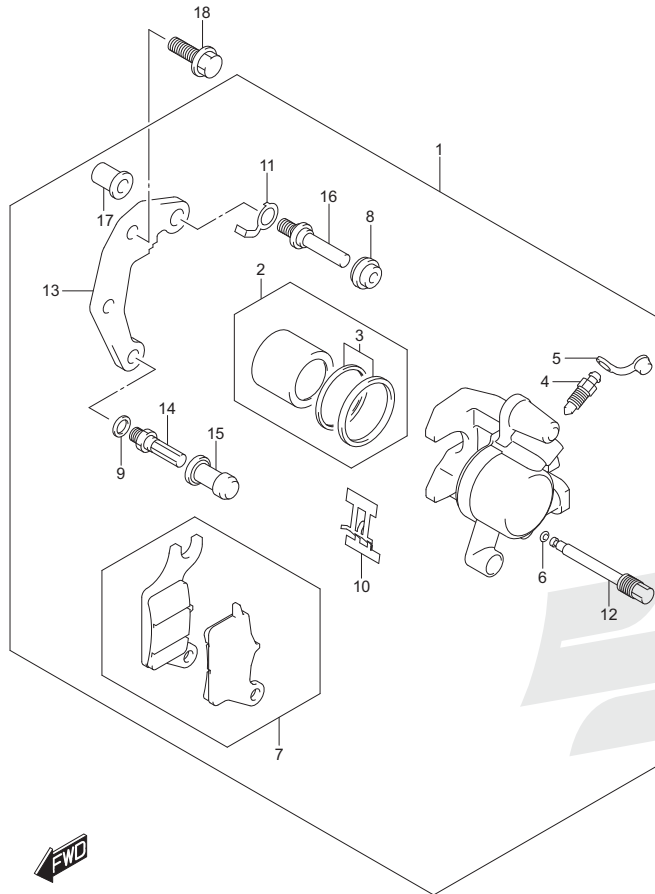


UZ125NEM0_P74_531A
FRONT WHEEL BRAKE (UZ125NH,UZ125ND,UZ125NDY)

535A

535A (G-10) FRONT CALIPER (UZ125NE,UZ125NEY)

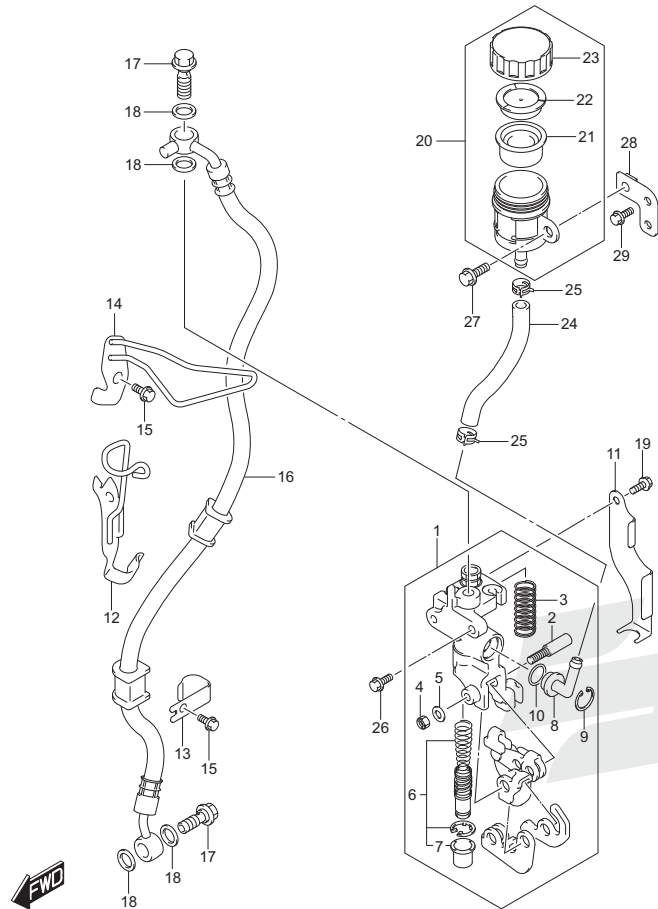
4



REF NO.	PART NO.	DESCRIPTION	QTY	REMARKS
1	59300-08K50-000	CALIPER ASSY,FRONT	1	
2	59300-08860-000	.PISTON SET	1	
3	59100-38860-000	..SEAL SET,PISTON	1	
4	59121-01A00-000	.BLEEDER	1	
5	59122-01A00-000	.CAP,BLEEDER	1	
6	59145-37F00-000	.RING,STOPPER	1	
7	59300-08850-000	.PAD SET	1	
8	59303-14500-000	.BOOT	1	
9	59314-13A00-000	.WASHER	1	
10	59315-08K00-000	.SPRING, PAD	1	
11	59333-08K00-000	.RETAINER BRACKET	1	
12	59345-08K00-000	.PIN HANGER	1	
13	59351-08K00-000	.BRACKET FR	1	
14	59382-13A00-000	.BOLT	1	
15	59386-13A00-000	.BOOT	1	
16	59387-41HA0-000	.PIN,BOLT	1	
17	59388-41HA0-000	.NUT	1	
18	01550-0825A-000	BOLT	2	

537A

537A (G-11) FRONT MASTER CYLINDER (UZ125NE,UZ125NEY)

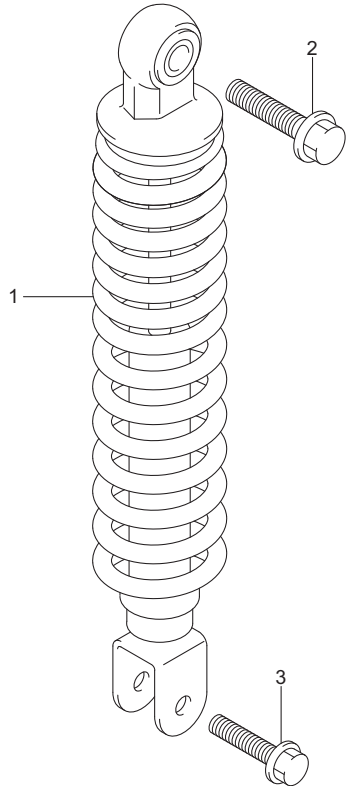


REF NO.	PART NO.	DESCRIPTION	QTY	REMARKS
1	55910-08K00-000	SUBUNIT,COMBINED BRAKE	1	
2	55925-40J00-000	.BOLT	1	
3	55935-40J00-000	.SPRING	1	
4	55936-40J00-000	.NUT	1	
5	55938-40J00-000	.WASHER	1	
6	59600-21810-000	.PISTON & CUP SET	1	
7	59666-44300-000	.BOOT	1	
8	69672-00B20-000	.CONNECTOR	1	
9	69647-00B20-000	.CIRCLIP	1	
10	69686-34200-000	.O-RING	1	
11	55933-08K00-000	COVER,COMBINED BRAKE UNIT	1	
12	59260-08K10-000	CLAMP,FR BRAKE HOSE	1	
13	59267-08K00-000	CLAMP,BRAKE HOSE	1	
14	59270-44K00-000	GUIDE,FR BRAKE HOSE	1	
15	01547-0612A-000	BOLT	2	
16	59480-08K10-000	HOSE,FRONT BRAKE	1	
17	59492-30H30-000	BOLT,BRAKE FLUID	2	
18	09168-10033-000	WASHER (10.2X15X1.4)	4	
19	02142-0612A-000	SCREW	1	
20	59740-08K00-000	TANK ASSY,RESERVOIR	1	
21	69667-00B20-000	.DIAPHRAGM	1	
22	69668-00B20-000	.PLATE	1	
23	69669-08K00-000	.CAP	1	
24	59730-44K00-000	HOSE,RESERVOIR TANK	1	
25	59735-17C00-000	CLAMP,RESERVOIR TANK,FRONT	2	
26	01550-0612A-000	BOLT	2	
27	01550-0616A-000	BOLT	1	
28	59750-08K00-000	BRACKET, RESERVOIR TANK	1	
29	01550-0510A-000	BOLT	2	

545A

545A (G-12) REAR SHOCK ABSORBER (UZ125NH,UZ125ND,UZ125NDY)

REF NO.	PART NO.	DESCRIPTION	QTY	REMARKS
1	62100-08K00-000	ABSORBER ASSY,REAR SHOCK	1	
2	01550-1040A-000	BOLT	1	
3	01550-0835A-000	BOLT	1	



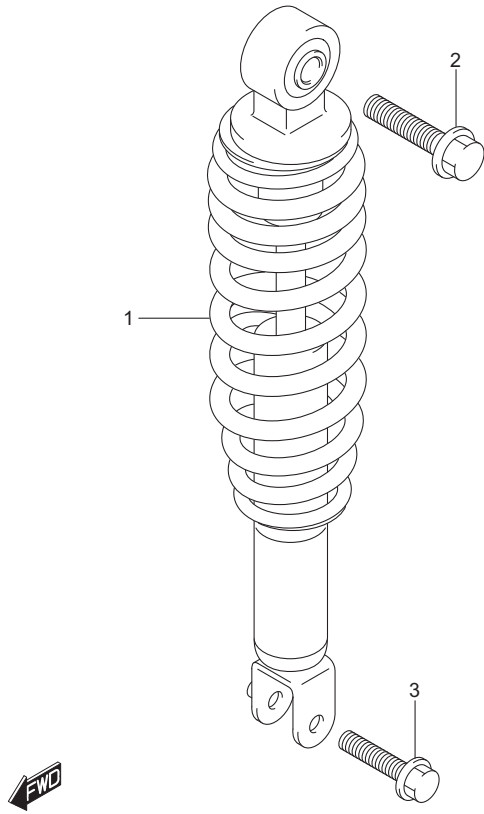
4



545B

545B (G-13) REAR SHOCK ABSORBER (UZ125NE,UZ125NEY)

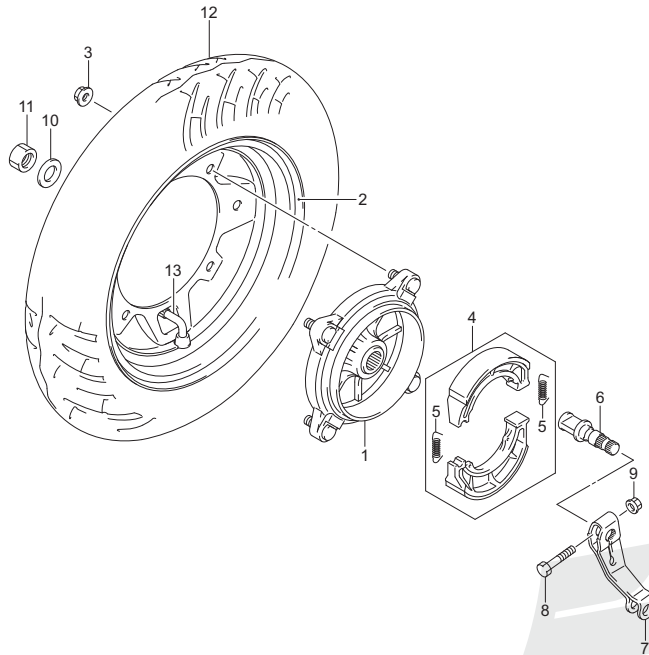
REF NO.	PART NO.	DESCRIPTION	QTY	REMARKS
1	62100-08K10-000	ABSORBER ASSY,REAR SHOCK	1	
2	01550-1040A-000	BOLT	1	
3	01550-0835A-000	BOLT	1	



550A

550A (G-14) REAR WHEEL (UZ125NH)

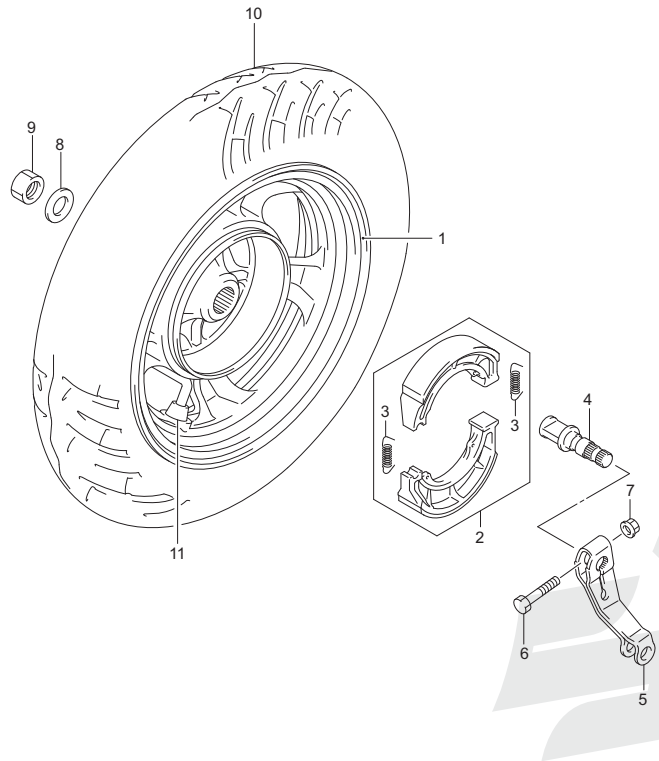
REF NO.	PART NO.	DESCRIPTION	QTY	REMARKS
1	64110-39J20-13L	HUB,REAR WHEEL (SILVER)	1	
2	55310-39J30-13L	RIM,WHEEL (10X2.15,SILVER)	1	
3	64147-33G10-000	NUT,FRONT HUB	4	
4	64400-08K10-000	SHOE SET,REAR BRAKE	1	
5	54424-28G00-000	.SPRING	2	
6	64441-09J20-000	CAM,REAR BRAKE	1	
7	64451-09J80-000	LEVER,REAR BRAKE CAM	1	
8	09100-06139-000	BOLT (6X31)	1	
9	08316-1006A-000	NUT	1	
10	64723-39J00-000	WASHER,REAR AXLE	1	
11	08319-2116A-000	NUT	1	
12-1	55110-25J00-000	TIRE (90/100-10 53J)	1	(NON-SERVICEABLE)
12-2	55110-25J51-000	TIRE (90/100-10 53J)	1	(NON-SERVICEABLE)
13	43130-41D90-000	VALVE ASSY,WHEEL RIM (PVR70)	1	



4



550B



550B (G-15) REAR WHEEL (UZ125NE)

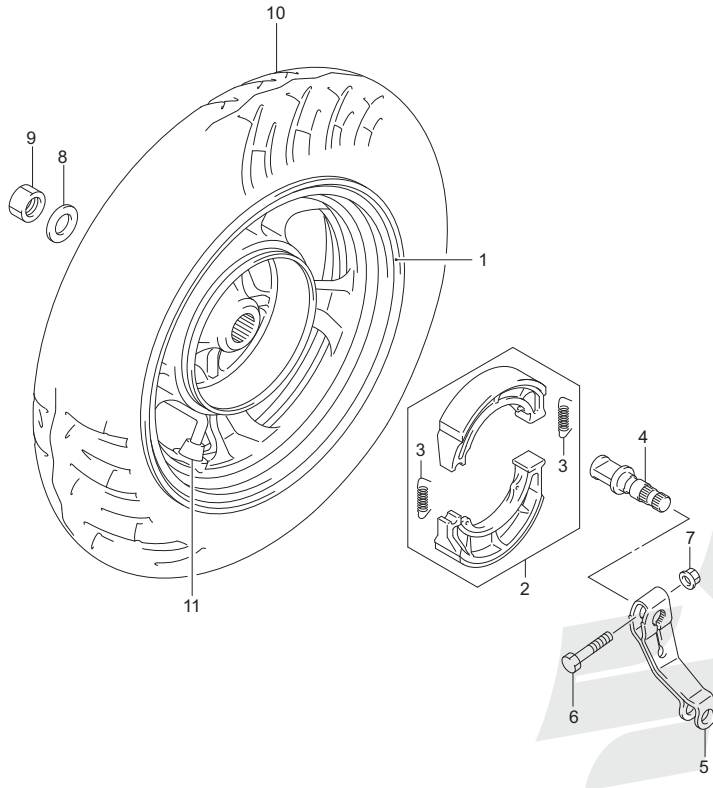
REF NO.	PART NO.	DESCRIPTION	QTY	REMARKS
1	64150-08K00-13L	WHEEL,REAR (10X2.15,SILVER)	1	
2	64400-08K10-000	SHOE SET,REAR BRAKE	1	
3	54424-28G00-000	.SPRING	2	
4	64441-09J20-000	CAM,REAR BRAKE	1	
5	64451-09J80-000	LEVER,REAR BRAKE CAM	1	
6	09100-06139-000	BOLT (6X31)	1	
7	08316-1006A-000	NUT	1	
8	64723-39J00-000	WASHER,REAR AXLE	1	
9	08319-2116A-000	NUT	1	
10-1	55110-25J20-000	TIRE	1	(NON-SERVICEABLE)
10-2	55110-25J51-000	TIRE (90/100-10 53J)	1	(NON-SERVICEABLE)
11	43130-41D90-000	VALVE ASSY,WHEEL RIM (PVR70)	1	



550C

550C (G-16) REAR WHEEL (UZ125ND)

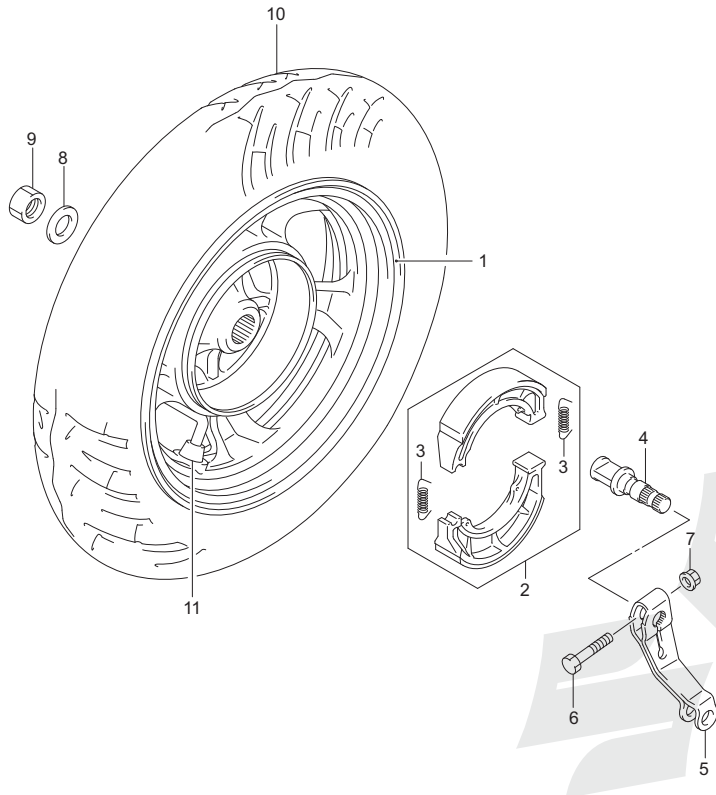
REF NO.	PART NO.	DESCRIPTION	QTY	REMARKS
1	64150-08K00-13L	WHEEL,REAR (10X2.15,SILVER)	1	
2	64400-08K10-000	SHOE SET,REAR BRAKE	1	
3	54424-28G00-000	.SPRING	2	
4	64441-09J20-000	CAM,REAR BRAKE	1	
5	64451-09J80-000	LEVER,REAR BRAKE CAM	1	
6	09100-06139-000	BOLT (6X31)	1	
7	08316-1006A-000	NUT	1	
8	64723-39J00-000	WASHER,REAR AXLE	1	
9	08319-2116A-000	NUT	1	
10-1	55110-25J00-000	TIRE (90/100-10 53J)	1	(NON-SERVICEABLE)
10-2	55110-25J51-000	TIRE (90/100-10 53J)	1	(NON-SERVICEABLE)
11	43130-41D90-000	VALVE ASSY,WHEEL RIM (PVR70)	1	



4



550D



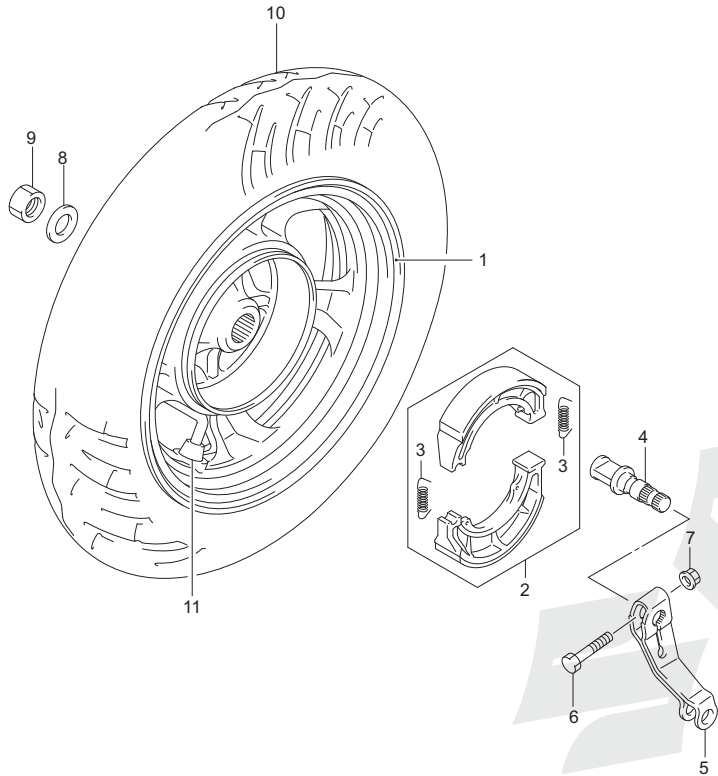
550D (H-2) REAR WHEEL (UZ125NEY)

REF NO.	PART NO.	DESCRIPTION	QTY	REMARKS
1-1	64150-08K00-019	WHEEL,REAR (10X2.15,BLACK)	1	BODY COLOR:YKV,QMV,QTZ
1-2	64150-08K00-13L	WHEEL,REAR (10X2.15,SILVER)	1	BODY COLOR:YPA
2	64400-08K10-000	SHOE SET,REAR BRAKE	1	
3	54424-28G00-000	.SPRING	2	
4	64441-09J20-000	CAM,REAR BRAKE	1	
5	64451-09J80-000	LEVER,REAR BRAKE CAM	1	
6	09100-06139-000	BOLT (6X31)	1	
7	08316-1006A-000	NUT	1	
8	64723-39J00-000	WASHER,REAR AXLE	1	
9	08319-2116A-000	NUT	1	
10-1	55110-25J20-000	TIRE	1	(NON-SERVICEABLE)
10-2	55110-25J51-000	TIRE (90/100-10 53J)	1	(NON-SERVICEABLE)
11	43130-41D90-000	VALVE ASSY,WHEEL RIM (PVR70)	1	

550E

550E (H-3) REAR WHEEL (UZ125NDY)

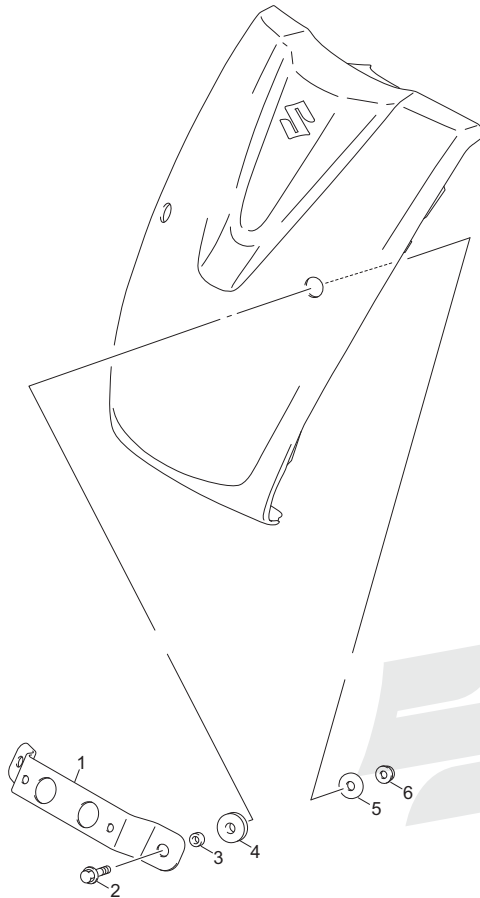
REF NO.	PART NO.	DESCRIPTION	QTY	REMARKS
1-1	64150-08K00-019	WHEEL,REAR (10X2.15,BLACK)	1	BODY COLOR:YKV,QMV,QTZ
1-2	64150-08K00-13L	WHEEL,REAR (10X2.15,SILVER)	1	BODY COLOR:YPA
2	64400-08K10-000	SHOE SET,REAR BRAKE	1	
3	54424-28G00-000	.SPRING	2	
4	64441-09J20-000	CAM,REAR BRAKE	1	
5	64451-09J80-000	LEVER,REAR BRAKE CAM	1	
6	09100-06139-000	BOLT (6X31)	1	
7	08316-1006A-000	NUT	1	
8	64723-39J00-000	WASHER,REAR AXLE	1	
9	08319-2116A-000	NUT	1	
10-1	55110-25J00-000	TIRE (90/100-10 53J)	1	(NON-SERVICEABLE)
10-2	55110-25J51-000	TIRE (90/100-10 53J)	1	(NON-SERVICEABLE)
11	43130-41D90-000	VALVE ASSY,WHEEL RIM (PVR70)	1	



4



970A



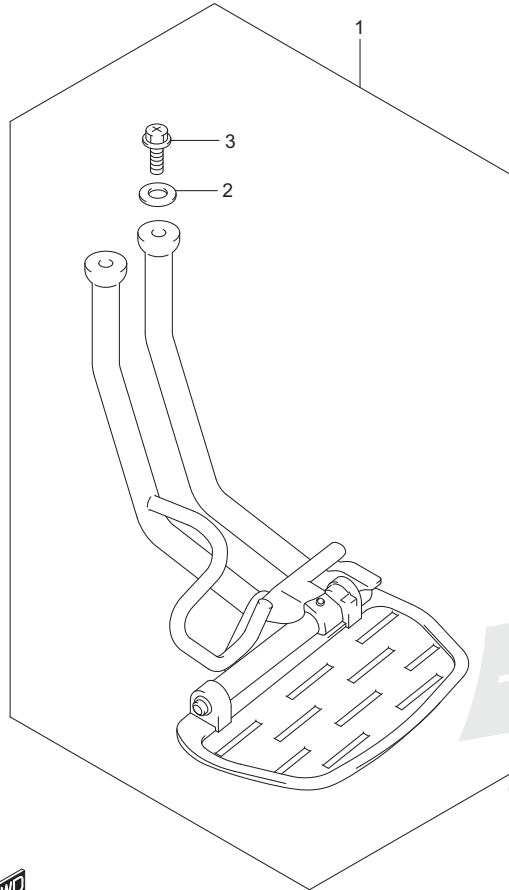
970A (H-4) FRONT LICENSE PLATE

REF NO.	PART NO.	DESCRIPTION	QTY	REMARKS
1	48191-08K00-000	BRACKET, FRONT LICENSE	1	
2	01550-0616A-000	BOLT	2	
3	09180-06082-000	SPACER (6.5X10.5X6.5)	2	
4	47161-23J00-000	CUSHION, FRAME COVER UPPER	2	
5	09160-06060-000	WASHER	2	
6	08316-1006A-000	NUT	2	

970B

970B (H-5) OPTIONAL (REAR FOOTREST SIDE TUBE SET)

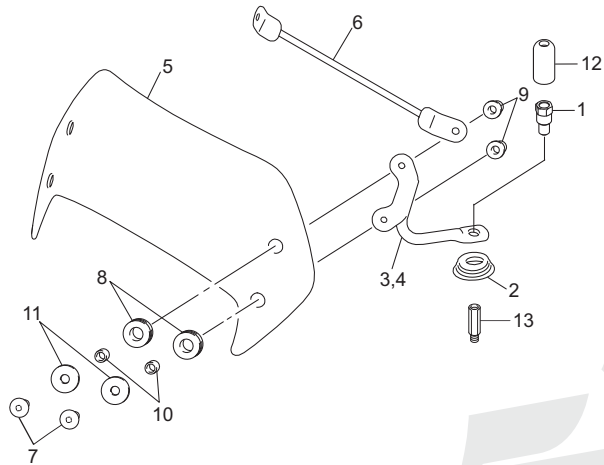
REF NO.	PART NO.	DESCRIPTION	QTY	REMARKS
1	43600-33830-000	TUBE SET, RR FOOTREST SIDE	1	
2	09160-08025-000	WASHER FOOTREST RR SIDE	2	
3	01550-0830B-000	.BOLT	2	



4

970C

970C (H-6) OPTIONAL (METER VISOR)



REF NO.	PART NO.	DESCRIPTION	QTY	REMARKS
1	56533-02L00-000	BOLT, ADAPTER UNDER	2	
2	94614-02L00-000	BOOT, MIRROR LOWER	2	
3	94620-02L00-000	BRACE, METER VISOR, R	1	
4	94630-02L00-000	BRACE, METER VISOR, L	1	
5	94611-02L00-000	VISOR, METER	1	
6	94640-02L00-000	JIG, METER VISOR BRACE	1	
7	09139-06028-000	SCREW (6*20)	4	
8	94612-02L00-000	CUSHION METER VISOR	4	
9	08313-2006B-000	NUT	4	
10	09180-06263-000	SPACER (6.5*9*9)	4	
11	09160-06088-000	WASHER (6.5*20*1.6)	4	
12	94613-02L00-000	BOOT MIRROR UPPER	2	
13	56633-33G60-000	BOLT, ADAPTER UPPER	2	

NOTE:- REF NO. "6" (JIG, METER VISOR BRACE) IS A TOOL WHICH IS USED TO MEASURE THE GAP BETWEEN "BRACE, METER VISOR RH & LH". AFTER MEASURING THE GAP AND INSTALLATION, PLEASE REMOVE THIS TOOL FROM THE VEHICLE.



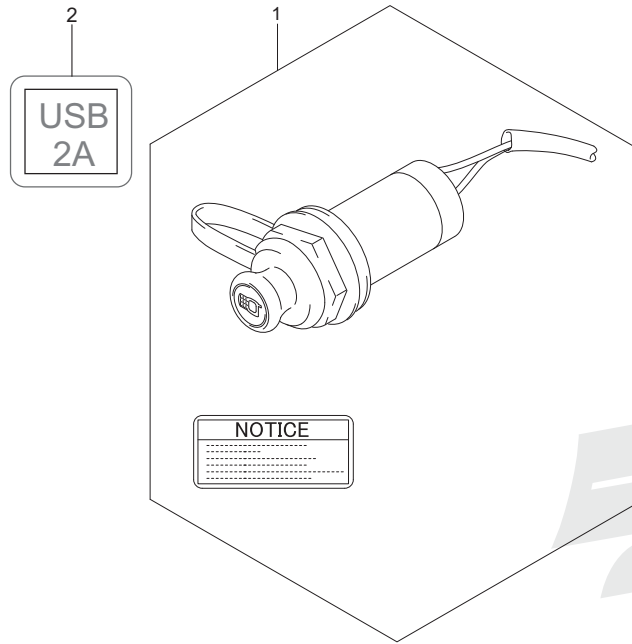
970D

970D (H-7) OPTIONAL (UZ125NE/NH/ND)(SOCKET SET, USB)



REF NO.	PART NO.	DESCRIPTION	QTY	REMARKS
1	39105-44K00-000	SOCKET USB	1	
2	38852-44K10-000	LABEL, USB AMP	1	

4



PARTS NUMBER INDEX

PART NO.	FIG. NO.-REFNO.	PART NO.	FIG. NO.-REFNO.	PART NO.	FIG. NO.-REFNO.
00000		01550-0612A-000	438C 6	03541-0416A-000	463A 7
		01550-0612A-000	456A 2	03541-0416A-000	463B 7
		01550-0612A-000	460A 4	03541-0416A-000	463C 7
		01550-0612A-000	460B 4	03541-0416B-000	463A 5
		01550-0612A-000	460C 4	03541-0416B-000	463B 5
01421-0616A-000	163A 4	01550-0612A-000	474A 2	03541-0416B-000	463C 5
01421-0625A-000	103A 9	01550-0612A-000	537A 26	03541-0512A-000	427A 19
01547-0610A-000	172A 12	01550-0616A-000	352A 2	03541-0512A-000	435A 10
01547-0610A-000	172A 13	01550-0616A-000	435A 15	03541-0512A-000	435B 10
01547-0610A-000	172A 14	01550-0616A-000	435B 15	03541-0512A-000	435C 10
01547-0610A-000	427A 18	01550-0616A-000	435C 15	03541-0516A-000	181A 7
01547-0610A-000	462A 19	01550-0616A-000	460A 3	03541-0516A-000	181A 10
01547-0610A-000	462A 22	01550-0616A-000	460B 3	03541-0516A-000	330A 5
01547-0610A-000	462B 19	01550-0616A-000	460C 3	03541-0516A-000	330B 5
01547-0610A-000	462B 22	01550-0616A-000	537A 27	03541-0516A-000	438A 3
01547-0610A-000	462C 17	01550-0616A-000	970A 2	03541-0516A-000	438A 5
01547-0610A-000	462C 20	01550-0812A-000	107A 6	03541-0516A-000	438B 3
01547-0610A-000	462D 17	01550-0812A-000	108A 11	03541-0516A-000	438B 5
01547-0610A-000	462D 20	01550-0812A-000	108A 13	03541-0516A-000	438C 3
01547-0612A-000	112A 8	01550-0825A-000	535A 18	03541-0516A-000	438C 5
01547-0612A-000	537A 15	01550-0830A-000	505A 13	03541-0516A-000	440A 6
01547-0620A-000	127A 8	01550-0830A-000	505B 13	03541-0516A-000	440B 6
01547-0620A-000	140A 12	01550-0830A-000	405A 2	03541-0516A-000	440C 6
01547-0620A-000	312A 9	01550-0830A-000	405B 2	03541-0516A-000	440D 6
01547-0620A-000	467A 10	01550-0830B-000	970B 3	03541-0516A-000	445A 10
01547-0620A-000	467A 18	01550-0835A-000	545A 3	03541-0516A-000	445A 11
01547-0620A-000	467B 6	01550-0835A-000	545B 3	03541-0516A-000	445A 21
01547-0625A-000	112A 5	01550-1040A-000	163A 5	03541-0516A-000	445A 22
01547-0625A-000	170A 5	01550-1040A-000	545A 2	03541-0516A-000	445B 10
01547-0625A-000	181A 6	01550-1040A-000	545B 2	03541-0516A-000	445B 11
01547-0625A-000	181A 9	02112-0510A-000	102A 7	03541-0516A-000	445B 21
01547-0630A-000	108A 17	02112-0510A-000	531A 5	03541-0516A-000	445B 22
01547-0630A-000	301A 14	02112-0525A-000	467A 3	03541-0516A-000	445C 10
01547-0655A-000	108A 5	02112-0525A-000	467B 3	03541-0516A-000	445C 11
01547-0655A-000	108A 18	02112-0612A-000	103A 12	03541-0516A-000	445C 21
01547-0680A-000	170A 8	02112-0612A-000	505A 8	03541-0516A-000	445C 22
01547-0690A-000	112A 6	02112-0612A-000	505B 8	03541-0516A-000	456A 10
01547-0695A-000	108A 6	02112-34063-000	301A 10	03541-0516A-000	456A 14
01550-0510A-000	462A 12	02112-34088-000	301A 11	03541-0516A-000	505A 5
01550-0510A-000	462B 12	02112-3510A-000	352A 4	03541-0516A-000	505B 5
01550-0510A-000	462C 29	02112-3512A-000	301A 12	03541-0516B-000	440A 7
01550-0510A-000	462D 29	02122-0616A-000	211A 18	03541-0516B-000	440B 7
01550-0510A-000	537A 29	02142-0510B-000	462A 25	03541-0516B-000	440C 7
01550-0512A-000	126A 13	02142-0510B-000	462B 25	03541-0516B-000	440D 7
01550-0610A-000	462C 25	02142-0510B-000	462C 30	03541-0520A-000	445A 16
01550-0610A-000	462D 25	02142-0510B-000	462D 30	03541-0520A-000	445B 16
01550-0612A-000	181A 2	02142-0512A-000	456A 7	03541-0520A-000	445C 16
01550-0612A-000	335A 11	02142-0512A-000	463A 6	03541-0520A-000	456A 16
01550-0612A-000	350A 14	02142-0512A-000	463B 6	03541-0520A-000	462A 23
01550-0612A-000	350B 14	02142-0512A-000	463C 6	03541-0520A-000	462B 23
01550-0612A-000	435A 9	02142-0512B-000	463A 4	03541-0520A-000	462C 23
01550-0612A-000	435B 9	02142-0512B-000	463B 4	03541-0520A-000	462D 23
01550-0612A-000	435C 9	02142-0512B-000	463C 4	03541-0520B-000	155A 14
01550-0612A-000	438A 6	02142-0612A-000	537A 19	04111-2515A-000	415A 6
01550-0612A-000	438B 6	02162-0625A-000	312A 3	04111-3020A-000	407A 4

PART NO.	FIG. NO.-REFNO.	PART NO.	FIG. NO.-REFNO.	PART NO.	FIG. NO.-REFNO.
06111-06004-000	524A 7	08319-2116A-000	550E 9	09148-05060-000	445B 9
06111-06004-000	524A 9	08319-3108A-000	530A 3	09148-05060-000	445B 12
06111-06004-000	524B 7	08319-3110A-000	401A 6	09148-05060-000	445C 8
06111-06004-000	524B 9	08322-0106A-000	440A 10	09148-05060-000	445C 9
06112-07004-000	240A 11	08322-0106A-000	440B 10	09148-05060-000	445C 12
07130-0612A-000	303A 5	08322-0106A-000	440C 9	09148-05060-000	474A 5
07130-0612A-000	303A 6	08322-0106A-000	440D 10	09150-06010-000	462A 17
07130-0616A-000	330A 7	08331-31149-000	240A 5	09150-06010-000	462B 17
07130-0616A-000	330B 7	08331-31249-000	211A 11	09150-06010-000	462C 15
07130-0625A-000	140A 14	08332-1103A-000	467B 20	09150-06010-000	462D 15
07130-0625A-000	303A 4	08332-11059-000	170A 4	09160-05013-000	467A 6
08110-62020-000	211A 6	08341-31039-000	303A 8	09160-05013-000	467B 10
08110-62030-000	211A 15	09100-06139-000	550A 8	09160-05501-000	435A 17
08113-63007-000	530A 4	09100-06139-000	550B 6	09160-05501-000	435B 17
08113-63007-000	530B 2	09100-06139-000	550C 6	09160-05501-000	435C 17
08113-6300B-000	530D 2	09100-06139-000	550D 6	09160-05501-000	474A 8
08123-62007-000	530A 5	09100-06139-000	550E 6	09160-06028-000	163A 8
08123-62007-000	530B 3	09103-06247-000	127A 4	09160-06060-000	435A 7
08123-6200B-000	530D 3	09103-06501-000	103A 6	09160-06060-000	435A 13
08133-63007-000	530C 2	09103-10126-000	462A 3	09160-06060-000	435B 7
08133-63007-000	530C 3	09103-10126-000	462B 3	09160-06060-000	435B 13
08133-63007-000	530E 2	09103-10126-000	462C 3	09160-06060-000	435C 7
08133-63007-000	530F 3	09103-10126-000	462D 3	09160-06060-000	435C 13
08211-12223-000	210A 24	09106-05028-000	126A 4	09160-06060-000	970A 5
08211-12223-000	210A 28	09108-08302-000	107A 3	09160-06088-000	970C 11
08310-0006A-000	530A 20	09111-06072-000	440A 2	09160-06151-000	163A 15
08310-0006A-000	530B 18	09111-06072-000	440B 2	09160-08025-000	970B 2
08310-0006A-000	530D 18	09111-06072-000	440C 2	09160-08164-000	103A 5
08313-2006B-000	970C 9	09111-06072-000	440D 2	09160-14053-000	240A 4
08316-1005A-000	339A 10	09111-06109-000	445A 19	09160-14055-000	530A 17
08316-1006A-000	103A 10	09111-06109-000	445B 19	09160-14055-000	530B 15
08316-1006A-000	163A 6	09111-06109-000	445C 19	09160-14055-000	530D 15
08316-1006A-000	435A 16	09113-06010-000	474A 4	09166-24001-000	524A 10
08316-1006A-000	435B 16	09116-06097-000	420A 9	09166-24001-000	524B 10
08316-1006A-000	435C 16	09116-06103-000	155A 18	09168-06004-000	127A 5
08316-1006A-000	460A 8	09119-06120-000	102A 5	09168-08008-000	107A 5
08316-1006A-000	460B 8	09136-05051-000	333A 4	09168-08008-000	108A 10
08316-1006A-000	460C 8	09139-05092-000	339A 6	09168-08008-000	108A 12
08316-1006A-000	550A 9	09139-06028-000	970C 7	09168-10033-000	537A 18
08316-1006A-000	550B 7	09139-06198-000	163A 7	09180-06082-000	435A 14
08316-1006A-000	550C 7	09139-06205-000	460A 5	09180-06082-000	435B 14
08316-1006A-000	550D 7	09139-06205-000	460B 5	09180-06082-000	435C 14
08316-1006A-000	550E 7	09139-06205-000	460C 5	09180-06082-000	970A 3
08316-1006A-000	970A 6	09139-06217-000	163A 14	09180-06263-000	970C 10
08316-1008A-000	103A 4	09139-06230-000	462A 27	09180-06343-000	163A 9
08316-1010A-000	108A 9	09139-06230-000	462B 27	09180-10071-000	530A 6
08316-1010A-000	303A 7	09139-06230-000	462C 32	09180-10071-000	530B 4
08319-2105A-000	467A 9	09139-06230-000	462D 32	09180-10071-000	530D 4
08319-2105A-000	467A 17	09140-12055-000	210A 23	09181-12167-000	211A 3
08319-2105A-000	467B 7	09140-12055-000	210A 27	09181-25051-000	211A 13
08319-2105A-000	467B 16	09140-28004-000	210A 14	09200-06057-000	415A 5
08319-2116A-000	550A 11	09148-05060-000	445A 8	09206-08008-000	108A 16
08319-2116A-000	550B 9	09148-05060-000	445A 9	09206-08008-000	112A 4
08319-2116A-000	550C 9	09148-05060-000	445A 12	09206-08008-000	126A 5
08319-2116A-000	550D 9	09148-05060-000	445B 8	09206-10014-000	108A 4

PART NO.	FIG. NO.-REFNO.	PART NO.	FIG. NO.-REFNO.	PART NO.	FIG. NO.-REFNO.
09206-10016-000	103A 7	09409-06L07-000	445A 13	11482-08K00-000	112A 3
09206-10016-000	107A 4	09409-06L07-000	445A 14	11484-39J30-000	108A 15
09209-11002-000	462A 16	09409-06L07-000	445B 13	11611-39J00-000	108A 8
09209-11002-000	462B 16	09409-06L07-000	445B 14	11971-09J00-000	108A 19
09209-11002-000	462C 14	09409-06L07-000	445C 13	12100-08K50-050	120A 8
09209-11002-000	462D 14	09409-06L07-000	445C 14	12111-08K00-0F0	120A 4
09251-04004-000	427A 10	09409-08L09-000	335A 10	12140-08K50-000	120A 5
09261-05005-000	126A 6	09409-08L09-000	339A 8	12151-43J00-000	120A 6
09262-12034-000	211A 7	09409-08L09-000	445A 20	12200-08K50-000	120A 1
09262-12035-000	211A 8	09409-08L09-000	445B 20	12227-08K00-000	120A 3
09262-20171-000	211A 4	09409-08L09-000	445C 20	12710-02L00-000	126A 1
09262-22041-000	211A 16	09440-05005-000	240A 10	12714-34J10-000	126A 3
09280-17003-000	108A 20	09443-17026-000	407A 6	12740-08K00-000	126A 2
09280-26013-000	140A 16	09448-30009-000	530A 15	12760-08K10-000	127A 1
09283-16L03-000	120A 2	09448-30009-000	530B 13	12771-08K00-000	127A 2
09283-20069-000	211A 5	09448-30009-000	530D 13	12811-08K10-000	127A 3
09283-29007-000	211A 14	09462-00034-000	310A 3	12830-42K00-000	127A 6
09289-05019-000	126A 20	09471-12128-000	339A 2	12837-39J20-000	127A 7
09320-08018-000	339A 7	09471-12216-000	335A 3	12840-43J00-000	126A 8
09320-08082-000	163A 10	09471-12216-000	335A 7	12842-34J00-000	126A 9
09381-10004-000	103A 2	09471-12226-000	335A 4	12843-27A70-000	126A 10
09381-12001-000	120A 7	09471-12226-000	335A 8	12861-35J00-000	126A 11
09383-08002-000	240A 9	09471-12226-000	339A 3	12871-35J00-000	126A 12
09401-08001-000	427A 11	09481-15501-000	350A 2	12911-43J00-000	126A 14
09401-08001-000	427A 12	09481-15501-000	350B 2	12912-02L00-000	126A 15
09401-09101-000	427A 13	09481-20501-000	350A 3	12921-43J00-000	126A 16
09401-09101-000	427A 14	09481-20501-000	350B 3	12931-09G20-000	126A 17
09401-09406-000	427A 20	09482-00645-000	103A 8	12932-09G10-000	126A 18
09401-09L03-000	427A 24			12933-09G00-000	126A 19
09401-10401-000	427A 15			12951-08K00-000	126A 7
09401-12418-000	155A 9			13111-02L00-000	140A 13
09401-13102-000	427A 16			13128-08K00-000	140A 15
09401-14101-000	155A 10			13295-02L00-000	140A 7
09402-44208-000	155A 13			13400-02L00-000	140A 1
09402-46209-000	112A 10			13417-02L00-000	140A 4
09404-06429-000	172A 11	11110-02L00-000	103A 1	13421-02L00-000	140A 5
09404-06429-000	181A 12	11141-35J00-000	103A 3	13438-09JA0-000	140A 3
09407-14L01-000	339A 11	11170-02L00-000	102A 1	13602-02L00-000	140A 6
09407-14L01-000	350A 6	11173-02L00-000	102A 2	13640-02L00-000	107A 7
09407-14L01-000	350B 5	11176-08K00-000	102A 3	13700-02L00-000	155A 1
09407-15L01-000	350A 5	11177-08K00-000	102A 4	13700-08810-000	155A 7
09407-15L01-000	350B 4	11186-02L00-000	102A 8	13719-84150-000	339A 5
09407-19L01-000	350A 7	11191-27E70-000	102A 6	13719-84150-000	420A 1
09407-19L01-000	350B 6	11210-02L00-0F0	107A 1	13740-08K00-000	155A 3
09407-25L02-000	505A 11	11241-08K00-000	107A 2	13746-08K00-000	155A 4
09407-25L02-000	505B 11	11301-08840-000	108A 1	13746-08K00-000	155A 6
09407-29L01-000	350A 8	11315-39J00-000	108A 2	13755-54G00-000	155A 2
09407-29L01-000	350B 7	11316-39J00-000	108A 3	13786-08K00-000	155A 8
09408-00343-000	427A 17	11325-09J00-000	108A 7	13825-08K00-000	155A 11
09409-06L07-000	435A 5	11325-09J00-000	112A 2	13850-02L00-000	155A 15
09409-06L07-000	435A 8	11340-08K10-000	112A 1	13859-41B10-000	155A 16
09409-06L07-000	435B 5	11346-08K00-000	112A 7	13871-41H00-000	155A 12
09409-06L07-000	435B 8	11383-39J00-000	112A 9	13891-08K00-000	155A 5
09409-06L07-000	435C 5	11386-39J00-000	112A 11	14180-44K00-000	163A 11
09409-06L07-000	435C 8	11430-39840-000	108A 14	14181-30A30-000	163A 1

PART NO.	FIG. NO.-REFNO.	PART NO.	FIG. NO.-REFNO.	PART NO.	FIG. NO.-REFNO.
14182-44K00-000	163A 12	21214-08K00-000	210A 16	32920-02L00-000	312A 4
14310-02L00-000	163A 2	21215-08K10-000	210A 15	33410-02L00-000	312A 5
14781-08K00-000	163A 3	21216-08K00-000	210A 18	33510-08K00-000	312A 6
14795-10FA0-000	163A 13	21220-08K00-000	210A 22	33541-08K00-000	312A 7
15100-02L00-000	172A 1	21240-08K01-000	210A 6	33542-08K00-000	312A 8
15121-02L00-000	172A 4	21243-08K00-000	210A 7	33610-39J00-000	310A 1-1
15201-02L00-000	172A 5	21245-09J00-000	210A 8	33610-39J10-000	310A 1-2
15420-02L00-000	172A 2	21246-08K00-000	210A 9	33652-39J00-000	310A 2
15424-09JB0-000	172A 3	21247-08K00-000	210A 17	34100-02L00-000	330A 1
15710-02L00-000	140A 8	21247-08K00-000	210A 29	34100-02LA0-000	330B 1
15716-42J00-000	140A 9	21248-08K00-000	210A 10	34152-02L00-000	330A 2
15722-02L00-000	140A 10	21431-33G00-000	210A 19	34152-02L00-000	330B 3
15810-02L00-000	172A 6	21471-08K00-000	210A 12	34154-02L00-000	330A 3
15830-02L00-000	140A 11	21472-08K10-000	210A 11	34154-02L00-000	330B 2
15891-02L00-000	172A 7	21481-08K00-000	210A 20	34383-10B00-000	330A 4
15892-02L00-000	172A 8	21501-08K00-000	210A 13	34383-10B00-000	330B 4
15893-02L00-000	172A 9	21650-08K10-000	210A 21	34810-02L00-000	172A 15
15894-02L00-000	172A 10	24131-33G80-000	211A 1	34990-44K00-000	330A 6
16331-08K00-000	170A 1	24141-08K10-000	211A 9	34990-44K00-000	330B 6
16400-08K00-000	170A 2	24142-08K00-000	211A 12	35100-02L00-000	333A 1
16421-20E00-000	170A 3	24150-39J20-000	211A 2	35157-34J00-000	474A 7
16422-09J00-000	170A 6	24371-39J10-000	211A 10	35194-23F00-000	333A 3
16423-09J00-000	170A 7	24741-20A10-000	103A 11	35529-02L00-000	333A 2
16520-09J00-000	170A 9	24751-09J00-000	211A 17	35601-08K00-000	335A 1
16523-09J00-000	170A 10	26200-39J00-000	240A 6	35602-08K00-000	335A 5
16525-09J00-000	170A 12	26210-08K00-000	240A 1	35618-08K00-000	335A 2
16526-09J00-000	170A 11	26212-46G00-000	240A 2	35638-08K00-000	335A 6
17110-09J50-000	181A 1	26213-39J00-000	240A 3	35710-08KA0-000	339A 1
17120-02L00-000	181A 3	26231-08K00-000	210A 26	35950-28K01-000	460A 7
17122-02L00-000	181A 4	26300-08K00-000	240A 7	35950-28K01-000	460B 7
17123-08K00-000	181A 5	26314-33G30-000	240A 12	35950-28K01-000	460C 7
17124-02L00-000	181A 11	26351-08K00-000	240A 8	35970-28G00-000	339A 9
17130-02L00-000	181A 8	27601-08K10-000	210A 25	36610-02L00-000	350A 1
18117-10K00-000	140A 2			36610-02L10-000	350B 1
18213-12K10-000	163A 16			36851-02L00-000	420A 6
18510-39J20-000	427A 1			36990-70F20-000	350A 4
18560-02L00-000	427A 2			36990-70F20-000	350B 8
18561-02L00-000	427A 3			36990-70F20-000	505A 10
18562-02L00-000	427A 4			36990-70F20-000	505B 10
18563-02L00-000	427A 5			37100-08K00-000	352A 1
18567-02L00-000	427A 6	31100-08K20-000	301A 1	37155-08810-000	352A 3
18571-02L00-000	427A 7	31130-08K20-000	301A 2	37310-02L00-000	350A 9
18572-02L00-000	427A 8	31131-08K20-000	301A 3	37310-02L00-000	350B 9
18573-02L00-000	427A 9	31132-08K20-000	301A 4	37420-02L00-000	350A 10
		31135-08K20-000	301A 5	37420-02L00-000	350B 10
		31142-08K10-000	301A 6	37510-33G11-000	350A 11
		31156-32G00-000	301A 7	37510-33G11-000	350B 11
		31157-08K20-000	301A 8	37520-33G11-000	350A 12
		31173-08K20-000	301A 9	37520-33G11-000	350B 12
		31370-32G00-000	301A 13	37760-08K10-000	467B 21
21111-08K00-000	210A 1	31497-39J00-000	303A 1	37760-39J00-000	467A 11
21113-39J10-000	210A 2	31800-23J20-000	312A 1	37760-39J00-000	467A 19
21120-33G60-000	210A 3	32101-02L00-000	303A 2	37760-39J00-000	467B 11
21125-33G00-000	210A 4	32102-02L00-000	303A 3	38500-02L00-000	350A 13
21210-08K00-000	210A 5	32800-02L00-000	312A 2	38500-02L00-000	350B 13

PART NO.	FIG. NO.-REFNO.	PART NO.	FIG. NO.-REFNO.	PART NO.	FIG. NO.-REFNO.
38610-27K00-000	335A 9	45100-02L20-AVT	505B 1-2	47311-02L00-PGZ	445A 3-1
38852-44K10-000	350B 16	45148-20GB0-000	505A 2	47311-02L00-QMV	445C 3-3
38852-44K10-000	970D 2	45148-20GB0-000	505B 2	47311-02L00-QTZ	445C 3-4
39105-44K00-000	350B 15	45148-20GJ0-000	505A 3	47311-02L00-SAB	445A 3-2
39105-44K00-000	970D 1	45148-20GJ0-000	505B 3	47311-02L00-SAB	445B 3-1
40000		45211-08K00-000	505A 6	47311-02L00-YBA	445A 3-3
		45211-08K00-000	505B 6	47311-02L00-YBA	445B 3-2
		45271-32G10-000	505A 4	47311-02L00-YKV	445C 3-1
		45271-32G10-000	505B 4	47311-02L00-YPA	445A 3-4
		45280-08K00-000	505A 9	47311-02L00-YPA	445B 3-3
41100-02L00-000	401A 1	45280-08K00-000	505B 9	47311-02L00-YPA	445C 3-2
41170-09J10-000	401A 4	45700-33G70-000	505A 7	47311-02L00-YVB	445A 3-5
41180-39J30-000	401A 2	45700-33G70-000	505B 7-1	47311-02L00-YVB	445B 3-4
41184-39J00-000	401A 3	45700-33G80-000	505B 7-2	47312-02L00-000	445A 17
41185-08K00-000	401A 8	46211-02L00-13L	505A 12	47312-02L00-000	445B 17
41185-09J00-000	401A 7	46211-02L00-13L	505B 12-2	47312-02L00-000	445C 17
41189-39J00-000	401A 5	46211-02L00-YVB	505B 12-1	47313-02L00-PGZ	445A 18-1
41540-02L00-000	405A 1	47111-08K03-PGZ	445A 1-1	47313-02L00-QMV	445C 18-3
41540-02L10-000	405B 1	47111-08K03-QMV	445C 1-3	47313-02L00-QTZ	445C 18-4
42100-02L00-000	407A 1	47111-08K03-QTZ	445C 1-4	47313-02L00-SAB	445A 18-2
42211-39J00-000	407A 2	47111-08K03-SAB	445A 1-2	47313-02L00-SAB	445B 18-1
42251-32G00-000	407A 5	47111-08K03-SAB	445B 1-1	47313-02L00-YBA	445A 18-3
42275-25J00-000	407A 3	47111-08K03-YBA	445A 1-3	47313-02L00-YBA	445B 18-2
42278-44K00-000	407A 7	47111-08K03-YBA	445B 1-2	47313-02L00-YKV	445C 18-1
42310-08K00-000	407A 8	47111-08K03-YKV	445C 1-1	47313-02L00-YPA	445A 18-4
42341-27K00-000	407A 11	47111-08K03-YPA	445A 1-4	47313-02L00-YPA	445B 18-3
42421-33G20-000	407A 9	47111-08K03-YPA	445B 1-3	47313-02L00-YPA	445C 18-2
43130-24A70-000	530C 10	47111-08K03-YPA	445C 1-2	47313-02L00-YVB	445A 18-5
43130-24A70-000	530E 10	47111-08K03-YVB	445A 1-5	47313-02L00-YVB	445B 18-4
43130-41D90-000	530A 23	47111-08K03-YVB	445B 1-4	47349-34J01-000	440A 11
43130-41D90-000	530B 21	47121-08K00-291	445A 7	47349-34J01-000	440D 9
43130-41D90-000	530D 21	47121-08K00-291	445B 7	47349-34J01-000	474A 9
43130-41D90-000	550A 13	47121-08K00-291	445C 7-1	48111-08K10-PGZ	435A 1-1
43130-41D90-000	550B 11	47121-08K10-U1G	445C 7-2	48111-08K10-QMV	435C 1-3
43130-41D90-000	550C 11	47155-30H00-000	438A 7	48111-08K10-QTZ	435C 1-4
43130-41D90-000	550D 11	47155-30H00-000	438B 7	48111-08K10-SAB	435A 1-2
43130-41D90-000	550E 11	47155-30H00-000	438C 7	48111-08K10-SAB	435B 1-1
43600-33830-000	970B 1	47161-23J00-000	435A 11	48111-08K10-YBA	435A 1-3
43610-28G01-000	415A 1	47161-23J00-000	435B 11	48111-08K10-YBA	435B 1-2
43612-33G01-000	415A 3	47161-23J00-000	435C 11	48111-08K10-YKV	435C 1-1
43631-09G00-000	415A 4	47161-23J00-000	970A 4	48111-08K10-YPA	435A 1-4
43710-28G01-000	415A 2	47162-30H00-000	456A 15	48111-08K10-YPA	435B 1-3
44110-02L00-000	420A 2	47211-02L00-PGZ	445A 2-1	48111-08K10-YPA	435C 1-2
44200-02L00-000	420A 3	47211-02L00-QMV	445C 2-3	48111-08K10-YVB	435A 1-5
44240-13H00-000	427A 22	47211-02L00-QTZ	445C 2-4	48111-08K10-YVB	435B 1-4
44261-02L00-000	420A 7	47211-02L00-SAB	445A 2-2	48121-08K00-291	440A 1
44281-02L00-000	420A 4	47211-02L00-SAB	445B 2-1	48121-08K00-291	440B 1
44281-29C00-000	420A 5	47211-02L00-YBA	445A 2-3	48121-08K00-291	440C 1-1
44434-02L00-000	427A 23	47211-02L00-YBA	445B 2-2	48121-08K00-291	440D 1-1
44541-44J00-000	420A 10	47211-02L00-YKV	445C 2-1	48121-08K10-U1G	440C 1-2
44542-44J00-000	420A 11	47211-02L00-YPA	445A 2-4	48121-08K10-U1G	440D 1-2
44544-27K00-000	420A 8	47211-02L00-YPA	445B 2-3	48131-08K00-291	438A 4
44894-39J10-000	427A 21	47211-02L00-YPA	445C 2-2	48131-08K00-291	438B 4
45100-02L00-BBS	505A 1	47211-02L00-YVB	445A 2-5	48131-08K00-291	438C 4
45100-02L10-BEZ	505B 1-1	47211-02L00-YVB	445B 2-4	48132-08K00-PGZ	438A 1-1

PART NO.	FIG. NO.-REFNO.	PART NO.	FIG. NO.-REFNO.	PART NO.	FIG. NO.-REFNO.
48132-08K00-QMV	438C 1-3	48221-08K00-YPA	435C 3-2	51147-31030-000	521B 23
48132-08K00-QTZ	438C 1-4	48221-08K00-YVB	435A 3-5	51147-31030-000	521D 7
48132-08K00-SAB	438A 1-2	48221-08K00-YVB	435B 3-4	51147-31030-000	521D 23
48132-08K00-SAB	438B 1-1			51147-33G10-000	521A 7
48132-08K00-YBA	438A 1-3			51147-33G10-000	521A 23
48132-08K00-YBA	438B 1-2			51147-33G10-000	521C 7
48132-08K00-YKV	438C 1-1			51147-33G10-000	521C 23
48132-08K00-YPA	438A 1-4	50000		51148-08K00-000	521B 8
48132-08K00-YPA	438B 1-3			51148-08K00-000	521B 24
48132-08K00-YPA	438C 1-2			51148-08K00-000	521D 8
48132-08K00-YVB	438A 1-5	51103-08K00-13L	521B 1	51148-08K00-000	521D 24
48132-08K00-YVB	438B 1-4	51103-08K00-13L	521D 1-2	51148-33G10-000	521A 8
48133-08K00-PGZ	438A 2-1	51103-08K00-291	521D 1-1	51148-33G10-000	521A 24
48133-08K00-QMV	438C 2-3	51103-08K10-13L	521A 1	51148-33G10-000	521C 8
48133-08K00-QTZ	438C 2-4	51103-08K10-13L	521C 1-2	51148-33G10-000	521C 24
48133-08K00-SAB	438A 2-2	51103-08K10-291	521C 1-1	51153-33G10-000	521A 3
48133-08K00-SAB	438B 2-1	51104-08K00-13L	521B 17	51153-33G10-000	521A 19
48133-08K00-YBA	438A 2-3	51104-08K00-13L	521D 17-2	51153-33G10-000	521C 3
48133-08K00-YBA	438B 2-2	51104-08K00-291	521D 17-1	51153-33G10-000	521C 19
48133-08K00-YKV	438C 2-1	51104-08K10-13L	521A 17	51153-48420-000	521B 3
48133-08K00-YPA	438A 2-4	51104-08K10-13L	521C 17-2	51153-48420-000	521D 19
48133-08K00-YPA	438B 2-3	51104-08K10-291	521C 17-1	51153-48420-000	521D 3
48133-08K00-YPA	438C 2-2	51110-08K00-000	521B 9	51153-48420-000	521D 19
48133-08K00-YVB	438A 2-5	51110-08K00-000	521B 25	51156-33G10-000	521A 4
48133-08K00-YVB	438B 2-4	51110-08K00-000	521D 9	51156-33G10-000	521A 20
48191-08K00-000	435A 12	51110-08K00-000	521D 25	51156-33G10-000	521C 4
48191-08K00-000	435B 12	51110-08K10-000	521A 9	51156-33G10-000	521C 20
48191-08K00-000	435C 12	51110-08K10-000	521A 25	51156-36030-000	521B 4
48191-08K00-000	970A 1	51110-08K10-000	521C 9	51156-36030-000	521B 20
48211-08K00-PGZ	435A 2-1	51110-08K10-000	521C 25	51156-36030-000	521D 4
48211-08K00-QMV	435C 2-3	51117-33G10-000	521A 6	51156-36030-000	521D 20
48211-08K00-QTZ	435C 2-4	51117-33G10-000	521A 22	51169-48500-000	521B 15
48211-08K00-SAB	435A 2-2	51117-33G10-000	521C 6	51169-48500-000	521B 31
48211-08K00-SAB	435B 2-1	51117-33G10-000	521C 22	51169-48500-000	521D 15
48211-08K00-YBA	435A 2-3	51117-43EC0-000	521B 6	51169-48500-000	521D 31
48211-08K00-YBA	435B 2-2	51117-43EC0-000	521B 22	51171-08K00-000	521B 14
48211-08K00-YKV	435C 2-1	51117-43EC0-000	521D 6	51171-08K00-000	521B 30
48211-08K00-YPA	435A 2-4	51117-43EC0-000	521D 22	51171-08K00-000	521D 14
48211-08K00-YPA	435B 2-3	51131-08K00-13L	521B 2	51171-08K00-000	521D 30
48211-08K00-YPA	435C 2-2	51131-08K00-13L	521D 2-2	51171-08K10-000	521A 14
48211-08K00-YVB	435A 2-5	51131-08K00-291	521D 2-1	51171-08K10-000	521A 30
48211-08K00-YVB	435B 2-4	51131-08K10-13L	521A 2	51171-08K10-000	521C 14
48214-08K00-000	435A 6	51131-08K10-13L	521C 2-2	51171-08K10-000	521C 30
48214-08K00-000	435B 6	51131-08K10-291	521C 2-1	51173-25030-000	521B 5
48214-08K00-000	435C 6	51141-08K00-13L	521B 18	51173-25030-000	521B 21
48221-08K00-PGZ	435A 3-1	51141-08K00-13L	521D 18-2	51173-25030-000	521D 5
48221-08K00-QMV	435C 3-3	51141-08K00-291	521D 18-1	51173-25030-000	521D 21
48221-08K00-QTZ	435C 3-4	51141-08K10-13L	521A 18	51173-33G10-000	521A 5
48221-08K00-SAB	435A 3-2	51141-08K10-13L	521C 18-2	51173-33G10-000	521A 21
48221-08K00-SAB	435B 3-1	51141-08K10-291	521C 18-1	51173-33G10-000	521C 5
48221-08K00-YBA	435A 3-3	51146-08K10-000	521A 10	51173-33G10-000	521C 21
48221-08K00-YBA	435B 3-2	51146-08K10-000	521A 26	51175-08K00-000	521B 16
48221-08K00-YKV	435C 3-1	51146-08K10-000	521C 10	51175-08K00-000	521B 32
48221-08K00-YPA	435A 3-4	51146-08K10-000	521C 26	51175-08K00-000	521D 16
48221-08K00-YPA	435B 3-3	51147-31030-000	521B 7	51175-08K00-000	521D 32

PART NO.	FIG. NO.-REFNO.	PART NO.	FIG. NO.-REFNO.	PART NO.	FIG. NO.-REFNO.
51177-08K00-000	521B 13	51631-05000-000	524B 11	54455-08K00-000	530B 14
51177-08K00-000	521B 29	51631-05000-000	524B 12	54455-08K00-000	530D 14
51177-08K00-000	521D 13	51643-06001-000	524A 6	54711-11F00-000	530A 7
51177-08K00-000	521D 29	51643-06001-000	524B 6	54711-11F00-000	530B 5
51177-33G10-000	521A 13	53110-02L00-PGZ	460A 1-1	54711-11F00-000	530C 5
51177-33G10-000	521A 29	53110-02L00-QMV	460C 1-3	54711-11F00-000	530D 5
51177-33G10-000	521C 13	53110-02L00-QTZ	460C 1-4	54711-11F00-000	530E 5
51177-33G10-000	521C 29	53110-02L00-SAB	460A 1-2	54731-02L00-000	530C 4
51189-08K10-000	521A 16	53110-02L00-SAB	460B 1-1	54731-02L00-000	530E 4
51189-08K10-000	521A 32	53110-02L00-YBA	460A 1-3	54740-08K00-000	530A 9
51189-08K10-000	521C 16	53110-02L00-YBA	460B 1-2	54740-08K00-000	530B 7
51189-08K10-000	521C 32	53110-02L00-YKV	460C 1-1	54740-08K00-000	530D 7
51194-08K00-000	521B 10	53110-02L00-YPA	460A 1-4	54751-02L00-000	530C 7
51194-08K00-000	521B 26	53110-02L00-YPA	460B 1-3	54751-02L00-000	530E 7
51194-08K00-000	521D 10	53110-02L00-YPA	460C 1-2	54841-23J00-000	530A 8
51194-08K00-000	521D 26	53110-02L00-YVB	460A 1-5	54841-23J00-000	530B 6
51195-26B00-000	521B 11	53110-02L00-YVB	460B 1-4	54841-23J00-000	530C 6
51195-26B00-000	521B 27	53112-08K00-291	460A 2	54841-23J00-000	530D 6
51195-26B00-000	521D 11	53112-08K00-291	460B 2	54841-23J00-000	530E 6
51195-26B00-000	521D 27	53112-08K00-291	460C 2	55110-08K00-000	530A 22-1
51195-33G50-000	521A 11	54110-08K10-13L	530A 1	55110-08K00-000	530B 20-1
51195-33G50-000	521A 27	54111-08K50-13L	530C 1	55110-08K00-000	530D 20-1
51195-33G50-000	521C 11	54111-08K50-13L	530E 1-1	55110-08K20-000	530C 9-1
51195-33G50-000	521C 27	54111-08K70-019	530E 1-2	55110-08K20-000	530E 9-1
51196-08K00-000	521B 12	54150-08K00-019	530D 1-1	55110-08K51-000	530A 22-2
51196-08K00-000	521B 28	54150-08K00-13L	530B 1	55110-08K51-000	530B 20-2
51196-08K00-000	521D 12	54150-08K00-13L	530D 1-2	55110-08K51-000	530C 9-2
51196-08K00-000	521D 28	54210-08K30-019	530D 9-1	55110-08K51-000	530D 20-2
51196-33G10-000	521A 12	54210-08K30-13L	530A 11	55110-08K51-000	530E 9-2
51196-33G10-000	521A 28	54210-08K30-13L	530B 9	55110-25J00-000	550A 12-1
51196-33G10-000	521C 12	54210-08K30-13L	530D 9-2	55110-25J00-000	550C 10-1
51196-33G10-000	521C 28	54267-33G00-000	530A 19	55110-25J00-000	550E 10-1
51351-33G10-000	521A 15	54267-33G00-000	530B 17	55110-25J20-000	550B 10-1
51351-33G10-000	521A 31	54267-33G00-000	530D 17	55110-25J20-000	550D 10-1
51351-33G10-000	521C 15	54400-08820-000	530A 12	55110-25J51-000	550A 12-2
51351-33G10-000	521C 31	54400-08820-000	530B 10	55110-25J51-000	550B 10-2
51358-09G00-000	462A 2	54400-08820-000	530D 10	55110-25J51-000	550C 10-2
51358-09G00-000	462B 2	54424-28G00-000	530A 13	55110-25J51-000	550D 10-2
51358-09G00-000	462C 2	54424-28G00-000	530B 11	55110-25J51-000	550E 10-2
51358-09G00-000	462D 2	54424-28G00-000	530D 11	55310-08K00-13L	530A 2
51410-08K00-000	524A 1	54424-28G00-000	550A 5	55310-39J30-13L	550A 2
51410-08K10-000	524B 1	54424-28G00-000	550B 3	55900-08K30-000	531A 1
51434-08K00-000	524A 3	54424-28G00-000	550C 3	55910-08K00-000	537A 1
51434-08K10-000	524B 3	54424-28G00-000	550D 3	55925-40J00-000	537A 2
51435-33G10-000	524B 13	54424-28G00-000	550E 3	55930-08K30-000	531A 6
51611-41H01-000	524A 5	54441-08K10-000	530A 21	55933-08K00-000	537A 11
51611-41H01-000	524B 5	54441-08K10-000	530B 19	55935-08K20-000	531A 2
51612-41H01-000	524A 4	54441-08K10-000	530D 19	55935-40J00-000	537A 3
51612-41H01-000	524B 4	54443-28G00-000	530A 18	55936-40J00-000	537A 4
51621-41H00-000	524A 8	54443-28G00-000	530B 16	55937-08K20-000	531A 3
51621-41H00-000	524B 8	54443-28G00-000	530D 16	55938-40J00-000	537A 5
51622-41H00-000	524A 2	54451-08K00-000	530A 14	55953-08K20-000	531A 7
51622-41H00-000	524B 2	54451-08K00-000	530B 12	55954-08K20-000	531A 4
51631-05000-000	524A 11	54451-08K00-000	530D 12	56110-02L00-000	462A 1
51631-05000-000	524A 12	54455-08K00-000	530A 16	56110-02L00-000	462B 1

PART NO.	FIG. NO.-REFNO.	PART NO.	FIG. NO.-REFNO.	PART NO.	FIG. NO.-REFNO.
56110-02L10-000	462C 1	57431-39J10-000	467A 8	58620-08K20-000	462D 24
56110-02L10-000	462D 1	57431-39J10-000	467B 8	58623-08K00-000	462A 24
56311-02L00-PGZ	463A 1-1	57500-08K00-000	467B 13	58623-08K00-000	462B 24
56311-02L00-QMV	463C 1-3	57500-39J60-000	467A 13	58623-08K00-000	462C 9
56311-02L00-QTZ	463C 1-4	57511-39J50-000	467A 14	58623-08K00-000	462D 9
56311-02L00-SAB	463A 1-2	57520-08K00-000	467B 17	58623-27K00-000	339A 4
56311-02L00-SAB	463B 1-1	57523-08K00-000	467B 18	59100-38860-000	535A 3
56311-02L00-YBA	463A 1-3	57523-39J10-000	467A 5	59121-01A00-000	535A 4
56311-02L00-YBA	463B 1-2	57523-39J10-000	467B 9	59122-01A00-000	535A 5
56311-02L00-YKV	463C 1-1	57524-08K00-000	467B 19	59145-37F00-000	535A 6
56311-02L00-YPA	463A 1-4	57621-08K00-000	467B 14	59218-34J00-000	530C 11
56311-02L00-YPA	463B 1-3	57621-39J00-000	467A 15	59218-34J00-000	530E 11
56311-02L00-YPA	463C 1-2	58110-08K40-000	462C 21	59221-08K00-000	530C 12
56311-02L00-YVB	463A 1-5	58110-08K40-000	462D 21	59221-08K00-000	530E 12
56311-02L00-YVB	463B 1-4	58110-08K50-000	462C 22	59260-08K10-000	537A 12
56312-02L00-000	463A 3	58110-08K50-000	462D 22	59267-08K00-000	537A 13
56312-02L00-000	463B 3	58110-44K01-000	462A 9	59270-44K00-000	537A 14
56312-02L00-000	463C 3	58110-44K01-000	462B 9	59300-08850-000	535A 7
56321-02L00-291	463A 2	58162-08K00-000	462C 26	59300-08860-000	535A 2
56321-02L00-291	463B 2	58162-08K00-000	462D 26	59300-08K50-000	535A 1
56321-02L00-291	463C 2-1	58164-08K00-000	462C 27	59303-14500-000	535A 8
56321-02L10-U1G	463C 2-2	58164-08K00-000	462D 27	59314-13A00-000	535A 9
56500-28GA0-000	462A 5	58165-08K00-000	462C 28	59315-08K00-000	535A 10
56500-28GA0-000	462C 5	58165-08K00-000	462D 28	59333-08K00-000	535A 11
56500-33GMO-000	462B 5	58300-02L00-000	462A 10	59345-08K00-000	535A 12
56500-33GMO-000	462D 5	58300-02L00-000	462B 10	59351-08K00-000	535A 13
56500-33GMO-000	970C 1	58300-02L00-000	462C 10	59382-13A00-000	535A 14
56533-33G60-000	462A 6	58300-02L00-000	462D 10	59386-13A00-000	535A 15
56533-33G60-000	462A 8	58300-02L10-000	462A 11	59387-41HA0-000	535A 16
56533-33G60-000	462B 6	58300-02L10-000	462B 11	59388-41HA0-000	535A 17
56533-33G60-000	462B 8	58300-02L10-000	462C 11	59480-08K10-000	537A 16
56533-33G60-000	462C 6	58300-02L10-000	462D 11	59492-30H30-000	537A 17
56533-33G60-000	462C 8	58510-08K30-000	462A 13	59600-21810-000	537A 6
56533-33G60-000	462D 6	58510-08K30-000	462B 13	59666-44300-000	537A 7
56533-33G60-000	462D 8	58510-08K40-000	462A 14	59730-44K00-000	537A 24
56600-28GA0-000	462A 7	58510-08K40-000	462B 14	59735-17C00-000	537A 25
56600-28GA0-000	462C 7	58510-08K50-000	462C 12	59740-08K00-000	537A 20
56600-33GMO-000	462B 7	58510-08K50-000	462D 12	59750-08K00-000	537A 28
56600-33GMO-000	462D 7	58562-08K00-000	462A 15		
57100-02L00-000	467A 2	58562-08K00-000	462B 15		
57100-02L00-000	467B 2	58562-08K00-000	462C 13		
57110-30H10-000	467A 1	58562-08K00-000	462D 13		
57110-30H10-000	467B 1	58575-39J00-000	462A 18		
57211-22D11-000	467A 12	58575-39J00-000	462B 18		
57211-22D11-000	467B 12	58575-39J00-000	462C 16		
57216-02L00-000	462A 26	58575-39J00-000	462D 16		
57216-02L00-000	462B 26	58577-39J10-000	462A 20		
57216-02L00-000	462C 31	58577-39J10-000	462B 20		
57216-02L00-000	462D 31	58577-39J10-000	462C 18		
57300-39J60-000	467B 4	58577-39J10-000	462D 18		
57300-39J80-000	467A 4	58620-02L00-000	462A 21		
57421-39J50-000	467B 5	58620-02L00-000	462B 21		
57421-39J60-000	467A 7	58620-02L00-000	462C 19		
57431-08K00-000	467B 15	58620-02L00-000	462D 19		
57431-39J00-000	467A 16	58620-08K20-000	462C 24		

5

60000

SUZUKI GENUINE ACCESSORIES & MERCHANDISE



PART NO	ENGLISH NAME
99000F10417C000	WIND CHEATER



PART NO	ENGLISH NAME
99000F10595C00L	BURGMAN BLACK JACKET-L
99000F10595C0XL	BURGMAN BLACK JACKET-XL
99000F10595CXXL	BURGMAN BLACK JACKET-XXL



PART NO	ENGLISH NAME
99000F10585C00L	HAYABUSA T-SHIRT-L
99000F10585C0XL	HAYABUSA T-SHIRT-XL
99000F10585CXXL	HAYABUSA T-SHIRT-XXL



PART NO	ENGLISH NAME
99000F10597C00L	BLACK HOODIE-L
99000F10597C0XL	BLACK HOODIE-XL
99000F10597CXXL	BLACK HOODIE-XXL



PART NO	ENGLISH NAME
99000F10586C00L	HAYABUSA T-SHIRT (WHITE)-L
99000F10586C0XL	HAYABUSA T-SHIRT (WHITE)-XL
99000F10586CXXL	HAYABUSA T-SHIRT (WHITE)-XXL



PART NO	ENGLISH NAME
99000F10526C00L	MOTO GP JACKET-L
99000F10526C0XL	MOTO GP JACKET-XL
99000F10526CXXL	MOTO GP JACKET-XXL



PART NO	ENGLISH NAME
99000F10644C00M	HAYABUSA ROUND NECK T SHIRT WHITE- M
99000F10644C00L	HAYABUSA ROUND NECK T SHIRT WHITE- L
99000F10644C0XL	HAYABUSA ROUND NECK T SHIRT WHITE- XL
99000F10644CXXL	HAYABUSA ROUND NECK T SHIRT WHITE- XXL



PART NO	ENGLISH NAME
99000F10527C00L	TEAM SUZUKI PIT SHIRT-L
99000F10527C0XL	TEAM SUZUKI PIT SHIRT-XL
99000F10527CXXL	TEAM SUZUKI PIT SHIRT-XXL



PART NO	ENGLISH NAME
99000F10636C00M	HAYABUSA ROUND NECK T SHIRT- M
99000F10636C00L	HAYABUSA ROUND NECK T SHIRT- L
99000F10636C0XL	HAYABUSA ROUND NECK T SHIRT- XL
99000F10636CXXL	HAYABUSA ROUND NECK T SHIRT- XXL



PART NO	ENGLISH NAME
99000F10590C00L	SUZUKI ROUND NECK T-SHIRT-L (BLK/YLW)
99000F10590C0XL	SUZUKI ROUND NECK T-SHIRT-XL (BLK/YLW)
99000F10590CXXL	SUZUKI ROUND NECK T-SHIRT-XXL (BLK/YLW)

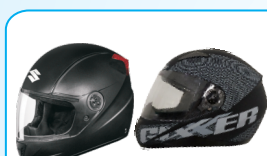
SUZUKI GENUINE ACCESSORIES & MERCHANDISE



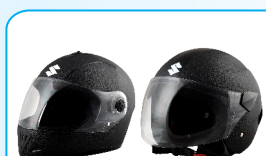
PART NO	ENGLISH NAME
99000F10410GB0M	HELMET_FF_BLK_M
99000F10410GB0L	HELMET_FF_BLK_L
99000F10410GBXL	HELMET_FF_BLK_XL
99000F10537CB0M	HELMET_FF_BLUE_M
99000F10537CB0L	HELMET_FF_BLUE_L
99000F10537CBXL	HELMET_FF_BLUE_XL



PART NO	ENGLISH NAME
99000F10532CD0M	HELMET_OF_DSTM_M
99000F10532CD0L	HELMET_OF_DSTM_L
99000F10561CB0M	HELMET_OF_BLK_M
99000F10561CB0L	HELMET_OF_BLK_L
99000F10561CBXL	HELMET_OF_BLK_XL



PART NO	ENGLISH NAME
99000F10410PB0L	HELMET_FF_BLK_L
99000F10410PBXL	HELMET_FF_BLK_XL
99000F10626C00M	HELMET_FF_MAT_BLK_M
99000F10626C00L	HELMET_FF_MAT_BLK_L
99000F10626C0XL	HELMET_FF_MAT_BLK_XL



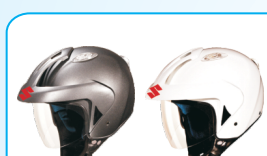
PART NO	ENGLISH NAME
99000F10650C00M	HELMET_ECO_FF_BLK_M
99000F10650C00L	HELMET_ECO_FF_BLK_L
99000F10650C0XL	HELMET_ECO_FF_BLK_XL
99000F10649C00M	HELMET_ECO_OF_BLK_M
99000F10649C00L	HELMET_ECO_OF_BLK_L
99000F10649C0XL	HELMET_ECO_OF_BLK_XL



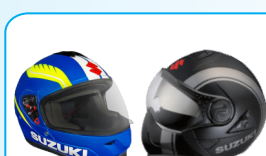
PART NO	ENGLISH NAME
99000F10532CR0M	HELMET_OF_RED_M
99000F10532CR0L	HELMET_OF_RED_L
99000F10532CRXL	HELMET_OF_RED_XL
99000F10532CB0M	HELMET_OF_BLU_M
99000F10532CB0L	HELMET_OF_BLU_L
99000F10532CBXL	HELMET_OF_BLU_XL



PART NO	ENGLISH NAME
99000F10587C000	HELMET_FF_BLK
99000F10571C00S	HELMET_OF_BLU_S



PART NO	ENGLISH NAME
99000F10410MG0M	HELMET_OF_GRY_M
99000F10410MG0L	HELMET_OF_GRY_L
99000F10410MW0M	HELMET_OF_WHT_M
99000F10410MW0L	HELMET_OF_WHT_L



PART NO	ENGLISH NAME
99000F10554CB0M	HELMET_FF_BLK_M
99000F10554CB0L	HELMET_FF_BLK_L
99000F10554CBXL	HELMET_FF_BLK_XL
99000F10654C00M	HELMET_FF_MOTO_GP_M
99000F10654C00L	HELMET_FF_MOTO_GP_L
99000F10654C0XL	HELMET_FF_MOTO_GP_XL



PART NO	ENGLISH NAME
99000F10422C00M	HELMET_OF_BLK_M
99000F10422C00L	HELMET_OF_BLK_L
99000F10422C0XL	HELMET_OF_BLK_XL
99000F10423C00M	HELMET_OF_WHT_M
99000F10423C00L	HELMET_OF_WHT_L
99000F10423C0XL	HELMET_OF_WHT_XL



PART NO	ENGLISH NAME
99000F10637C000	BLACK CAP
99000F10414C000	CAP

SUZUKI GENUINE ACCESSORIES



PART NO	ENGLISH NAME	MODEL
99000F10546C000	GARNISH COMBO KIT	
99000F10548C000	CENTER & FENDER, GARNISH SET	UZ125L7~
99000F10544C000	SIDE PROTECTOR, GARNISH SET	UZ125N~
99000F10545C000	TAIL LAMP, GARNISH SET	



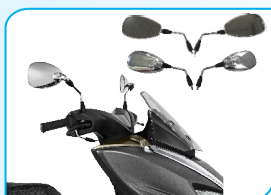
PART NO	ENGLISH NAME	MODEL
38850-39J00-000	TERMINAL, POWER SOURCE (MOBILE CHARGER)	UR110L7~ UZ125L7~
39100-44810-000	SOCKET, USB	UB125L9~
39105-44K00-000	SOCKET, USB	UZ125N~



PART NO	ENGLISH NAME	MODEL
56500-33GM0-000	MIRROR ASSY, REAR VIEW RH	UZ125L7~
56600-33GM0-000	MIRROR ASSY, REAR VIEW LH	UZ125N~



PART NO	ENGLISH NAME	MODEL
99000F10663C000	GRAPHICS SET-UZ125 (SILVER)	UZ125N~
99000F10664C000	GRAPHICS SET-UZ125 (BLACK)	



PART NO	ENGLISH NAME	MODEL
99000F10551C000	CHROME MIRROR LH	UB125L9~ GL150L8~
99000F10552C000	CHROME MIRROR RH	
99000F10553C000	CHROME MIRROR KIT	



PART NO	ENGLISH NAME	MODEL
99000F10665C000	GRAPHICS SET-UZ125 (FLORAL)	UZ125N~



PART NO	ENGLISH NAME	MODEL
43600-39820-000	TUBE SET, RR FOOTREST SIDE	UZ125L7~
43600-33830-000	FOOTREST SIDE TUBE	UZ125N~
43600-39830-000	TUBE SET, RR FOOTREST SIDE	UB125L9~



PART NO	ENGLISH NAME	MODEL
99000F10662C000	GRAPHICS SET-UZ125 (RED)	UZ125N~
99000F10661C000	GRAPHICS SET-UZ125 (BLUE)	



PART NO	ENGLISH NAME	MODEL
99000F10425C000	FLOOR MAT WITH LOCK	UZ125L7~

SUZUKI GENUINE ACCESSORIES



PART NO	ENGLISH NAME	QUANTITY	MODEL
94611-02L00-000	VISOR METER	1	UZ125N~
94620-02L00-000	BRACE METER VISOR R	1	
94630-02L00-000	BRACE METER VISOR L	1	
94640-02L00-000	JIG METER WISOR BRACE	1	
56533-02L00-000	BOLT ADAPTER UNDER	2	
56633-33G60-000	BOLT, ADAPTER UPPER	2	
94613-02L00-000	BOOT, MIRROR UPPER	2	
94614-02L00-000	BOOT, MIRROR LOWER	2	
09139-06028-000	SCREW,6X20	4	
09160-06088-000	WASHER (6.5X20X1.6)	4	
08313-2006B-000	NUT,FRONT LICENSE PLATE	4	
09180-06263-000	SPACER(6.5X9X9)	4	
94612-02L00-000	CUSHION METER VISOR	4	



PART NO	ENGLISH NAME	MODEL
99000F10594C000	SEAT COVER-BURGMAN	UB125EML9~



PART NO	ENGLISH NAME	MODEL
99000F10421C000	SEAT COVER MESH TYPE	UZ125L7~ UZ125N~



PART NO	ENGLISH NAME	MODEL
99000F10538C000	SEAT COVER-UZ125L7	UZ125L7~ UZ125N~

6



PART NO	ENGLISH NAME	MODEL
99000F10569CU1G	SEAT COVER-UZ125L7 (MAROON)	UZ125L7~ UZ125N~



PART NO	ENGLISH NAME	MODEL
99000F10591C000	BODY COVER- NEW ACCESS	UZ125L7~ UZ125N~



PART NO	ENGLISH NAME	MODEL
99000F10653C000	SEAT COVER-UZ125L7 (BROWN)	UZ125L7~ UZ125N~



PART NO	ENGLISH NAME	MODEL
99000F10593C000	BODY COVER BURGMAN	UB125EML9~

NOTE :- ALL ACCESSORY & APPAREL PRICES ARE AVAILABLE ON DRAS & MDMS.

SUZUKI GENUINE ACCESSORIES



PART NO	ENGLISH NAME	MODEL
92100-08820-U1G	BOX SET FRONT (MAROON)	UZ125EZL7~ UZ125EXL7~
92100-08811-291	BOX SET FRONT (BLACK)	UZ125EHL7~ UZ125EEL7~



PART NO	ENGLISH NAME
99000F10618C000	GRAPHICS-HAYABUSA LOGO



PART NO	ENGLISH NAME	MODEL
99000F10535CBLK	S LOGO KEY CHAIN- BLACK	ALL
99000F10535CBLU	S LOGO KEY CHAIN- BLUE	
99000F10535CWHT	S LOGO KEY CHAIN- WHITE	
99000F10535CTPT	S LOGO KEY CHAIN-TRNSPT	
99000F10555C000	MOTO-GP KEY CHAIN	



PART NO	ENGLISH NAME
99000F10638C000	BACK PACK



PART NO	ENGLISH NAME	MODEL
99000F10633C000	S LEATHER KEY CHAIN	ALL MODELS
99000F10641C000	GIXXER KEY CHAIN	



PART NO	ENGLISH NAME
99000F10424C000	BIKING GOGGLES



PART NO	ENGLISH NAME
99000F10558C000	CARRY BAG



PART NO	TYPE	PACK SIZE
990P0-59040-P60	ECSTAR BIKE CARE KIT	600ML



PART NO	ENGLISH NAME	MODEL
99000F10412C000	DECORATIVE VALVE CAP (SET)	ALL MODELS



PART NO	TYPE	PACK SIZE
990P0-26010-P30	LUSTER WAX	300ML

NOTE :- ALL ACCESSORY, APPAREL & CHEMICALS PRICES ARE AVAILABLE ON DRAS & MDMS.

SUZUKI GENUINE ENGINE OIL



6

IDEMITSU				IDEMITSU				CASTROL				CASTROL			
PART NO.	TYPE	GRADE	PACK SIZE	PART NO.	TYPE	GRADE	PACK SIZE	PART NO.	TYPE	GRADE	PACK SIZE	PART NO.	TYPE	GRADE	PACK SIZE
990P0-21040-001	10W-30	SEMI-SYNTHETIC	1Ltr.	990P0-21040-P70	10W-30	SEMI-SYNTHETIC	700ML	990P0-21030-001	10W-30	MINERAL	1Ltr	990P0-21030-P70	10W-30	MINERAL	700 ML

NOTE :- KINDLY PLACE THE OIL ORDERS DIRECTLY TO OUR AUTHORISED OIL COMPANY

SUZUKI UZ125NE/NH/ND/NEY/NDYM0, PART CATALOGUE

1ST EDITION

Published in 2019-11

© 2019 Suzuki Motor Corporation. All rights reserved.

No part of this document may be reproduced or transmitted in any form or by any means, electronic or mechanical, for any purpose, without the express written permission of Suzuki Motor Corporation.

SUZUKI MOTORCYCLE INDIA PRIVATE LIMITED,

Spare Parts Department

Village Kherki Dhaula, Badshahapur, NH-8,

Link Road, Gurgaon 12004 (HARYANA)

Reprint Prohibited (S)

1

INFORMATION
ILLUSTRATION INDEX

2

ENGINE
TRANSMISSION

3

ELECTRICAL

4

BODY

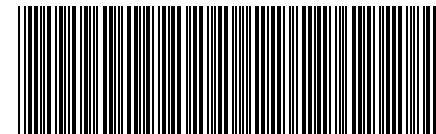
5

PARTS NUMBER INDEX

6

ACCESSORIES

SUZUKI MOTORCYCLE INDIA PVT. LTD.



9900BF33GP0C013

9900BF33GP0C013

Printed in India

